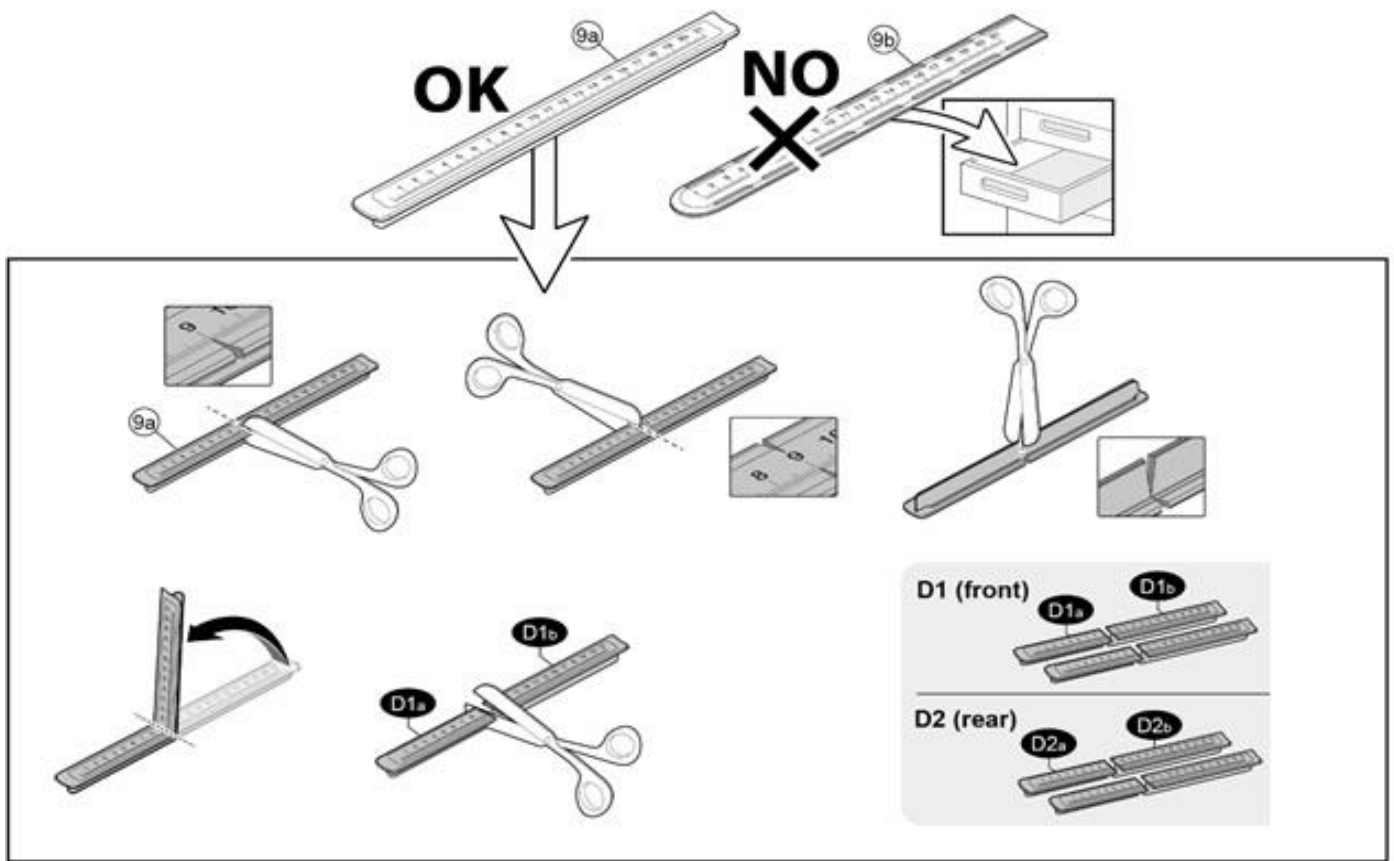


PAG. 4

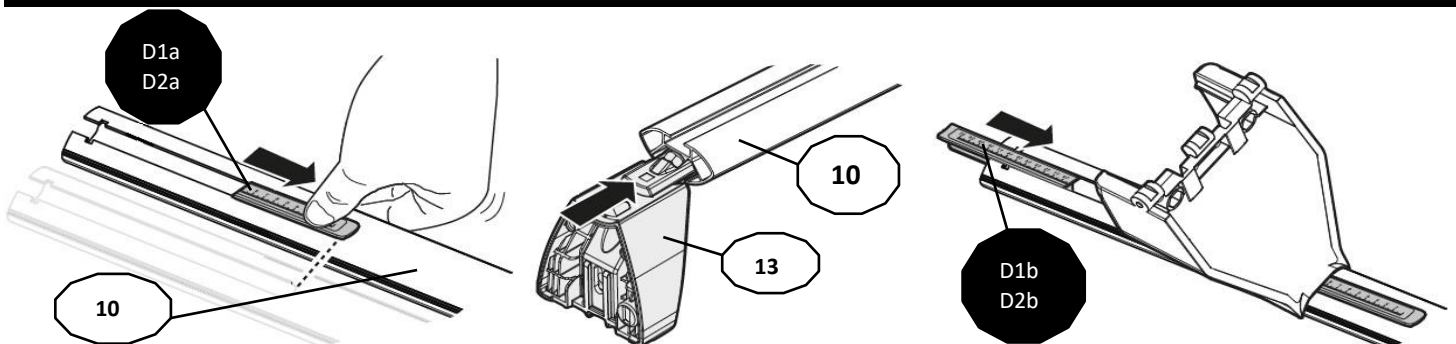
FIXING KIT DELTA

1

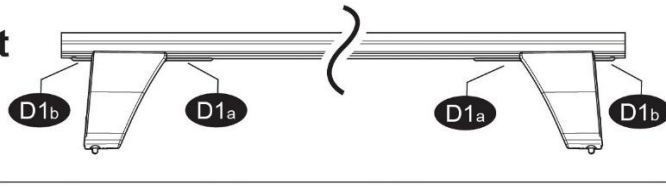


MANUFACTURER	MODEL CAR	DOORS	MODEL YEAR	D1	D2
CITROEN	C4	5	10>18	5,9	5,3

2



Front

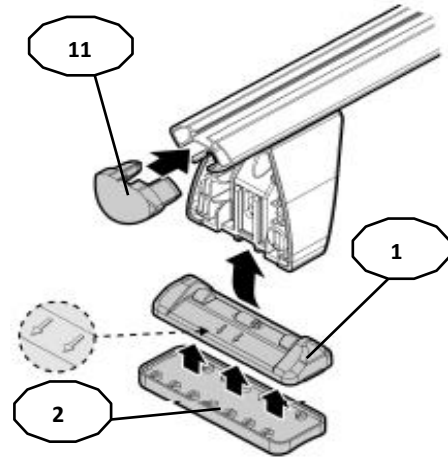
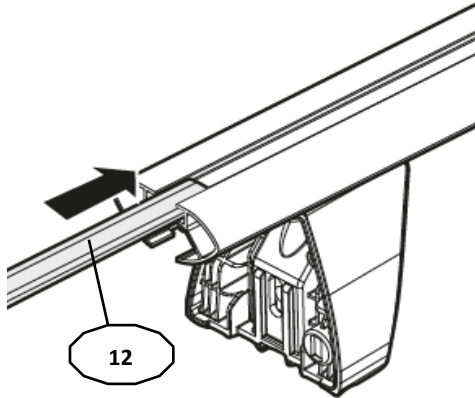


Rear

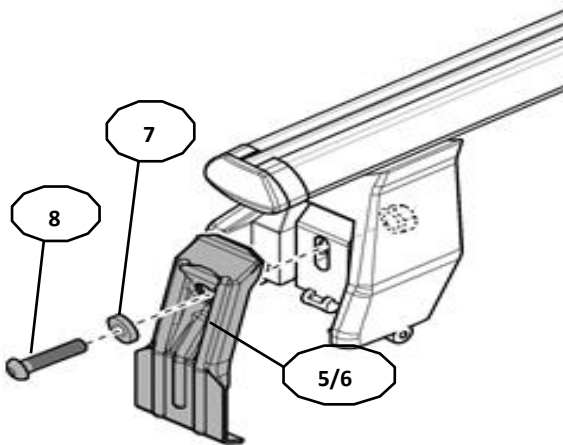


3

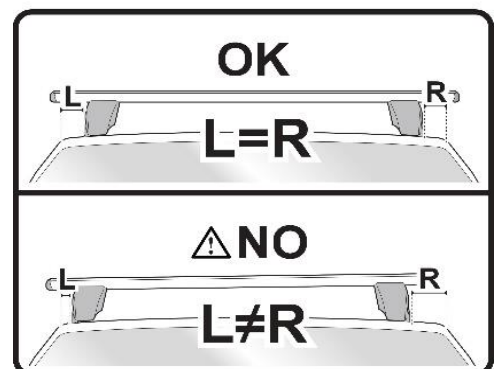
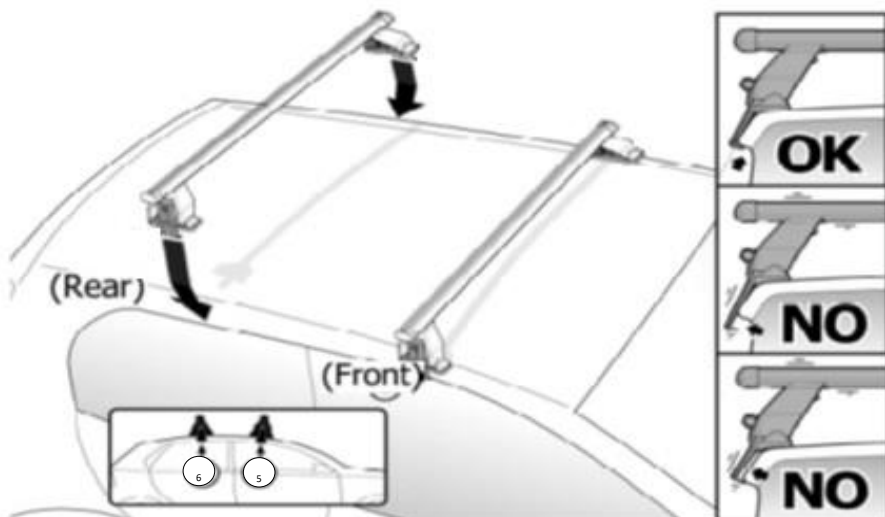
x4

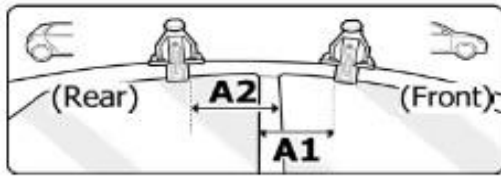


4

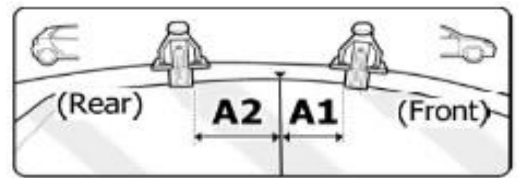


Front	Rear
5	6
1	3R
2X	2X





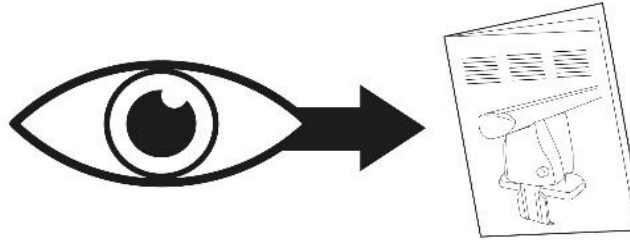
OR



MANUFACTURER	MODEL CAR	DOORS	MODEL YEAR	A1	A2	A1	A2
				cm	cm	in	in
CITROEN	C4	5	10>18	27	31	10,6	12,2

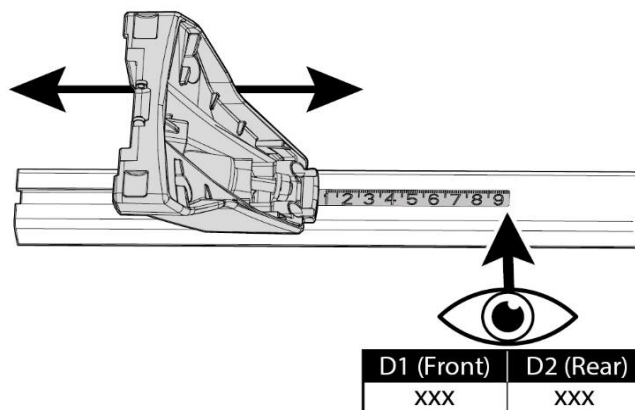
X = predisposizione originale /original arrangement

5



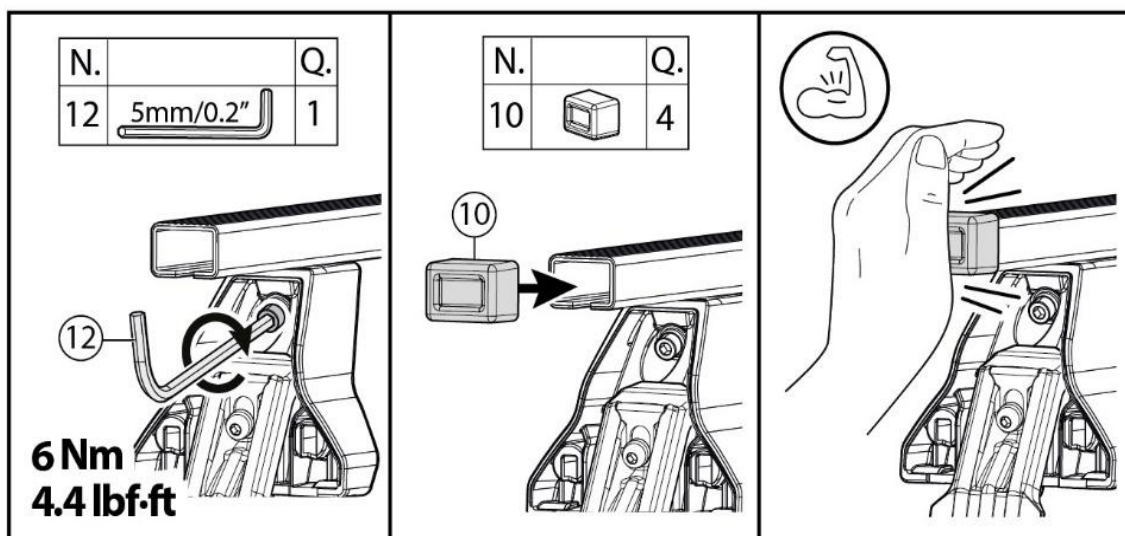
MANUAL DELTA

FIXING KIT OMEGA

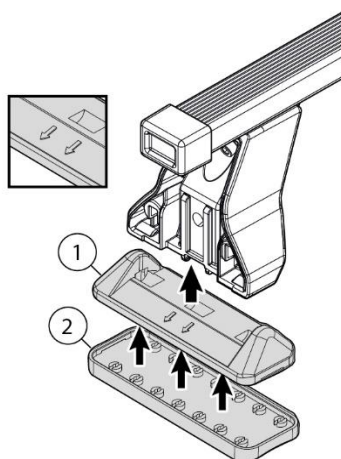


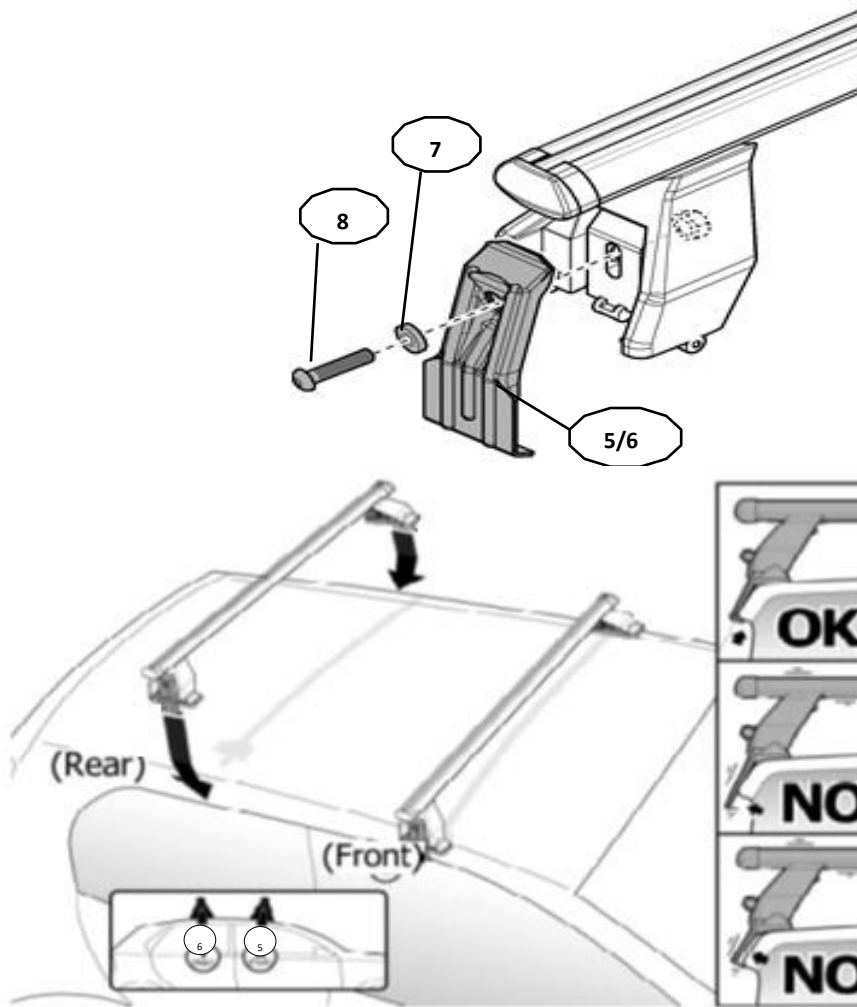
MANUFACTURER	MODEL CAR	DOORS	MODEL YEAR	A1	A2	A1	A2
				cm	cm	in	in
CITROEN	C4	5	10>18	27	31	10,6	12,2

3

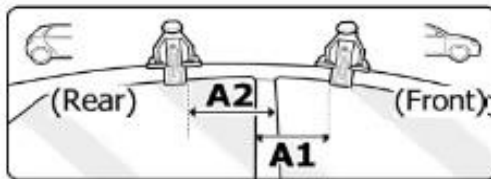
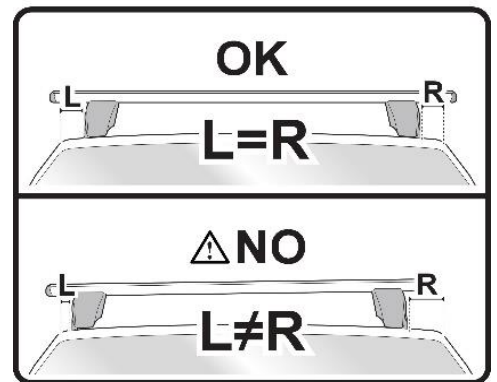


4

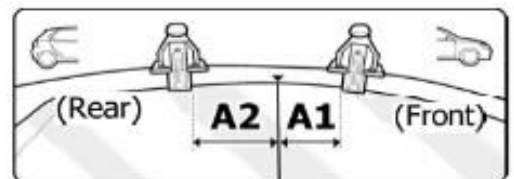




Front 5	Rear 6
1 2X	3R 2X

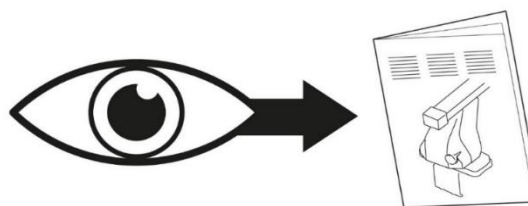


OR



MANUFACTURER	MODEL CAR	DOORS	MODEL YEAR	A1	A2	A1	A2
				cm	cm	in	in
CITROEN	C4	5	10>18	27	31	10,6	12,2

X = predisposizione originale /original arrangement



MANUAL OMEGA

NOTE:
