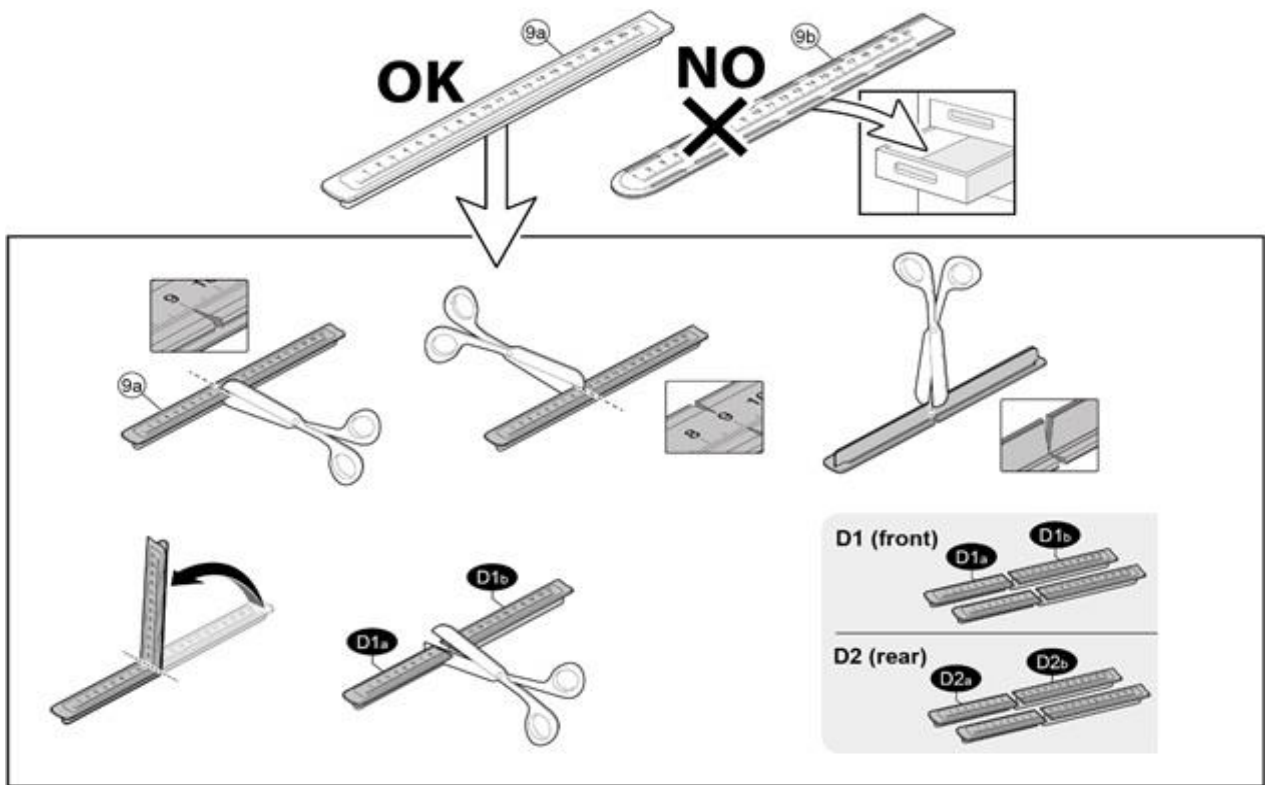


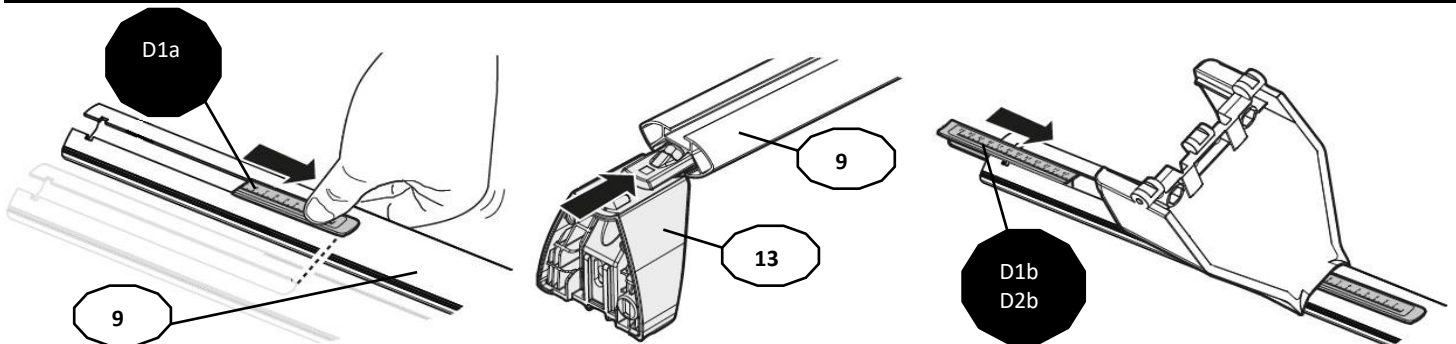
FIXING KIT DELTA

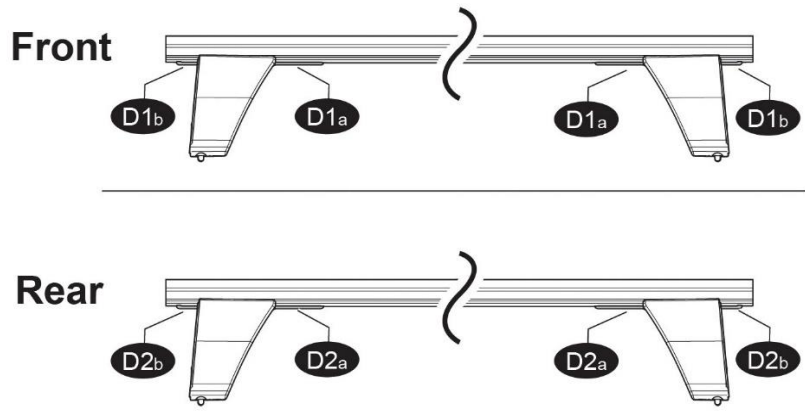
1



MANUFACTURER	MODEL CAR	DOORS	MODEL YEAR	D1	D2
RENAULT	Clio II	3	98>05	2,7	8,1
RENAULT	Clio Storia/Campus	3	05>12	2,7	8,1

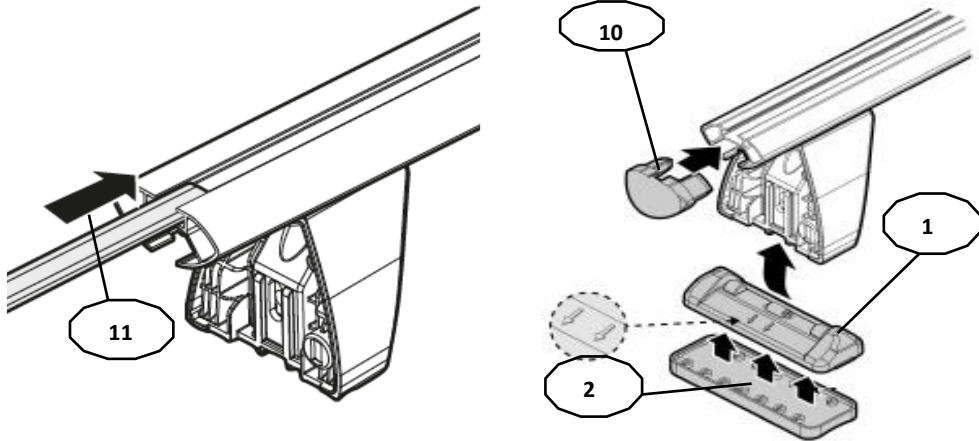
2



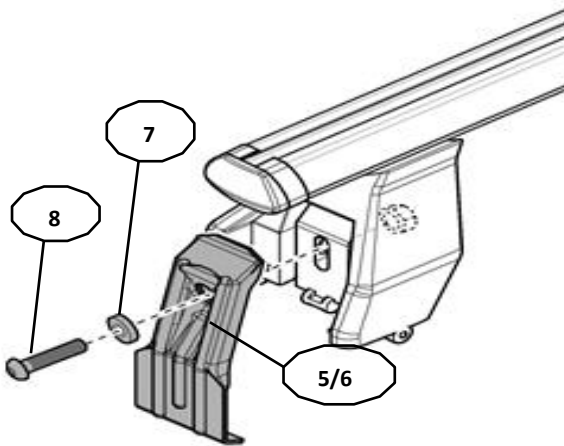


3

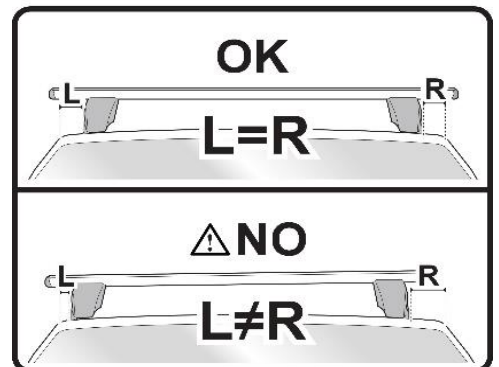
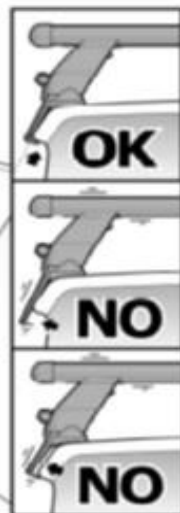
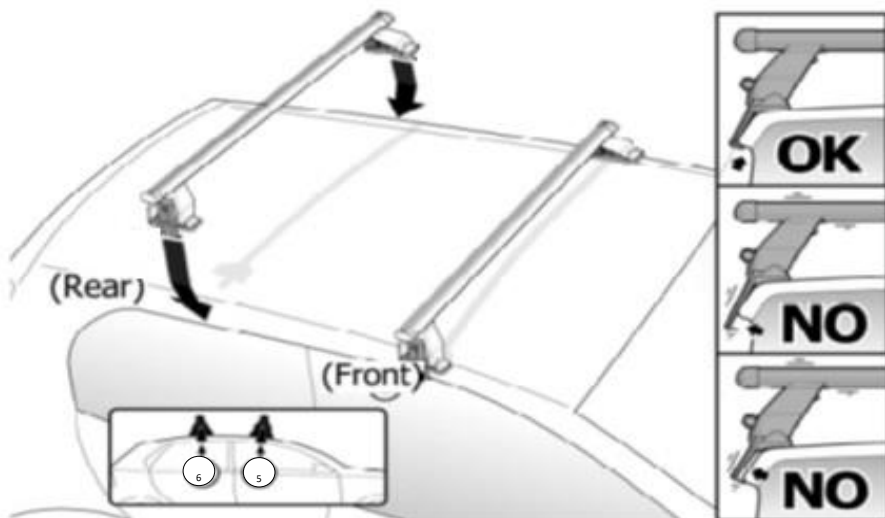
x4

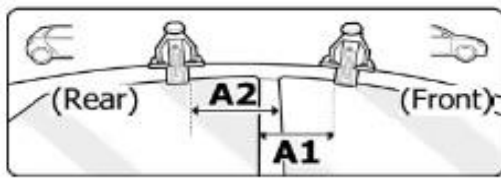


4

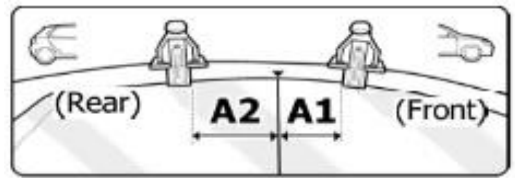


Front	Rear
5	6
29	11R
2X	2X





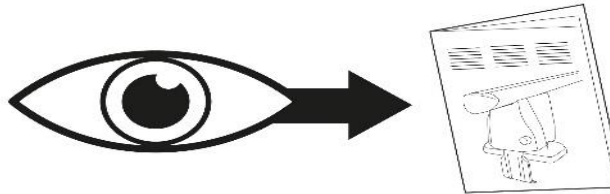
OR



MANUFACTURER	MODEL CAR	DOORS	MODEL YEAR	A1	A2	A1	A2
				cm	cm	in	in
RENAULT	Clio II	3	98>05	X	39	X	15,4
RENAULT	Clio Storia/Campus	3	05>12	X	39	X	15,4

X = predisposizione originale /original arrangement

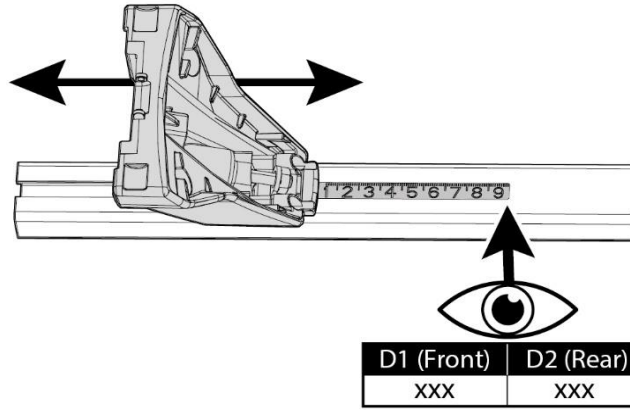
5



MANUAL DELTA

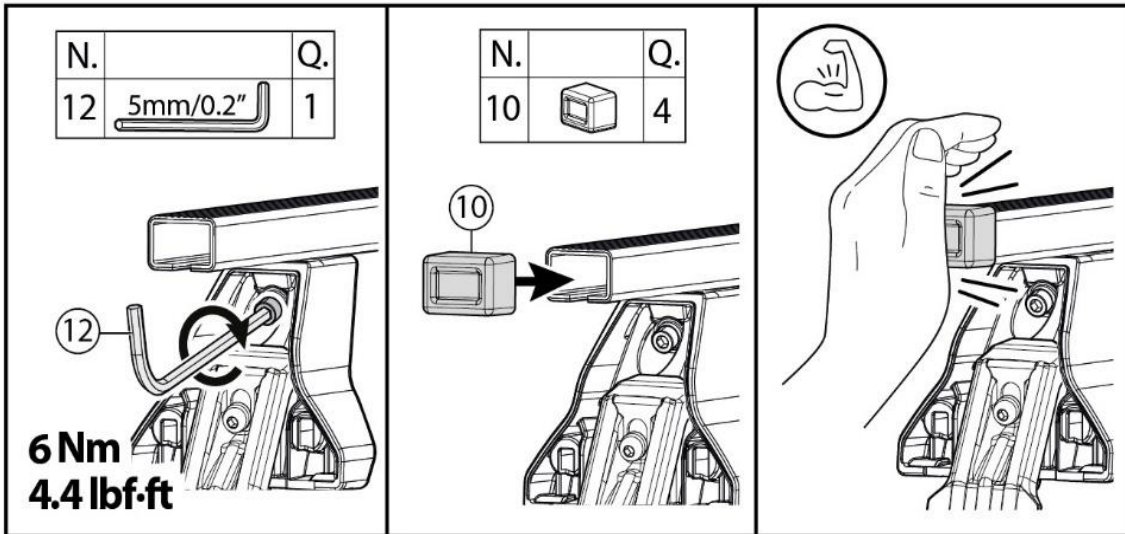
FIXING KIT OMEGA

2

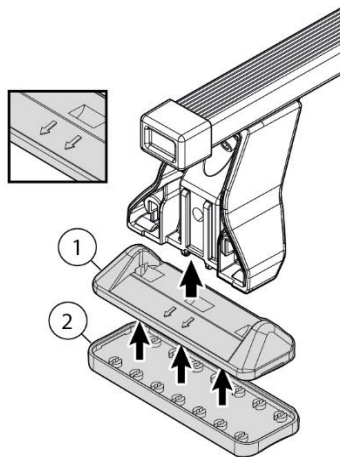


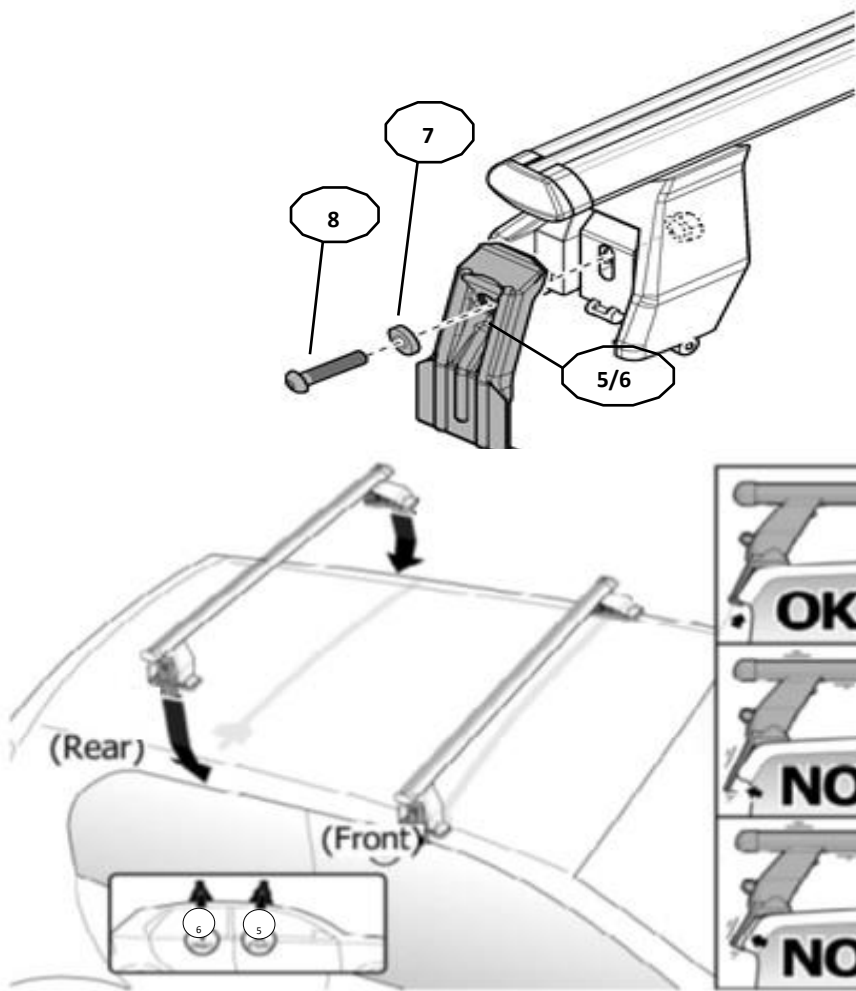
MANUFACTURER	MODEL CAR	DOORS	MODEL YEAR	D1	D2
RENAULT	Clio II	3	98>05	2,7	8,1
RENAULT	Clio Storia/Campus	3	05>12	2,7	8,1

3

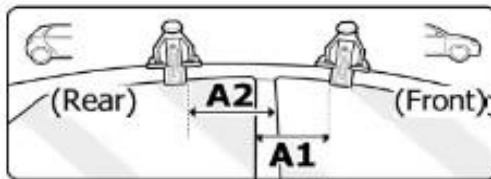
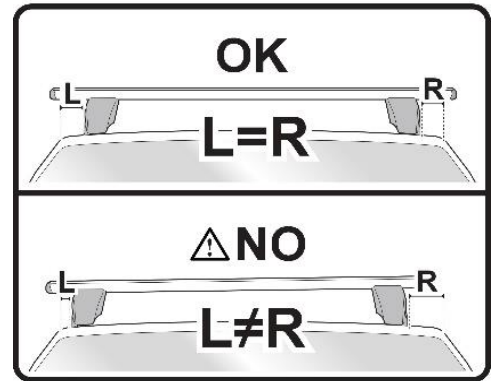


4

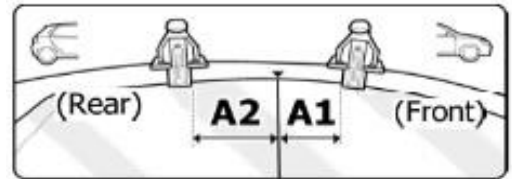




Front 5	Rear 6
29 2X	11R 2X

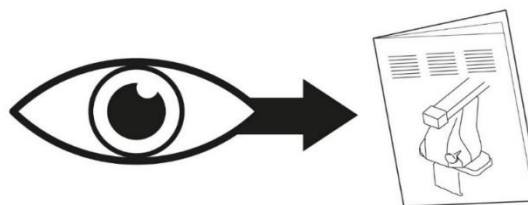


OR



MANUFACTURER	MODEL CAR	DOORS	MODEL YEAR	A1	A2	A1	A2
				cm	cm	in	in
RENAULT	Clio II	3	98>05	X	39	X	15,4
RENAULT	Clio Storia/Campus	3	05>12	X	39	X	15,4

X = predisposizione originale /original arrangement



MANUAL OMEGA

NOTE:
