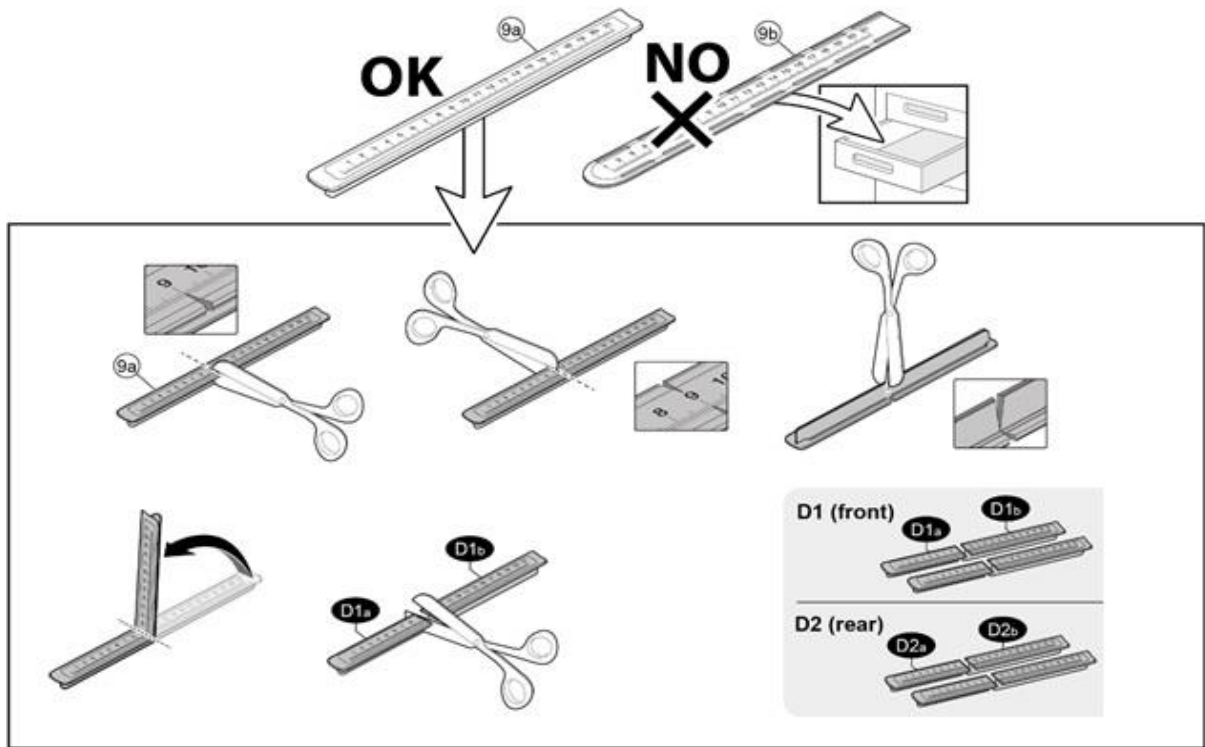


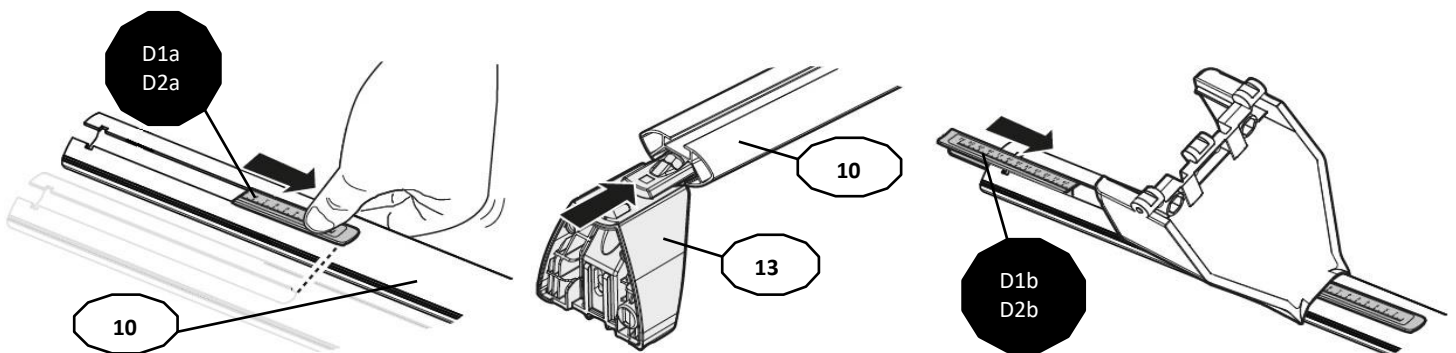
## FIXING KIT DELTA

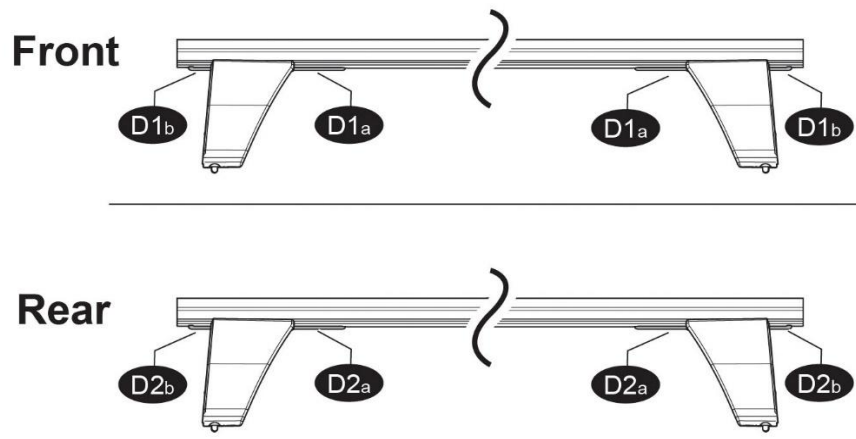
### 1



MANUFACTURER	MODEL CAR	DOORS	MODEL YEAR	D1	D2
LAND ROVER	Discovery Sport (L550)	5	15>19	10,4	11,0

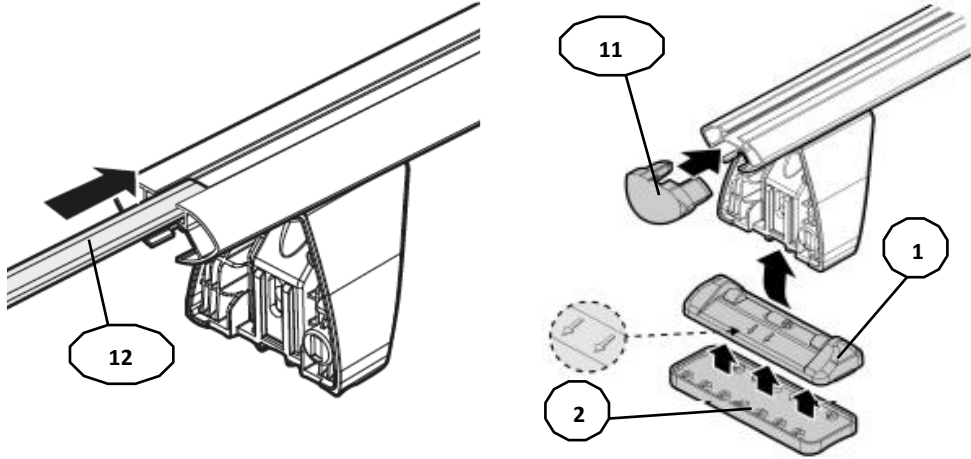
### 2



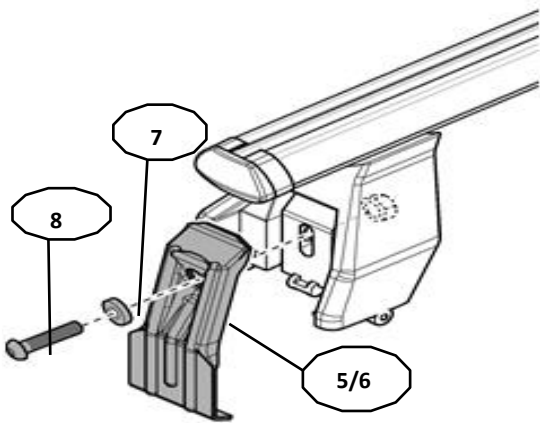


**3**

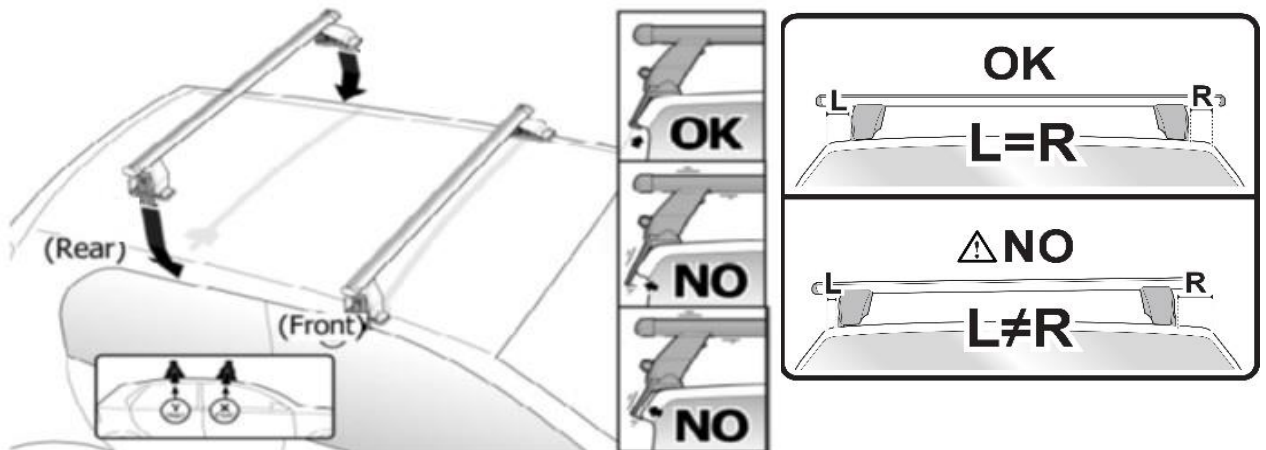
**x4**

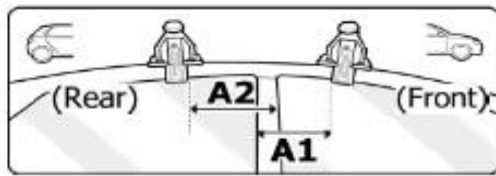


**4**

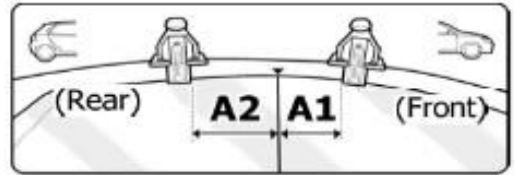


Front	Rear
5	6
14	38
2X	2X



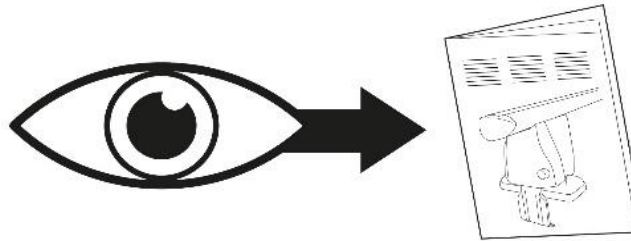


OR



MANUFACTURER	MODEL CAR	DOORS	MODEL YEAR	A1	A2	A1	A2
				cm	cm	in	in
LAND ROVER	Discovery Sport (L550)	5	15>19	23	45	9,1	17,7

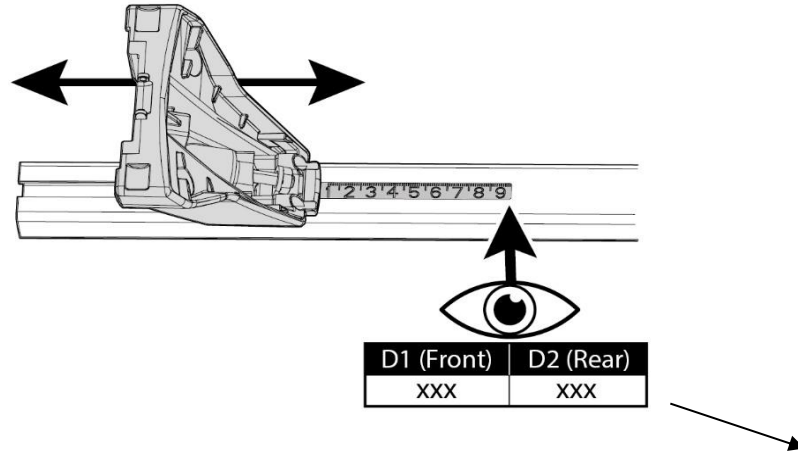
X = predisposizione originale /original arrangement



**MANUAL DELTA**

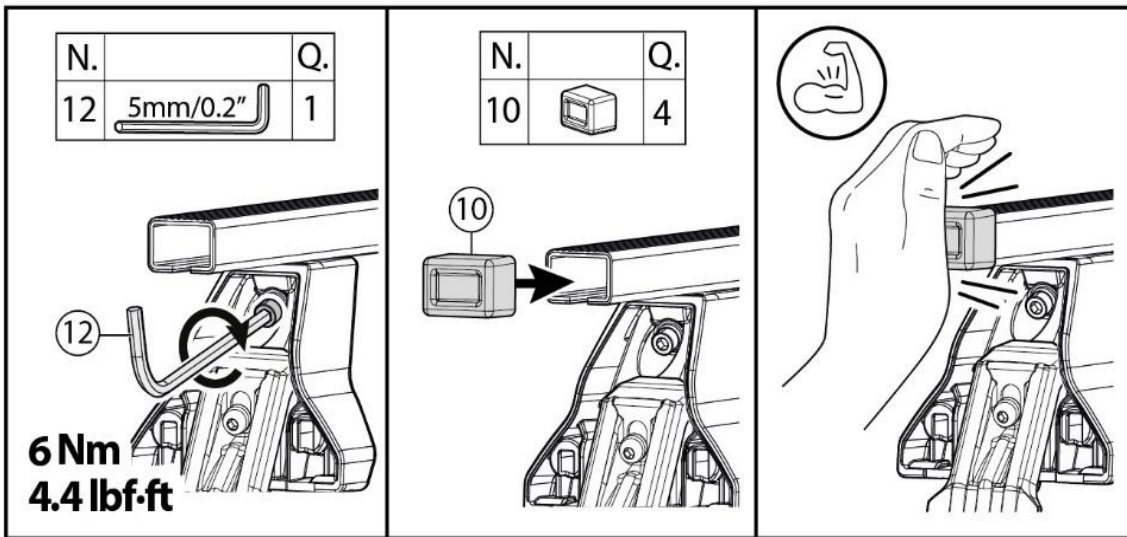
# FIXING KIT OMEGA

2

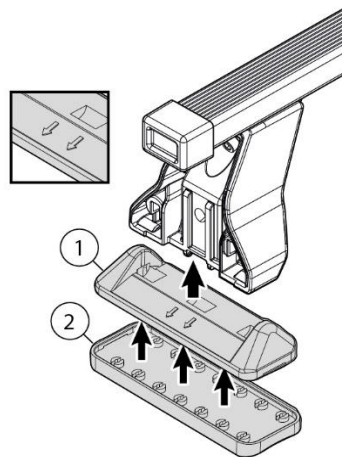


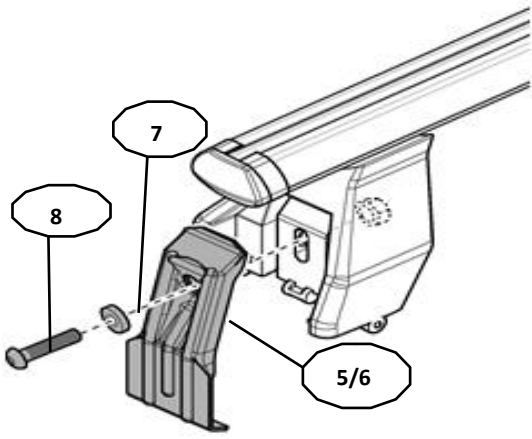
MANUFACTURER	MODEL CAR	DOORS	MODEL YEAR	D1	D2
LAND ROVER	Discovery Sport (L550)	5	15>19	10,4	11,0

3

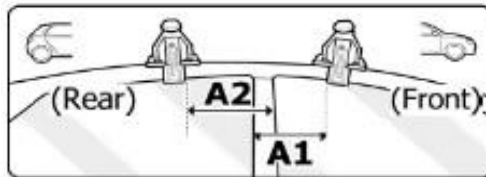
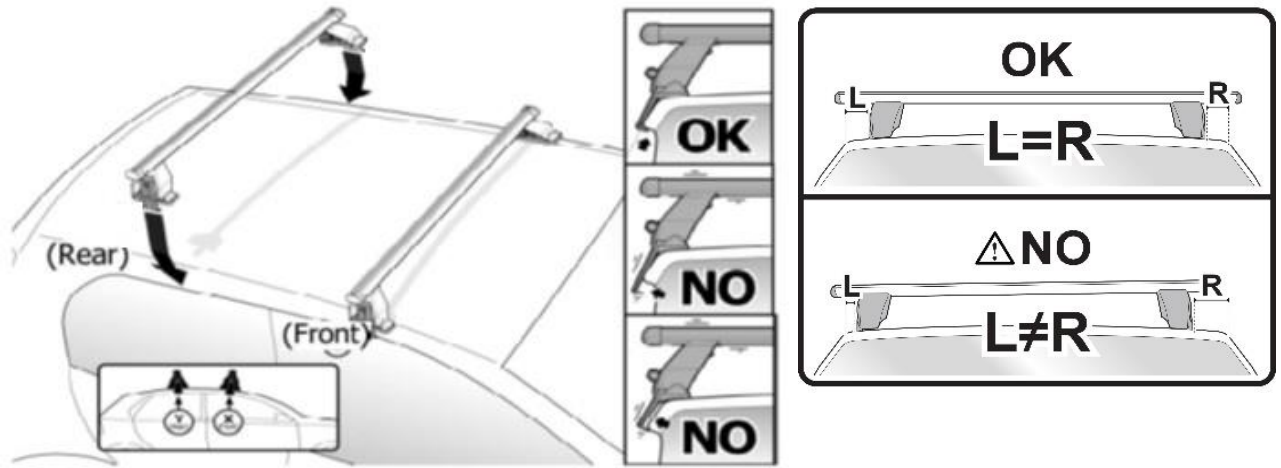


4

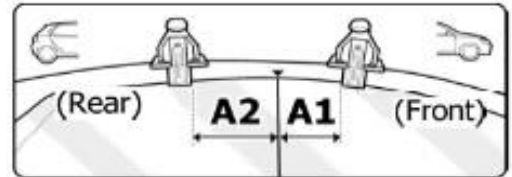




Front 5	Rear 6
14 2X	38 2X

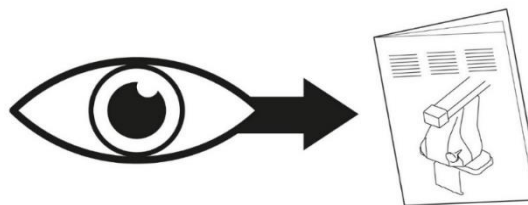


OR



MANUFACTURER	MODEL CAR	DOORS	MODEL YEAR	A1	A2	A1	A2
				cm	cm	in	in
LAND ROVER	Discovery Sport (L550)	5	15>19	23	45	9,1	17,7

X = predisposizione originale /original arrangement



MANUAL OMEGA

NOTE:

---

---

---

---