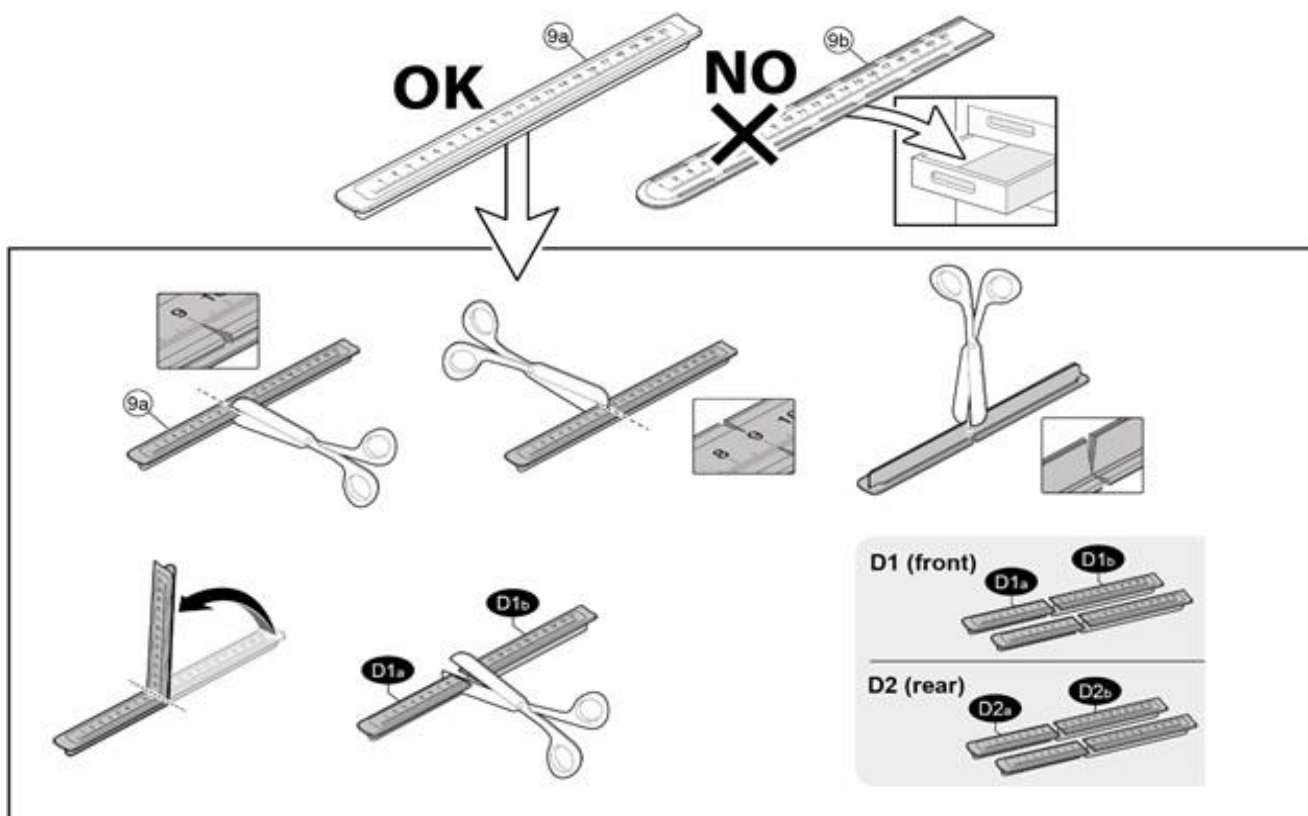


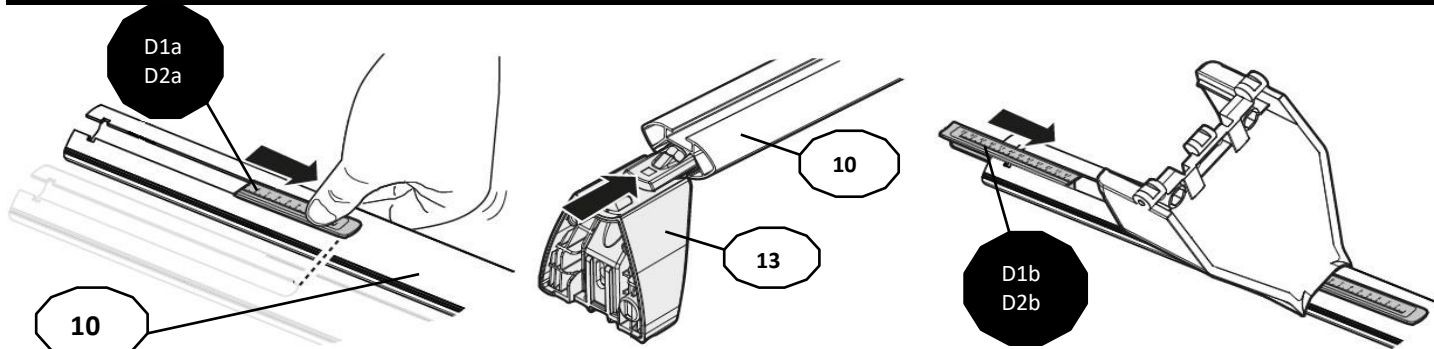
FIXING KIT DELTA

1

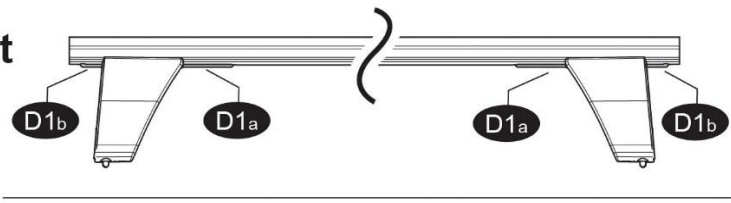


| MANUFACTURER | MODEL CAR | DOORS | MODEL YEAR | D1 | D2 |
|--------------|------------------------|-------|------------|-----|-----|
| FIAT | Punto II (188) | 5 | 99>07 | 9,3 | 8,4 |
| FIAT | Punto II Classic (188) | 5 | 07>10 | 9,3 | 8,4 |

2



Front

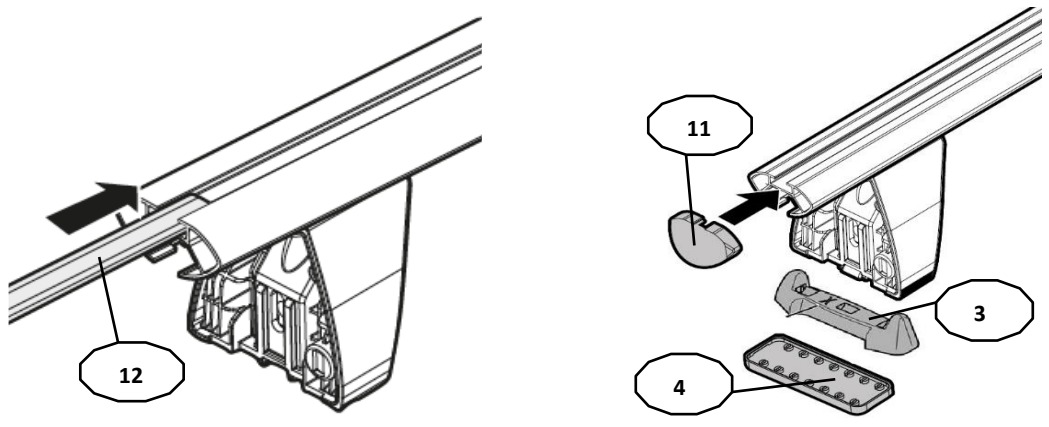


Rear

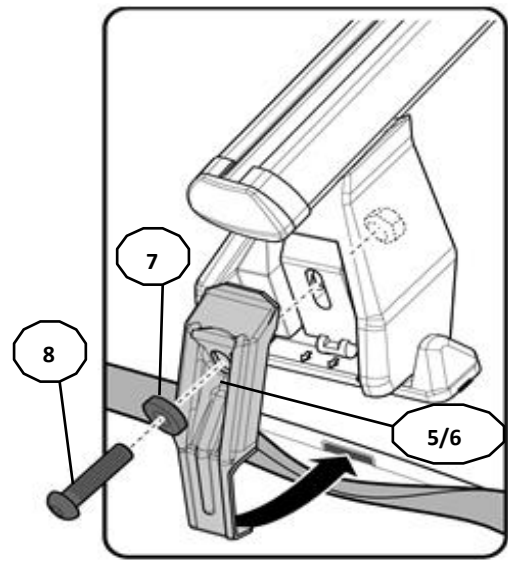
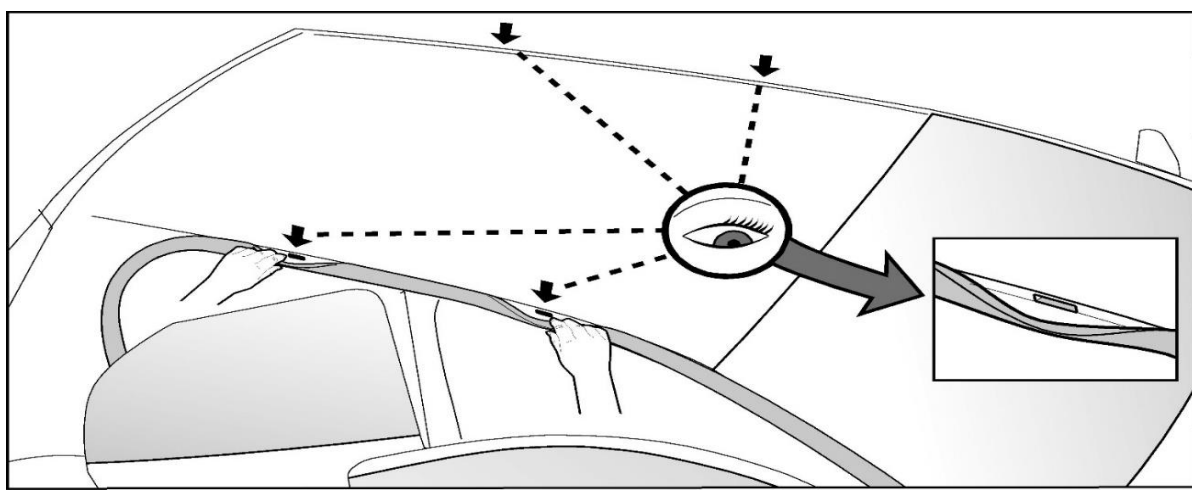


3

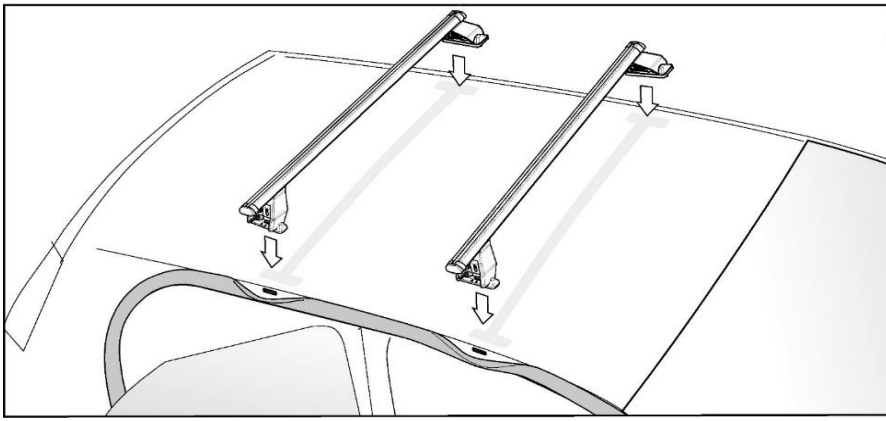
x4



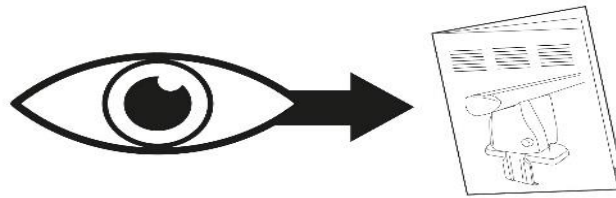
4



| | |
|-------|-------|
| Front | Front |
| 5 | 6 |
| | |
| 9 | |
| 4X | |



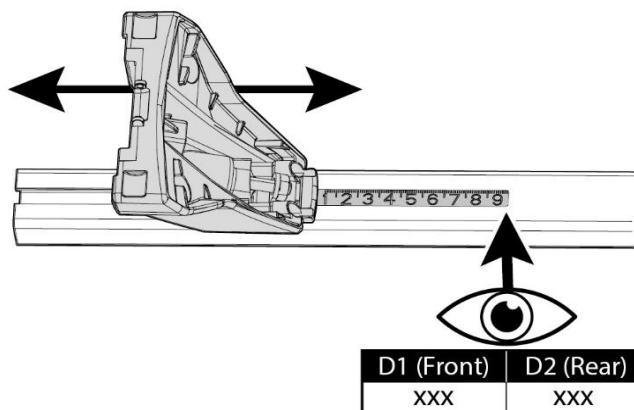
5



MANUAL DELTA

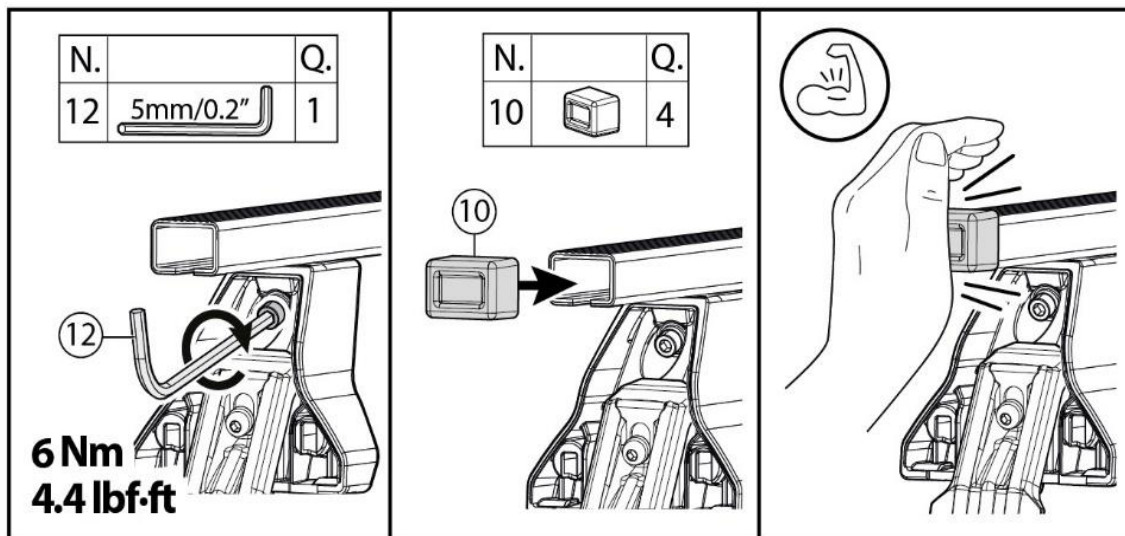
FIXING KIT OMEGA

2

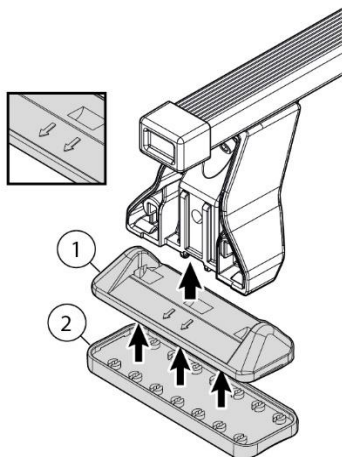


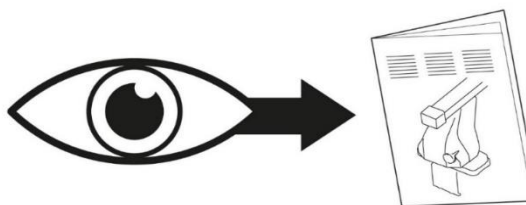
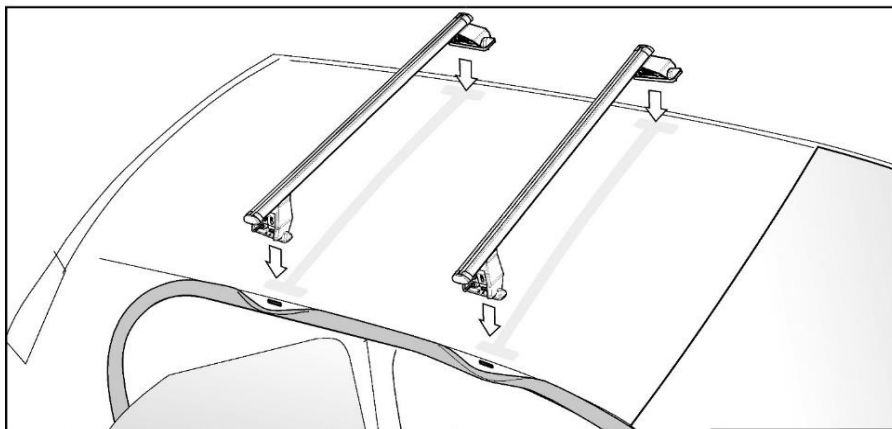
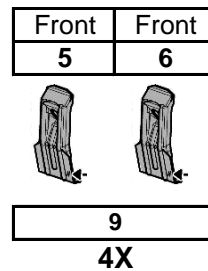
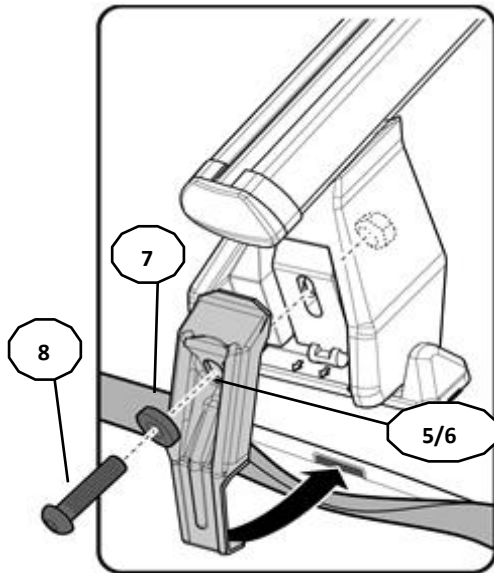
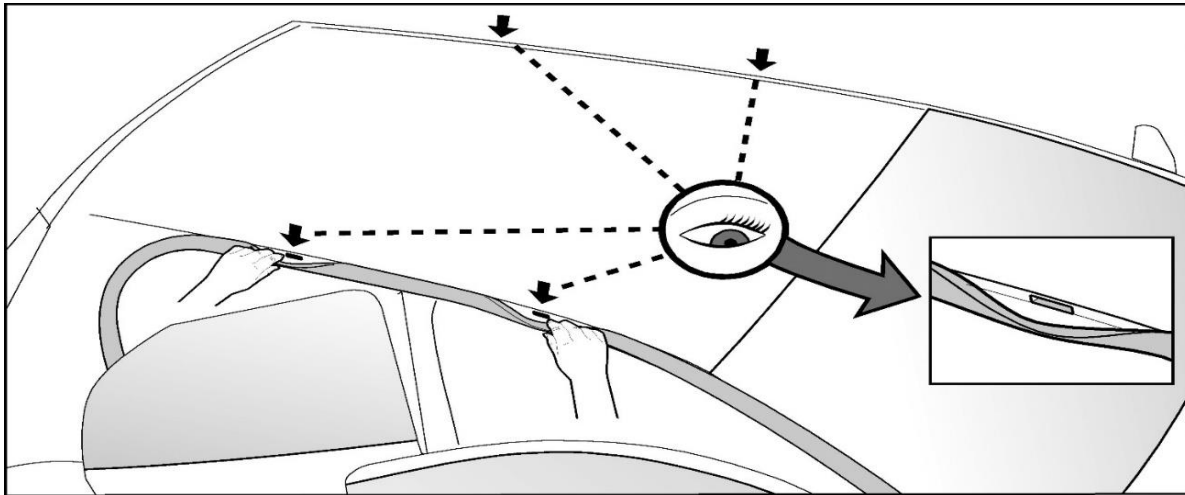
| MANUFACTURER | MODEL CAR | DOORS | MODEL YEAR | D1 | D2 |
|--------------|------------------------|-------|------------|-----|-----|
| FIAT | Punto II (188) | 5 | 99>07 | 9,3 | 8,4 |
| FIAT | Punto II Classic (188) | 5 | 07>10 | 9,3 | 8,4 |

3



4





MANUAL OMEGA

NOTE:
