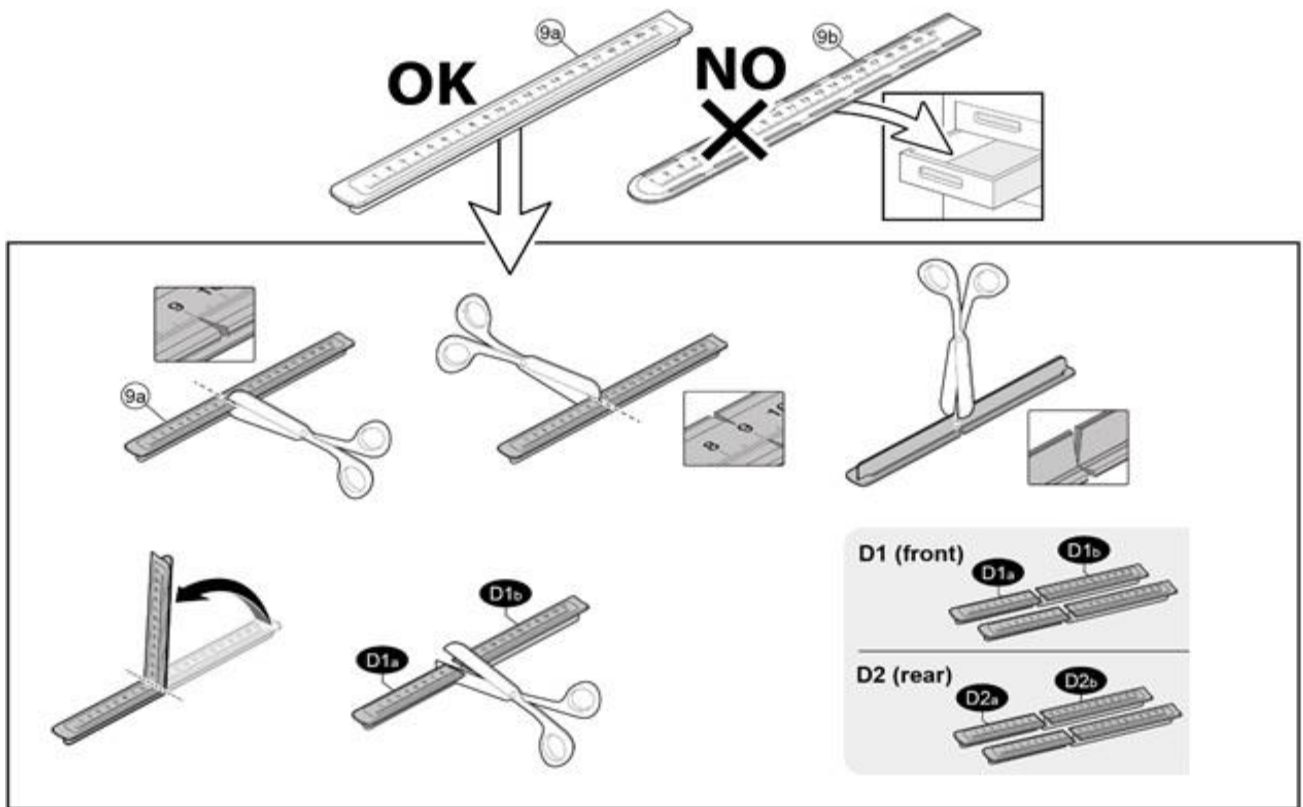


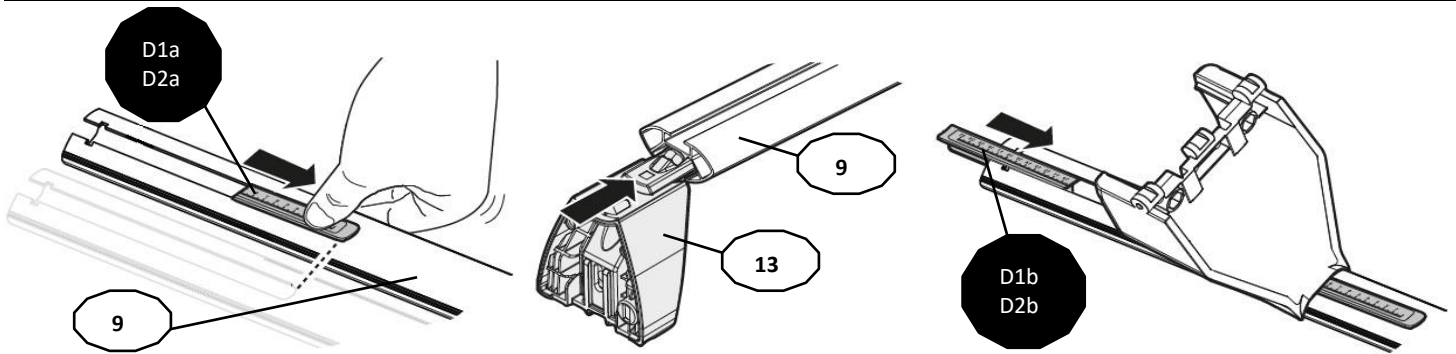
# FIXING KIT DELTA

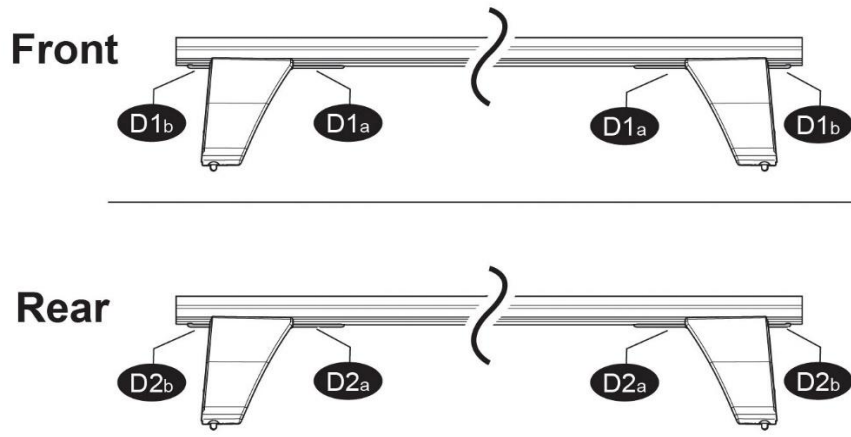
**1**



MANUFACTURER	MODEL CAR	DOORS	MODEL YEAR	D1	D2
SSANGYONG	XLV	5	16>	5,6	4,3

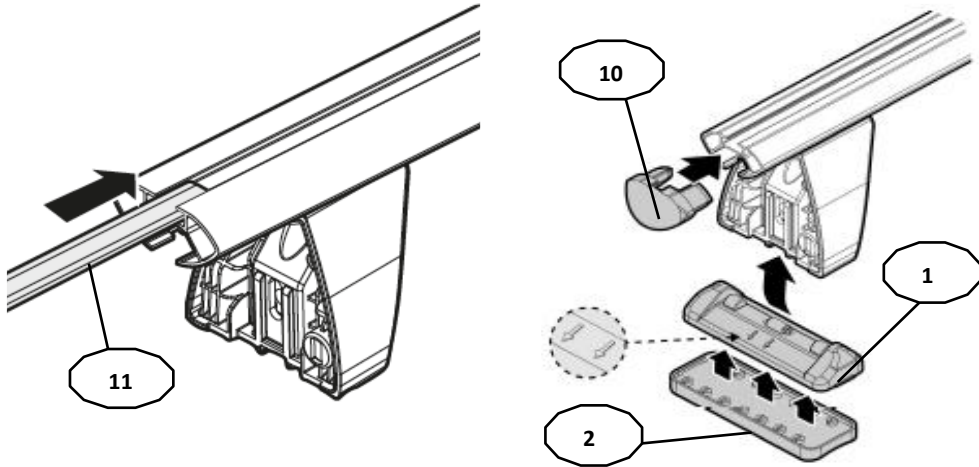
**2**



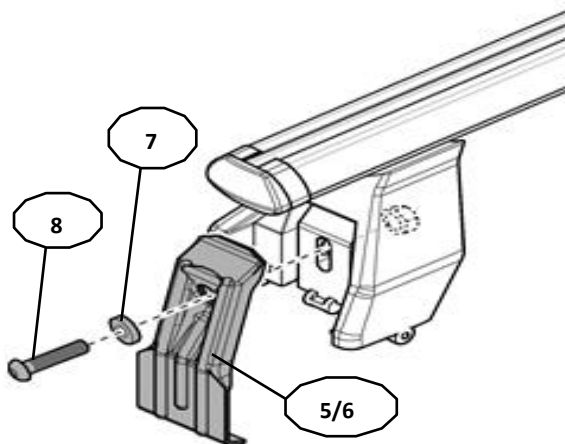


**3**

**x4**



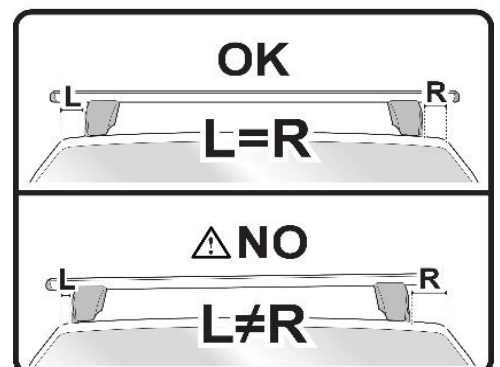
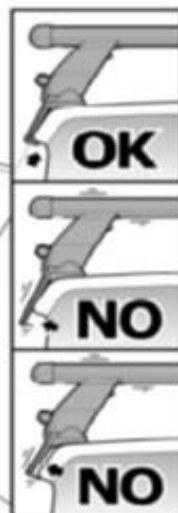
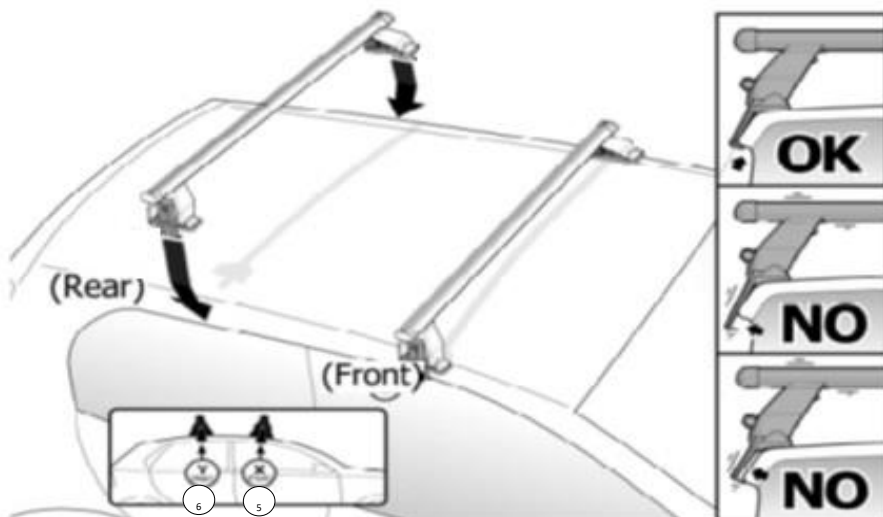
**4**

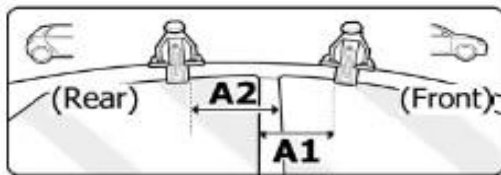


Front	Rear
5	6

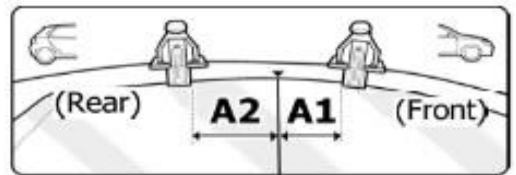


14R	11R
2X	2X





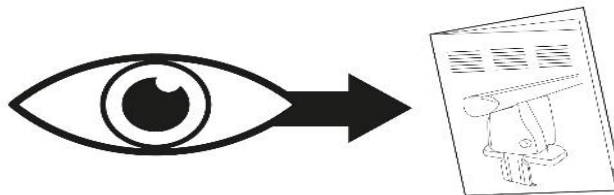
OR



MANUFACTURER	MODEL CAR	DOORS	MODEL YEAR	A1	A2	A1	A2
				cm	cm	in	in
SSANGYONG	XLV	5	16>	18	39	7,1	15,4

X = predisposizione originale /original arrangement

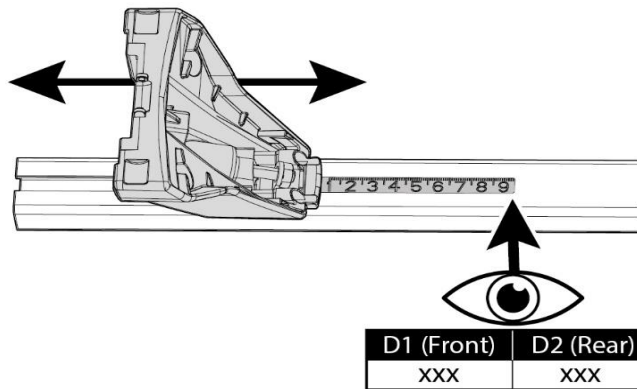
**5**



**MANUAL DELTA**

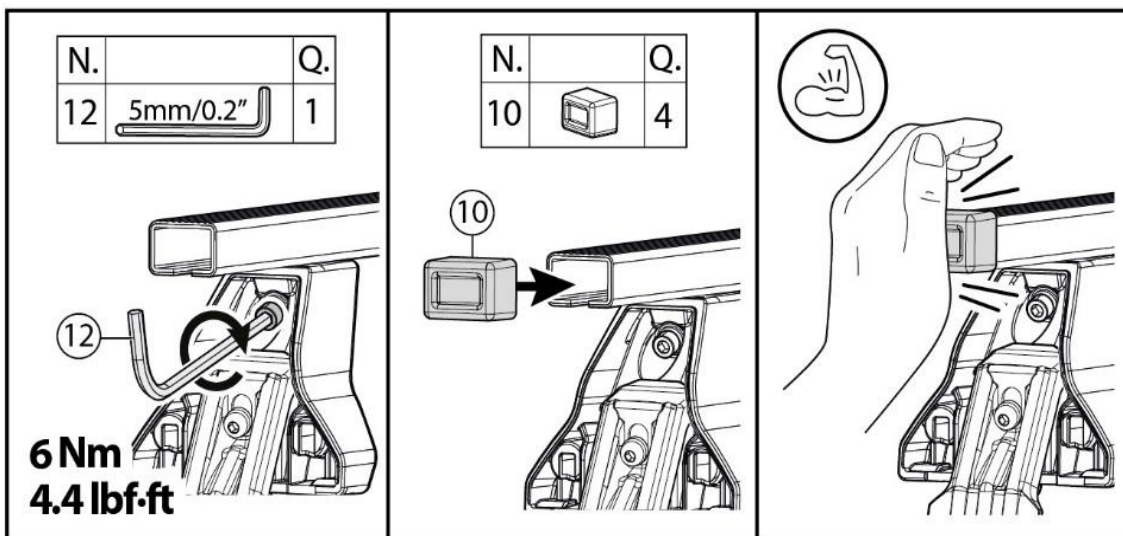
# FIXING KIT OMEGA

2

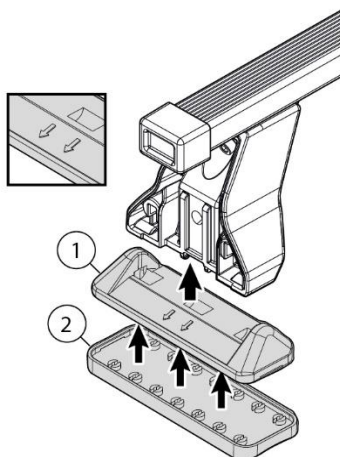


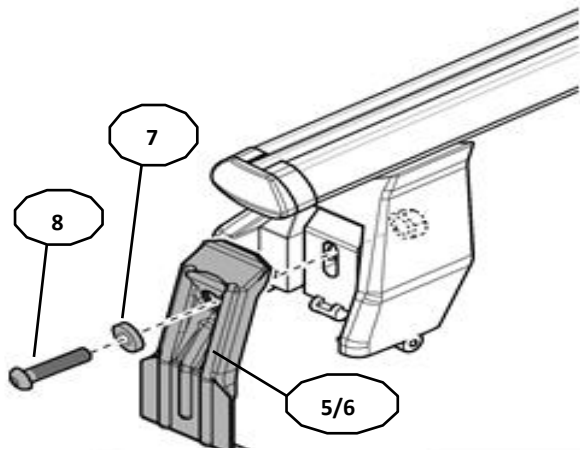
MANUFACTURER	MODEL CAR	DOORS	MODEL YEAR	D1	D2
SSANGYONG	XLV	5	16>	5,6	4,3

3

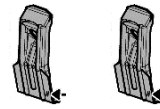


4

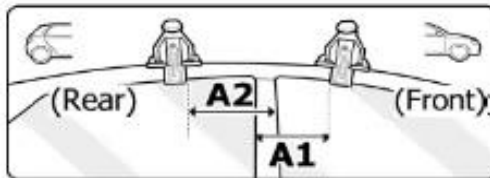
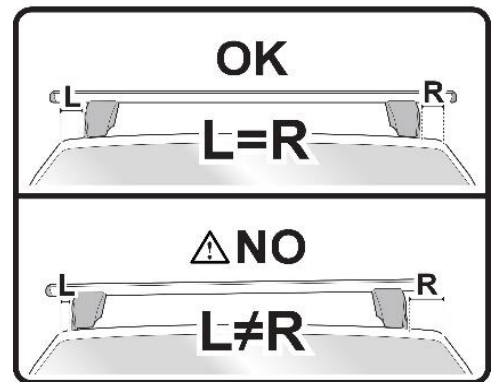
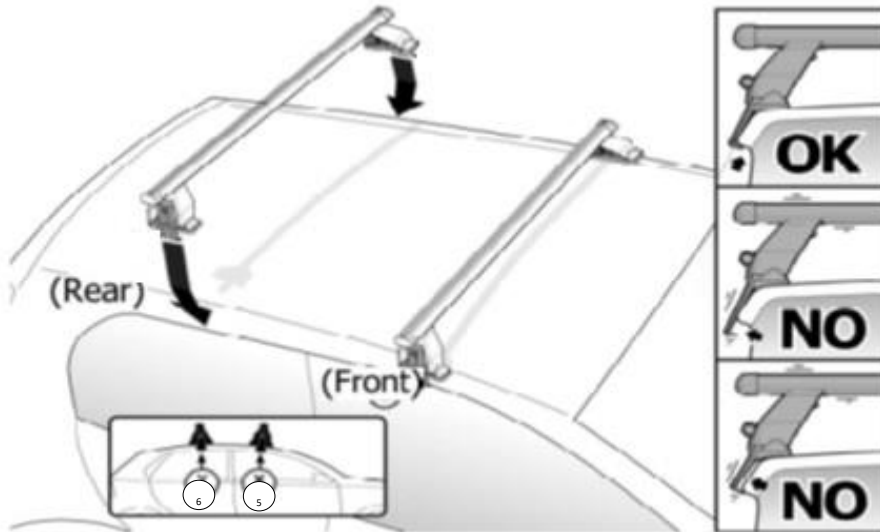




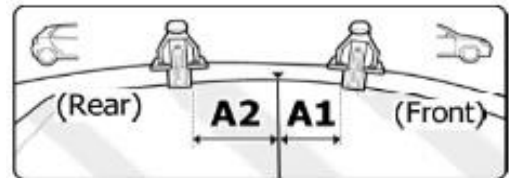
Front	Rear
5	6



14R	11R
2X	2X

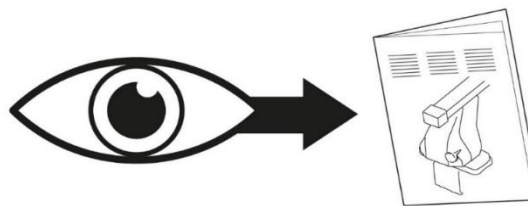


OR



MANUFACTURER	MODEL CAR	DOORS	MODEL YEAR	A1	A2	A1	A2
				cm	cm	in	in
SSANGYONG	XLV	5	16>	18	39	7,1	15,4

X = predisposizione originale /original arrangement



MANUAL OMEGA

NOTE:

---

---

---

---