

# MENABO

free time on the move

**ALCOR 2**  
**ALCOR 3**  
**ALCOR 4**

**ACRUX 2**  
**ACRUX 3**  
**ACRUX 4**

IT Istruzioni di montaggio

EN Fitting instructions

DE Montageanleitung

FR Instructions de montage

ES Instrucciones de montaje

BG инструкции за сглобяване

CS Návod na montáž

DA Monteringsvejledning

EL Οδηγίες συναρμολόγησης

ET Paigaldusjuhend

FI Asennusohje

HR Uputa za sastavljanje

HU A felszerelés módja

LT Pritvirtinimo instrukcijos

LV Stiprināšanas instrukcija

NL Instrukcja montażu

NO Monteringsveiledning

PL Instrukcja montażu

PT Instruções de Montagem

RO Instrucțiuni de montare

RU Инструкции по установке

SK Návod na montáž

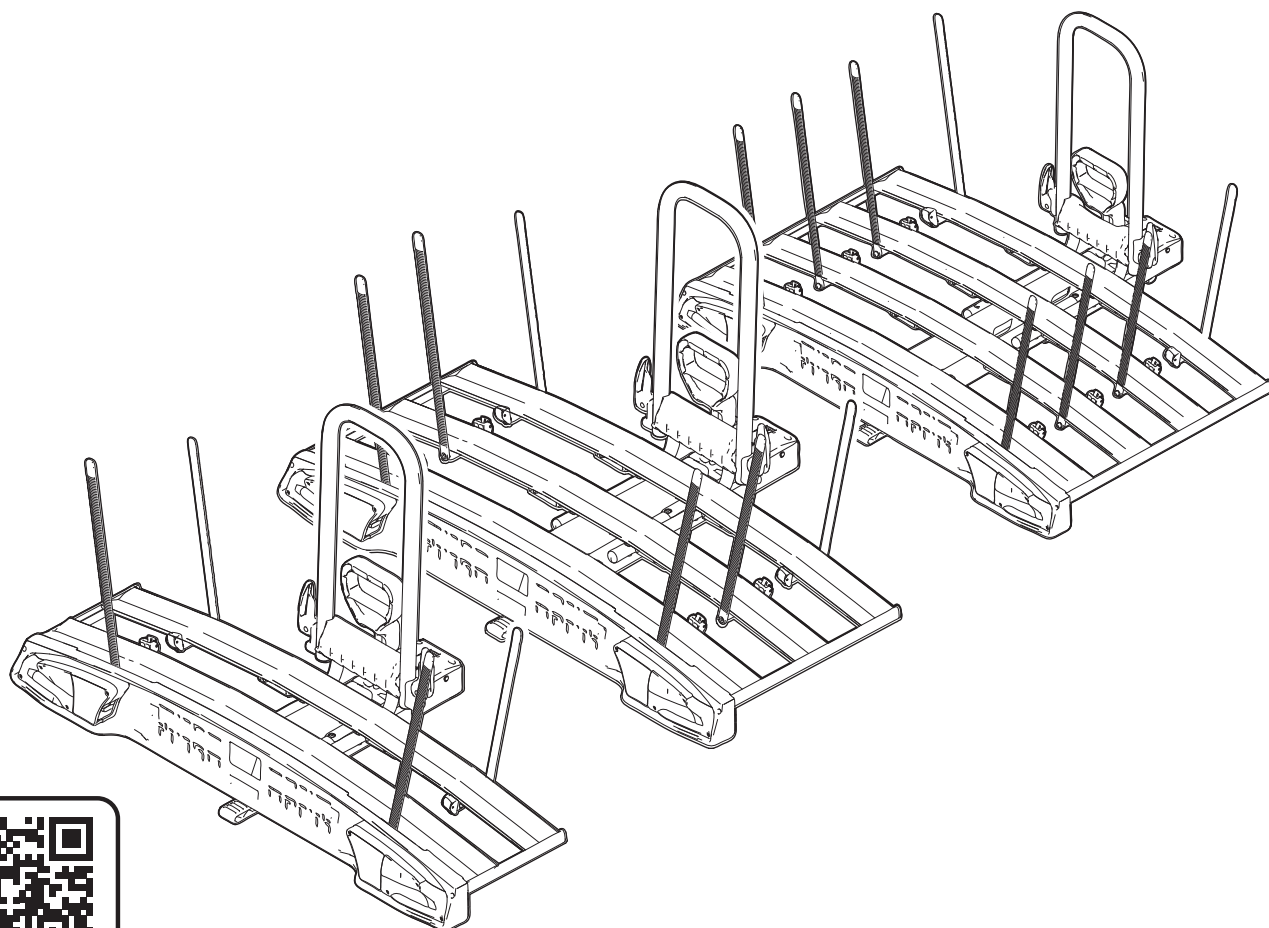
SL Navodila za pritrjevanje

SV Monteringsanvisning

TK Uydurma talimat

ZH 裝修指導

AR تعليمات التجميع



▶ Watch video

Made in Italy



**ALCOR 2  
ACRUX 2**

N	[IT]Componenti (Inclusi) [EN]Components (Included) [FR]Composants (Comprises)	[DE]Die Komponenten (im Lieferumfang enthalten) [ES]Componentes (Incluido)	Q
1a			1
2			1
3		M6x30	2
4			1
5			1
6			6
7			1
8		2,5m/8ft	1
12		5mm/0.2"	1
13		M6	2
14		XXXX	2

N	[IT]Ricambi (A Richiesta) [EN]Spare Parts (Made to order) [FR]Pièces de rechange (Sur commande)	[DE]E Teile (auf Anfrage) [ES]Piezas de recambio (Previa solicitud)	Q	Codice-Code-Código
2			1	700036300000
3		M6x30	2	
13		M6	2	
4			1	700003200000
5			1	700003100000
6			2	700024000000
7			1	700033600000
8		2,5m/8ft	1	700001100000
10		dx	1	700033700000
11		sx	1	700033800000
12		5mm/0.2"	1	700025000000

**ALCOR 3  
ACRUX 3**

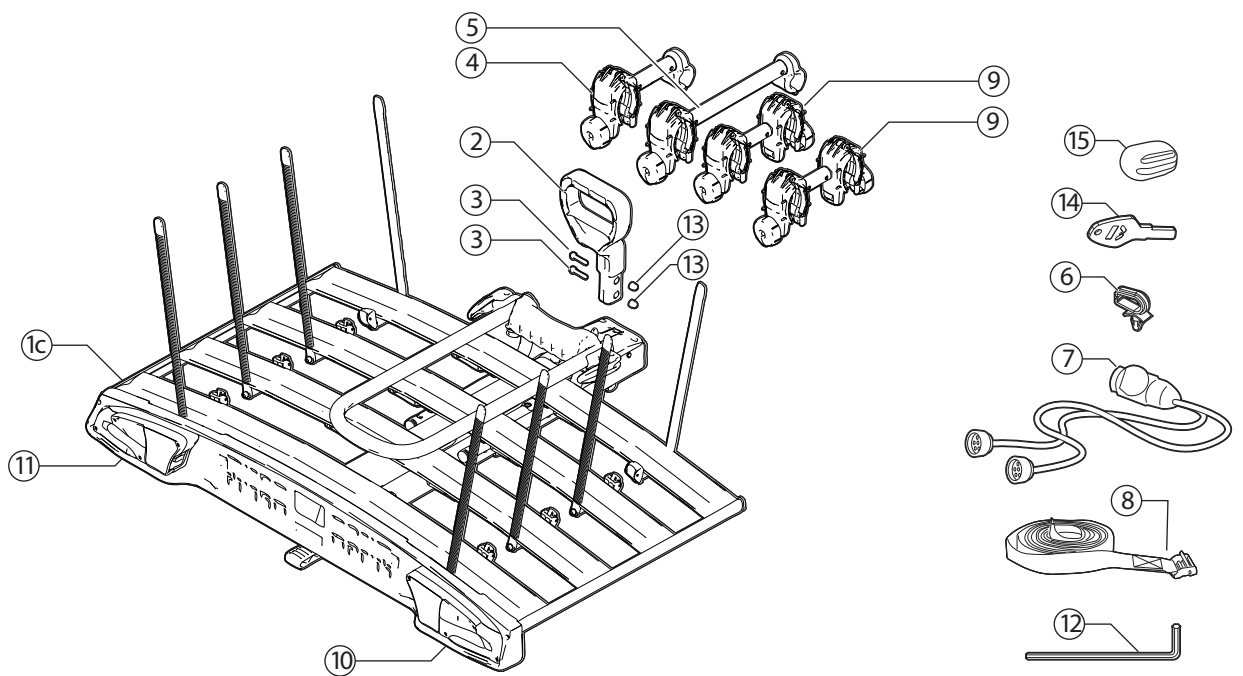
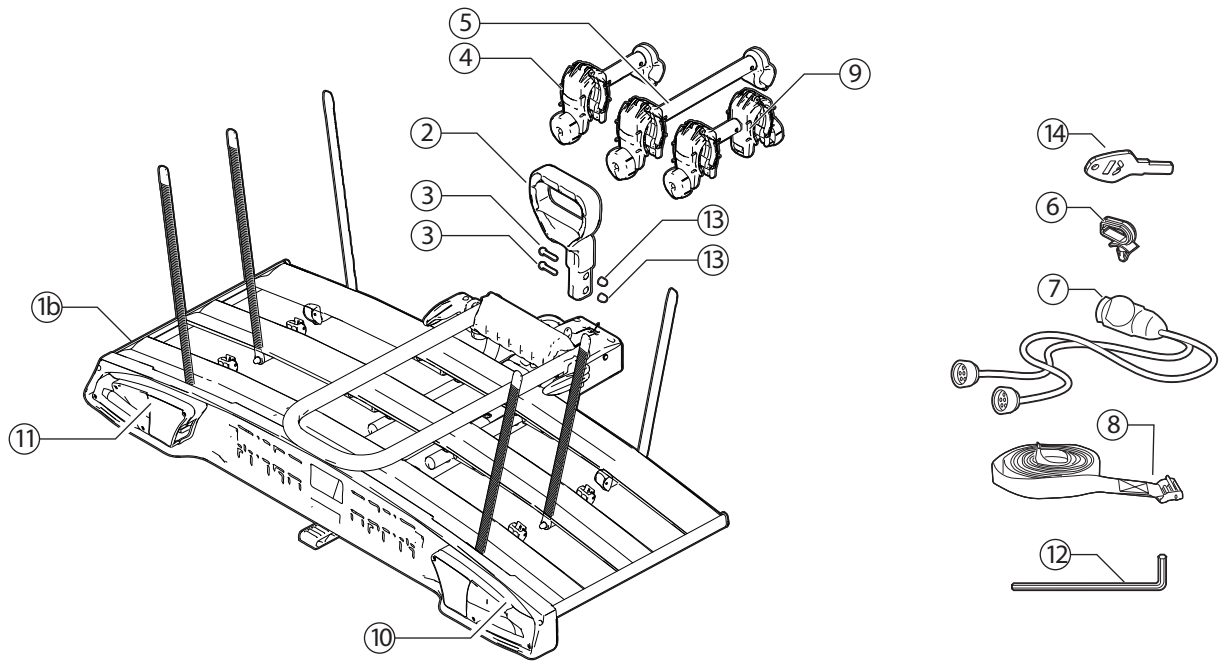
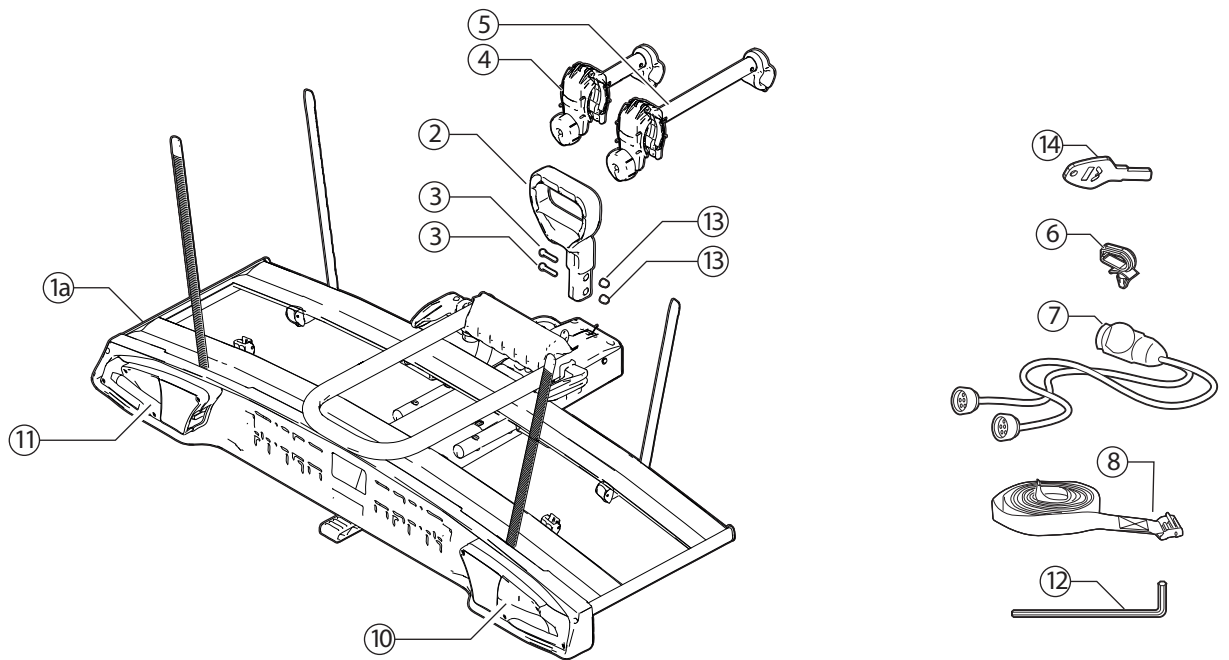
N	[IT]Componenti (Inclusi) [EN]Components (Included) [FR]Composants (Comprises)	[DE]Die Komponenten (im Lieferumfang enthalten) [ES]Componentes (Incluido)	Q
1b			1
2			1
3		M6x30	2
4			1
5			1
9			1
6			6
7			1
8		2,5m/8ft	1
12		5mm/0.2"	1
13		M6	2
14		XXXX	2

N	[IT]Ricambi (A Richiesta) [EN]Spare Parts (Made to order) [FR]Pièces de rechange (Sur commande)	[DE]E Teile (auf Anfrage) [ES]Piezas de recambio (Previa solicitud)	Q	Codice-Code-Código
2			1	700036300000
3		M6x30	2	
13		M6	2	
4			1	700003200000
5			1	700003100000
9			1	700006900000
6			2	700024000000
7			1	700033600000
8		2,5m/8ft	1	700001100000
10		dx	1	700033700000
11		sx	1	700033800000
12		5mm/0.2"	1	700025000000

**ALCOR 4  
ACRUX 4**

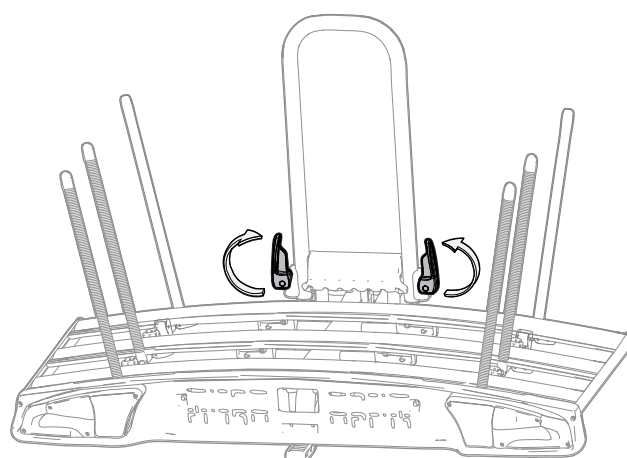
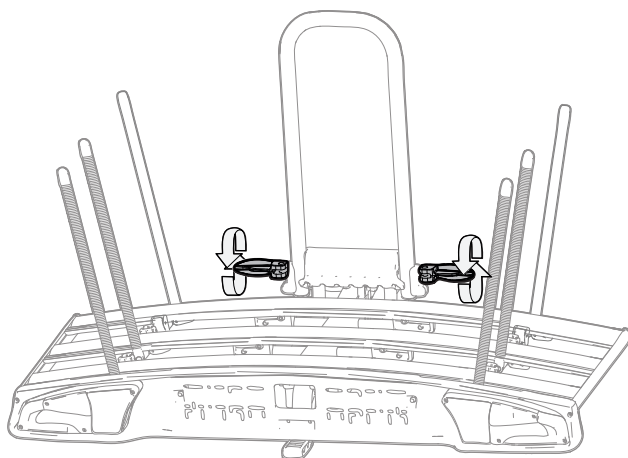
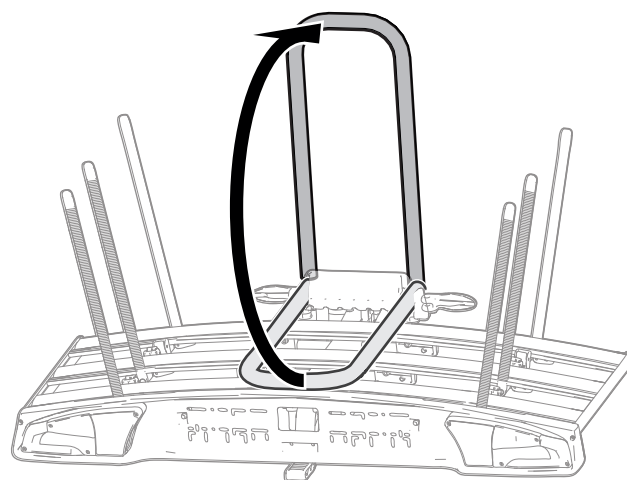
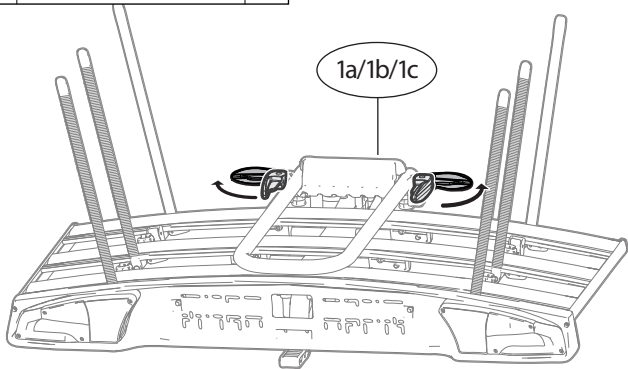
N	[IT]Componenti (Inclusi) [EN]Components (Included) [FR]Composants (Comprises)	[DE]Die Komponenten (im Lieferumfang enthalten) [ES]Componentes (Incluido)	Q
1c			1
2			1
3		M6x30	2
4			1
5			1
9			2
6			6
7			1
8		2,5m/8ft	3
12		5mm/0.2"	1
13		M6	2
14		XXXX	2
15			2

N	[IT]Ricambi (A Richiesta) [EN]Spare Parts (Made to order) [FR]Pièces de rechange (Sur commande)	[DE]E Teile (auf Anfrage) [ES]Piezas de recambio (Previa solicitud)	Q	Codice-Code-Código
2			1	700036300000
3		M6x30	2	
13		M6	2	
4			1	700003200000
5			1	700003100000
9			2	700006900000
6			2	700024000000
7			1	700033600000
8		2,5m/8ft	1	700001100000
10		dx	1	700033700000
11		sx	1	700033800000
12		5mm/0.2"	1	700025000000
15			4	700002600000



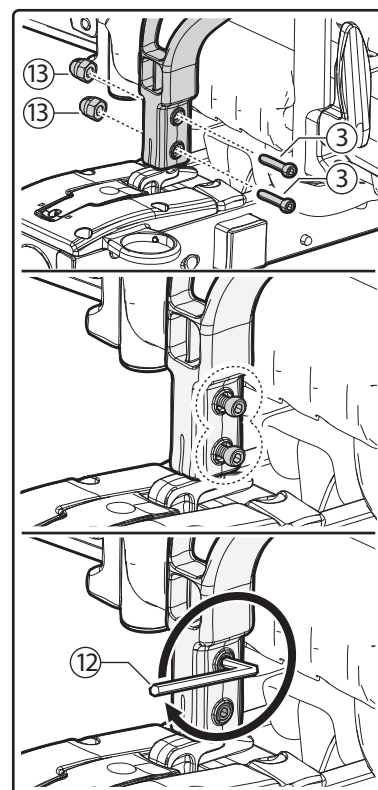
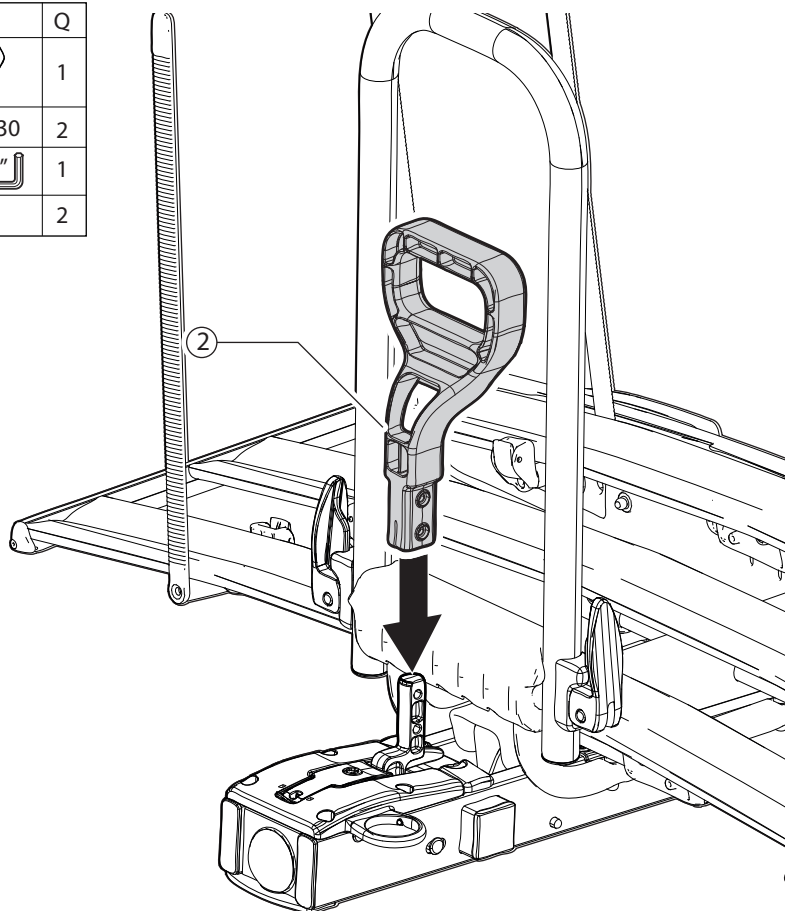
①—ALCOR 2-/ALCOR 3-/ALCOR 4-/ACRUX-2-/ACRUX-3-/ACRUX-4

N		Q
1a		1
1b		
1c		

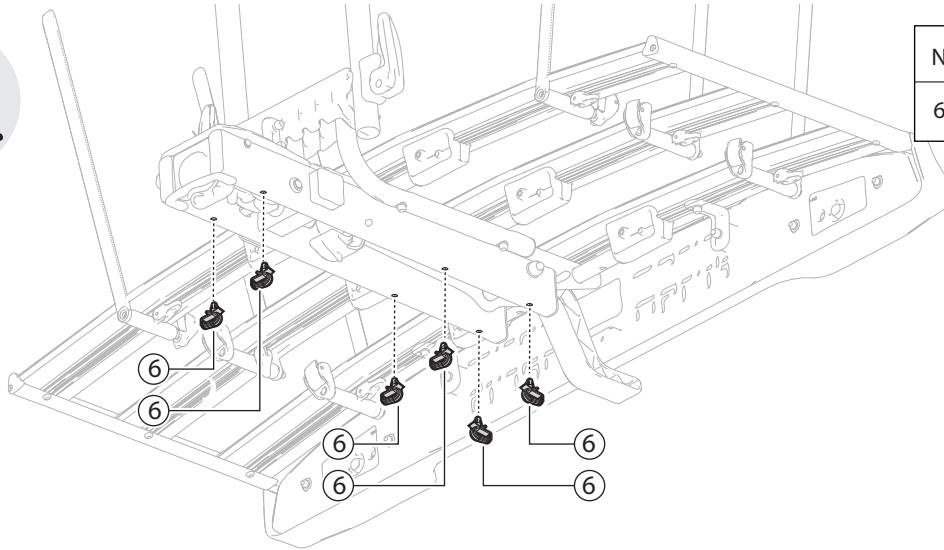


②—ALCOR 2-/ALCOR 3-/ALCOR 4-/ACRUX-2-/ACRUX-3-/ACRUX-4

N		Q
2		1
3	M6x30	2
12	5mm/0.2"	1
13	M6	2

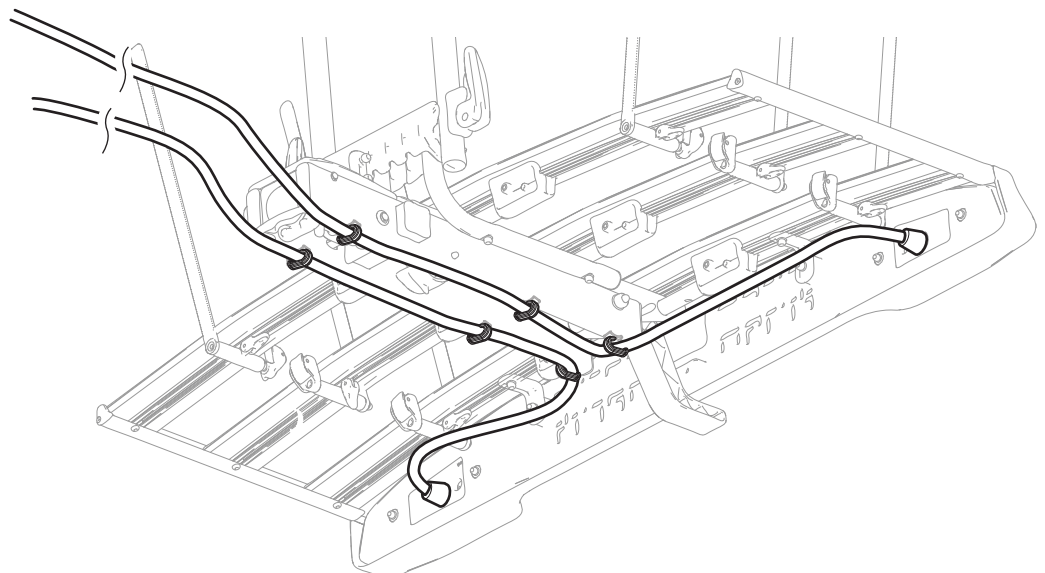
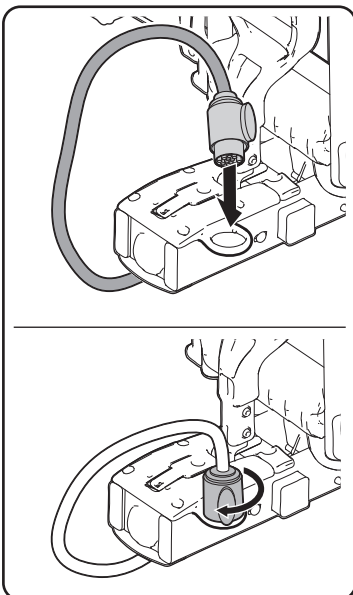
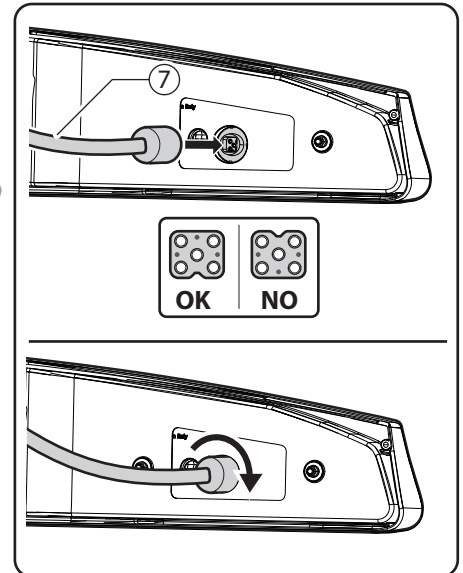
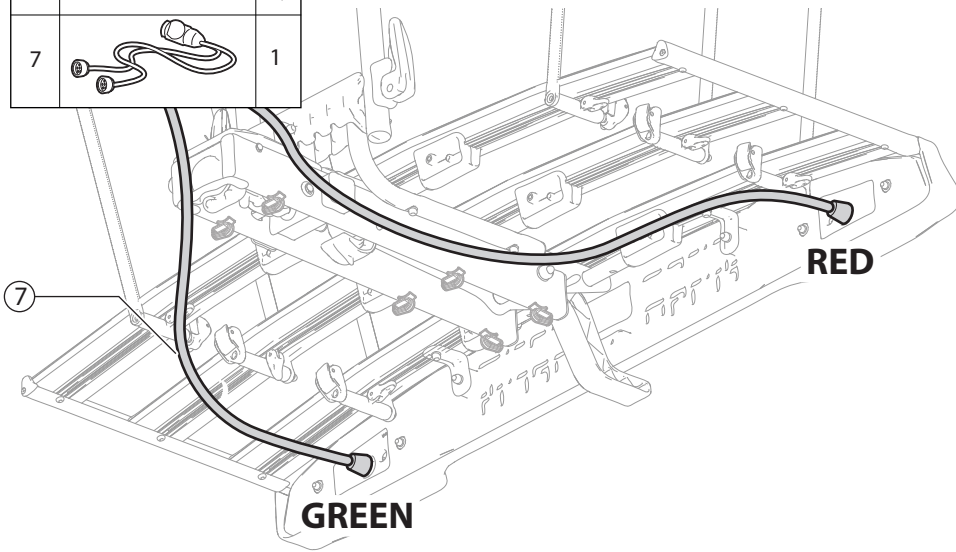


③ —ALCOR 2-/ALCOR 3-/ALCOR 4-/ACRUX 2-/ACRUX 3-/ACRUX 4—

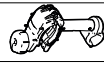



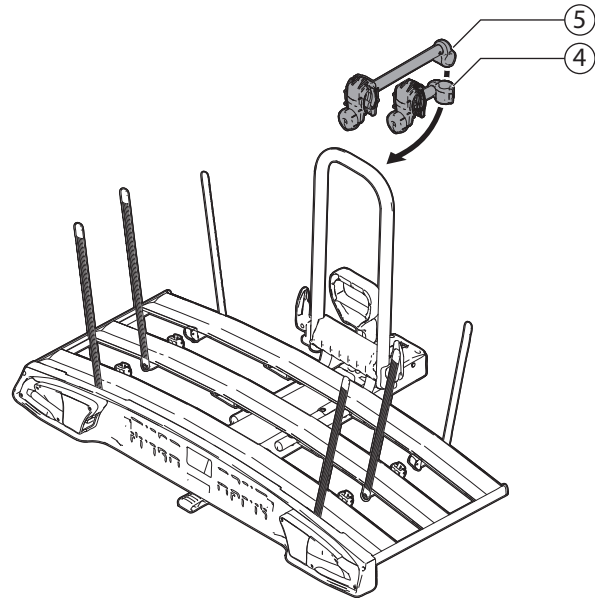
N		Q
6		6

N		Q
7		1

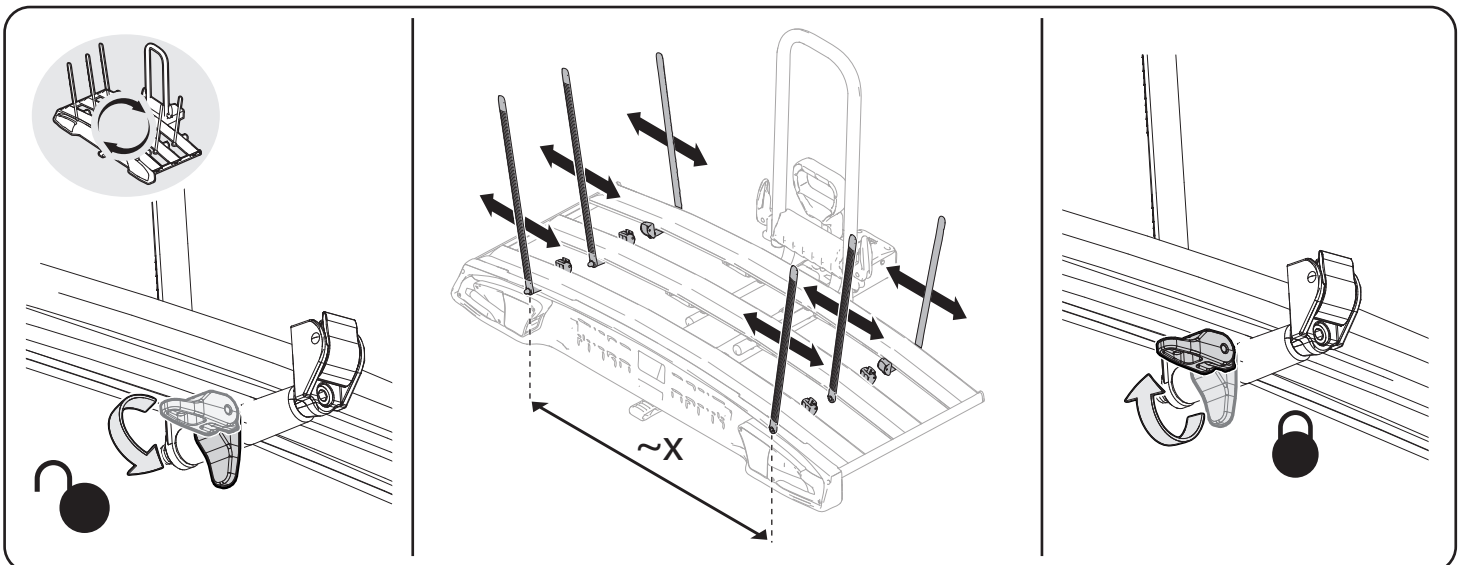
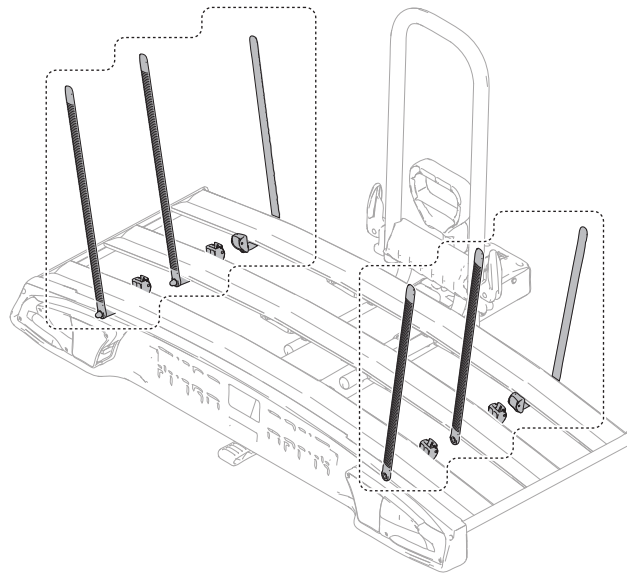
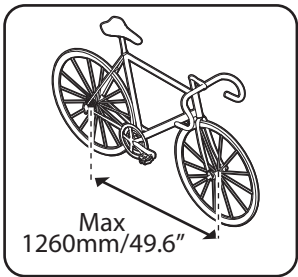


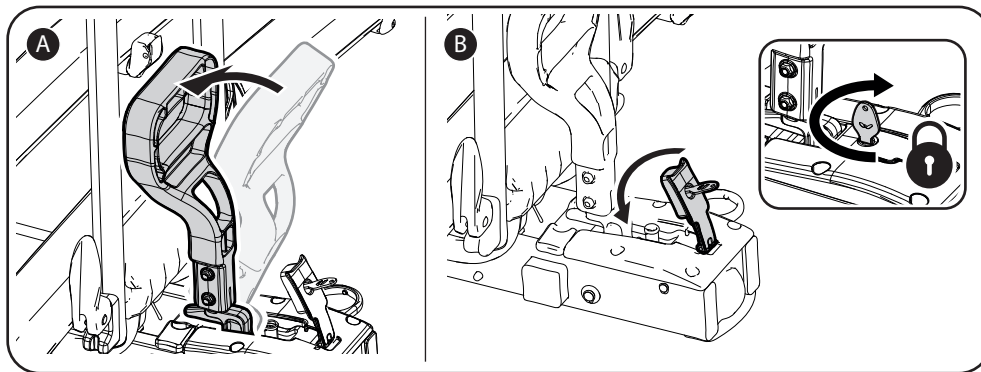
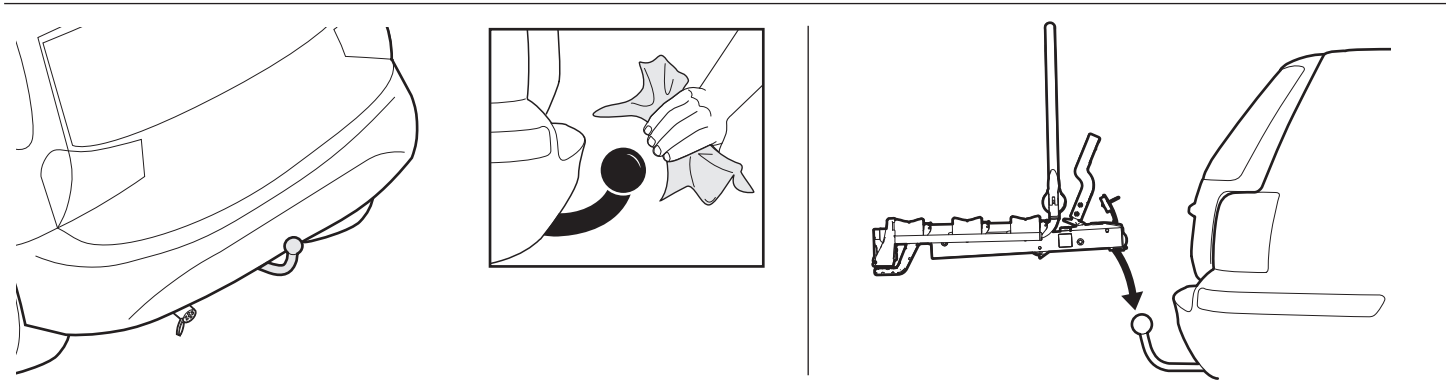
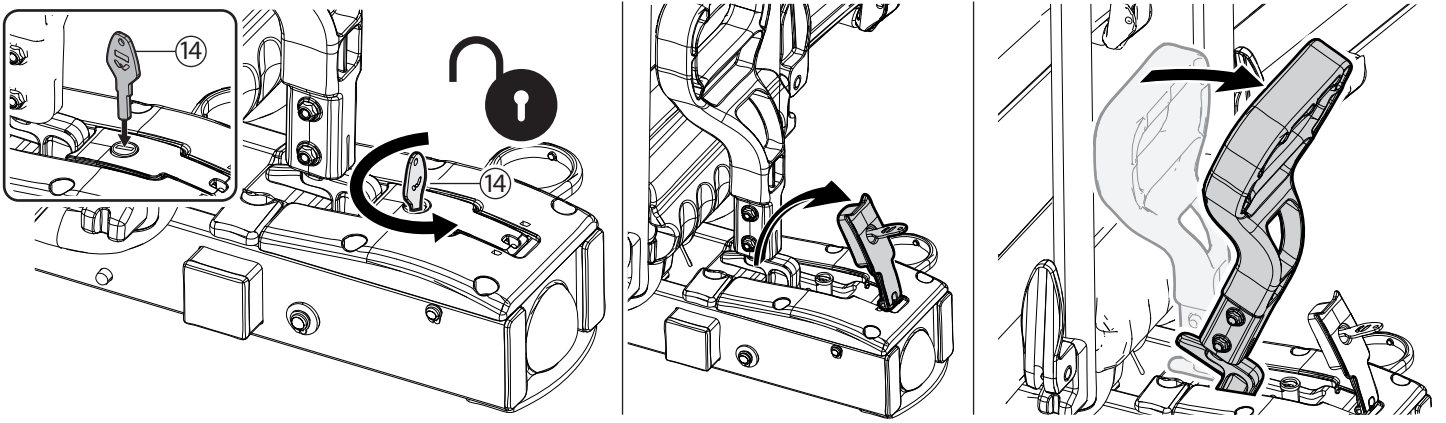
④—ALCOR 2-/ALCOR 3-/ALCOR 4-/ACRUX 2-/ACRUX 3-/ACRUX 4—

N		Q
4		1
5		1



⑤—ALCOR 2-/ALCOR 3-/ALCOR 4-/ACRUX 2-/ACRUX 3-/ACRUX 4—

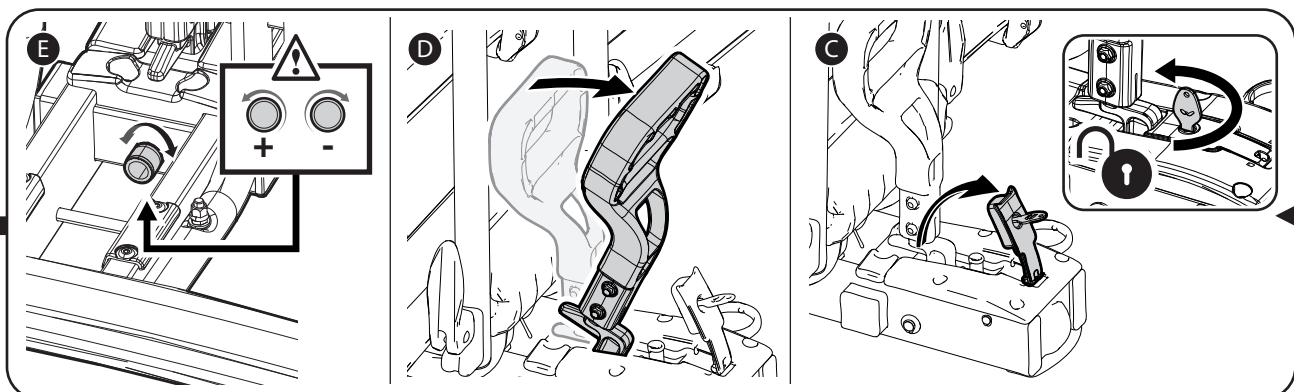


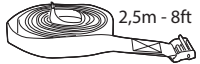



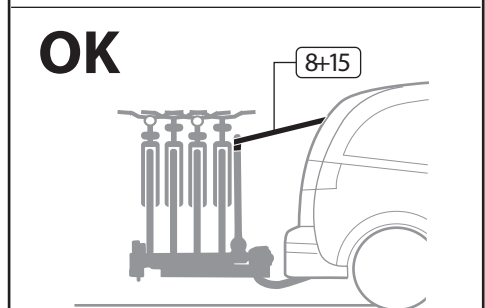
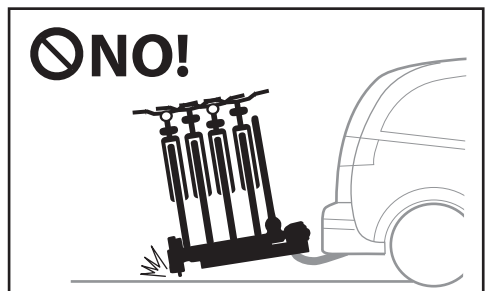
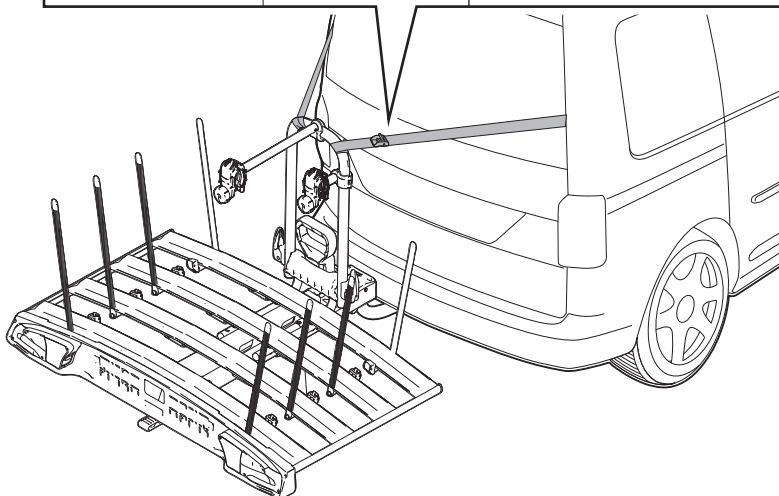
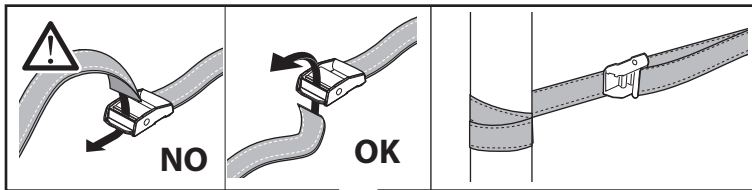
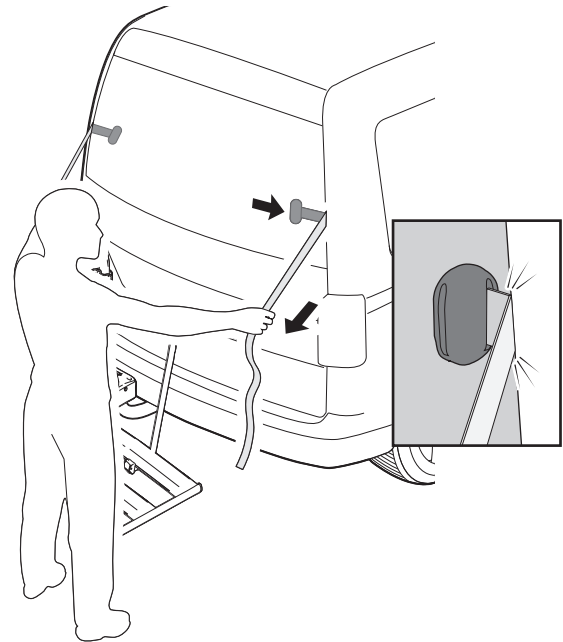
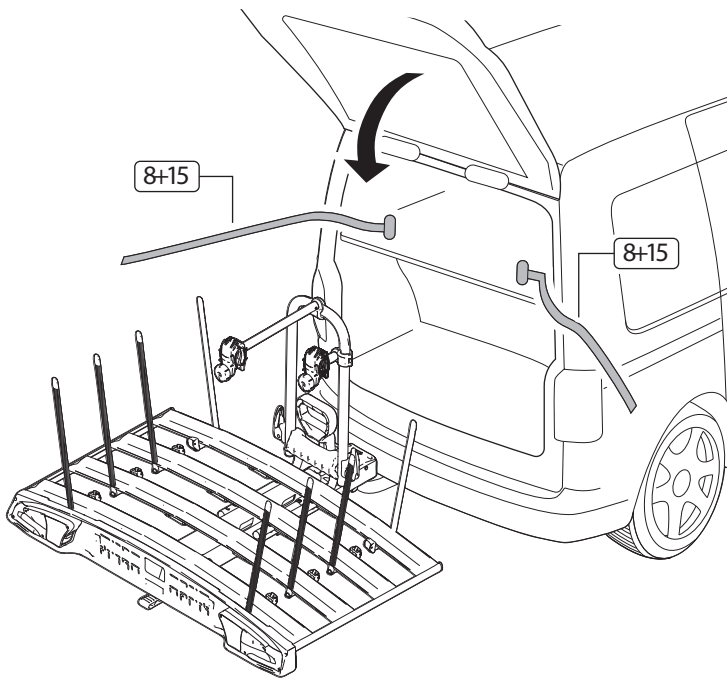
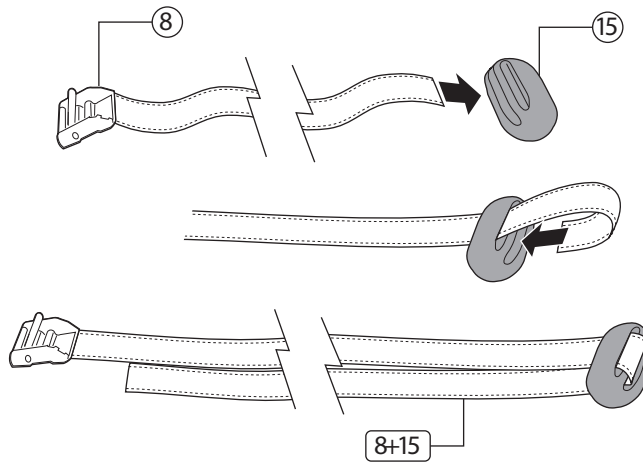
pag.8


**OK**

**NO**



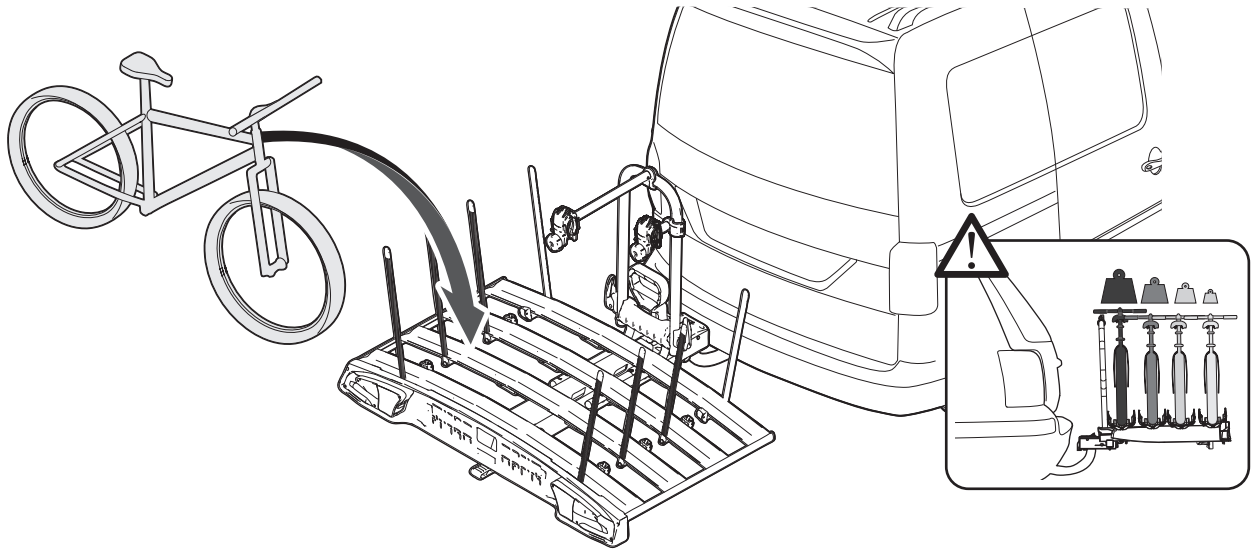
N.		Q.
8	 2,5m - 8ft	2
15		2



 **OBBLIGATORIO - OBLIGATORY - OBLIGATOIRE  
OBLIGATORISCH - OBLIGATORIO**

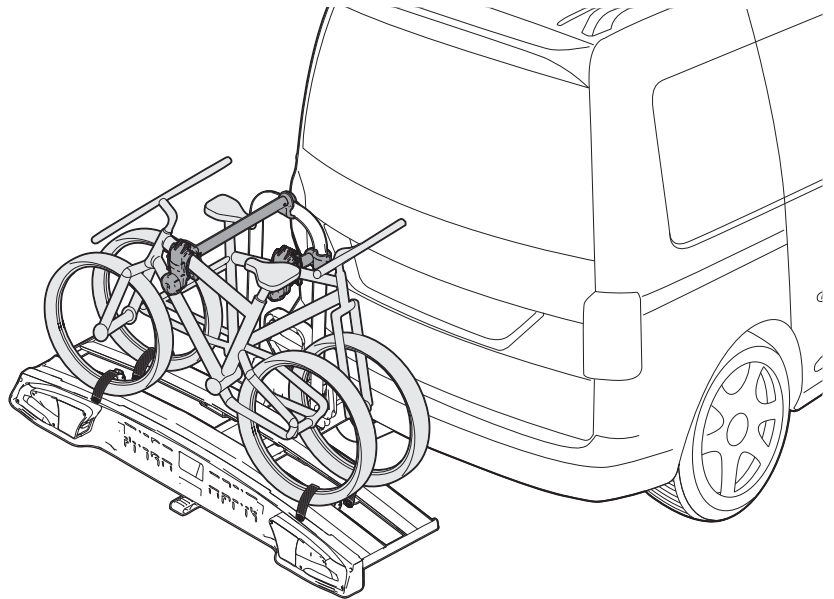
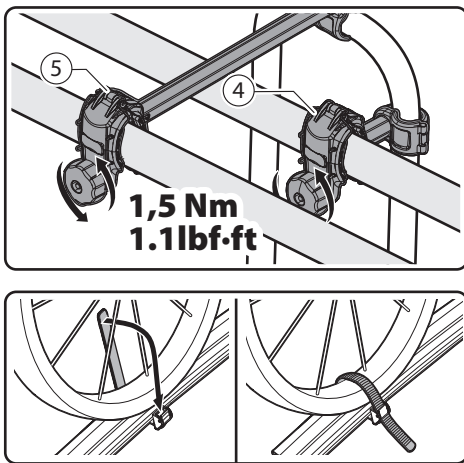


⑧—ALCOR 2 / ALCOR 3 / ALCOR 4 / ACRUX 2 / ACRUX 3 / ACRUX 4

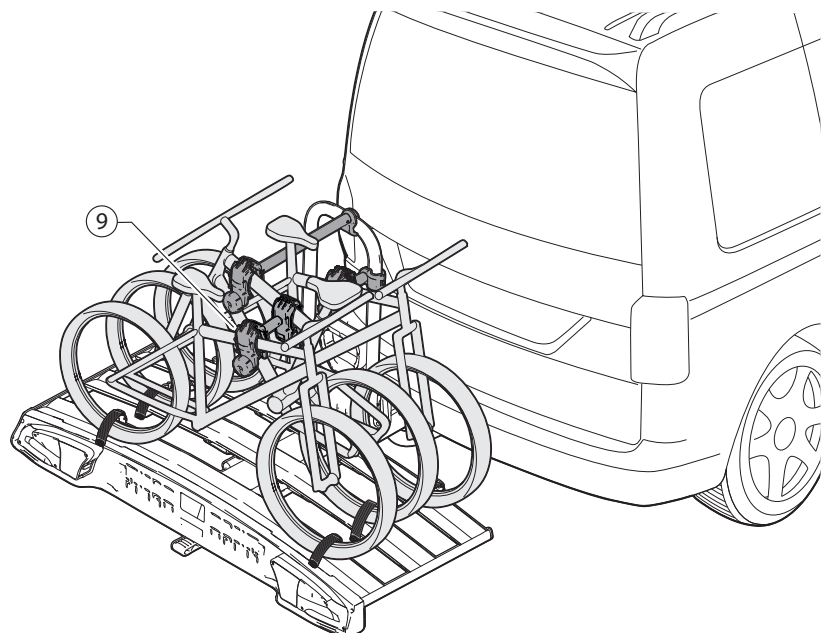
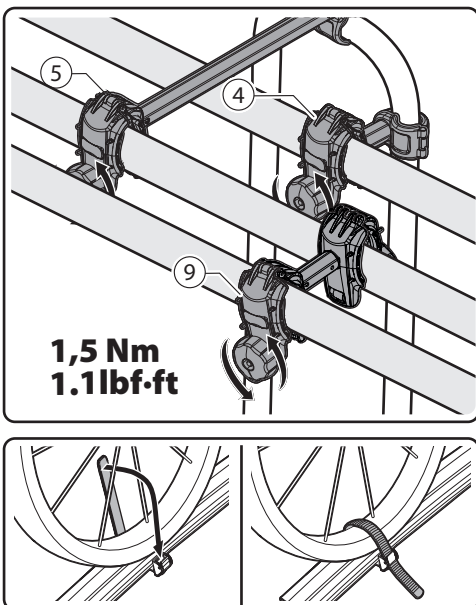


			MIN Ø30 mm / 1.2" MAX Ø50 mm / 2"		MIN 22" MAX 29"		MAX 110mm / 4.3"		MAX 1260mm / 49.6"
		MIN 30x60 mm / 1.2"x2.4" MAX 50x70 mm / 2"x2.7"			MAX 110mm / 4.3"				

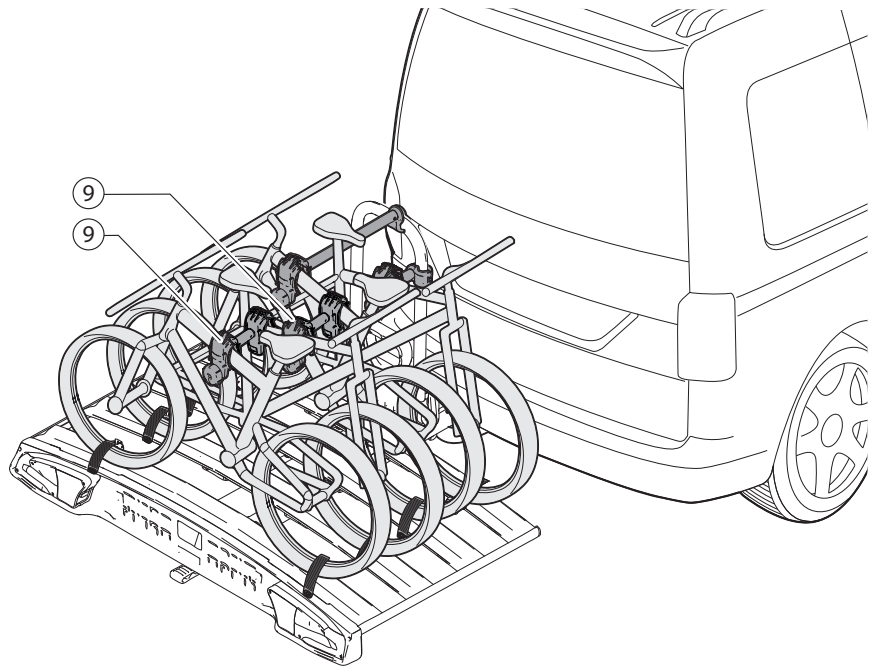
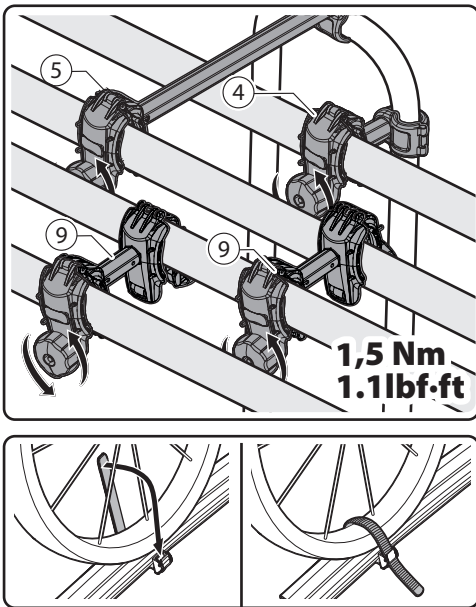
⑨a—ALCOR 2 / ACRUX 2



⑨b—ALCOR 3 / ACRUX 3

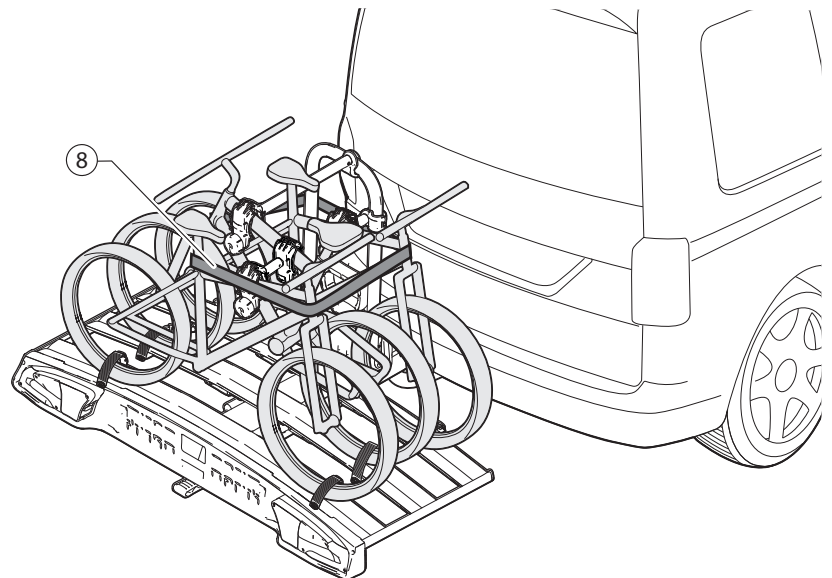


9c — ALCOR 4 / ACRUX 4

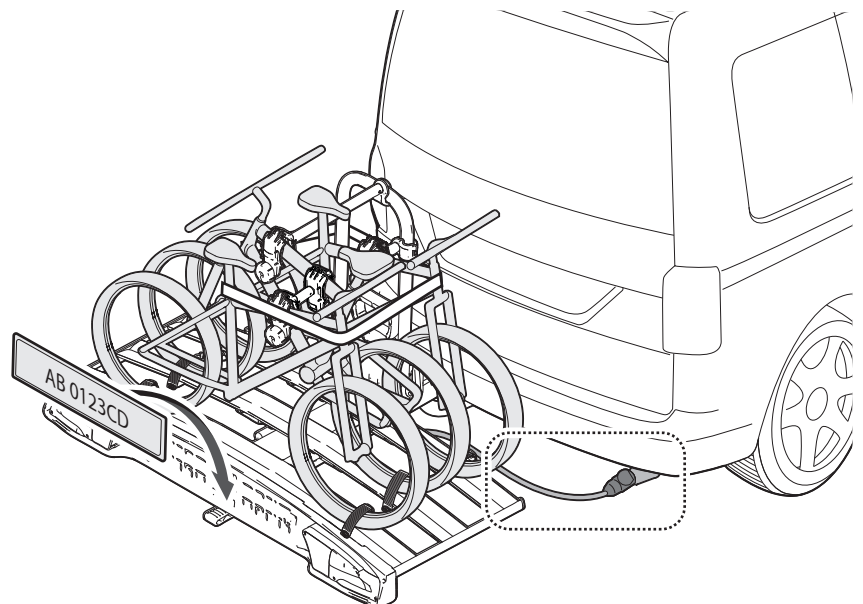
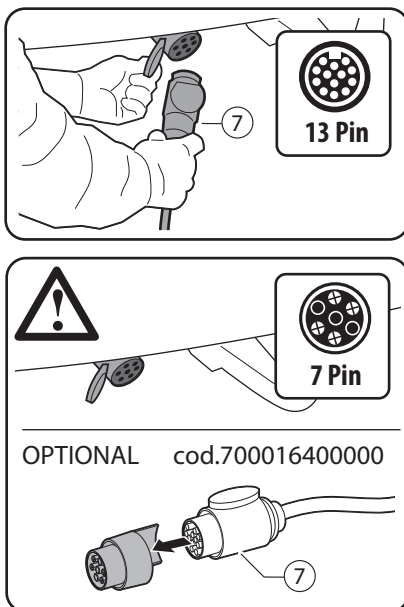


10 — ALCOR 2 / ALCOR 3 / ALCOR 4 / ACRUX 2 / ACRUX 3 / ACRUX 4

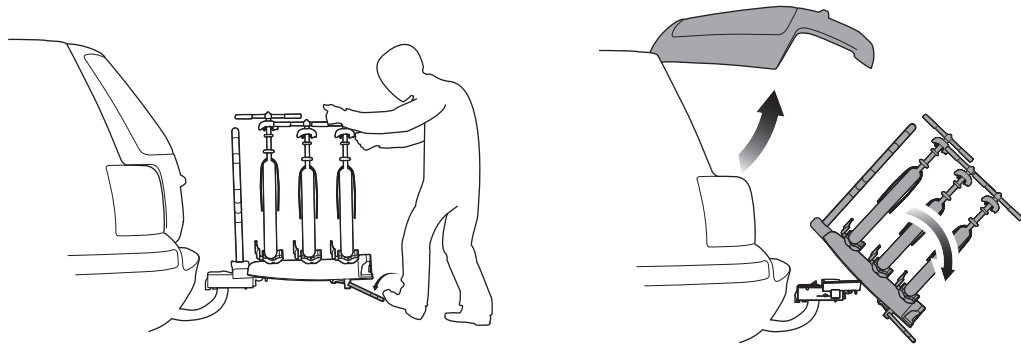
N		Q
8	2,5 m - 8ft	1



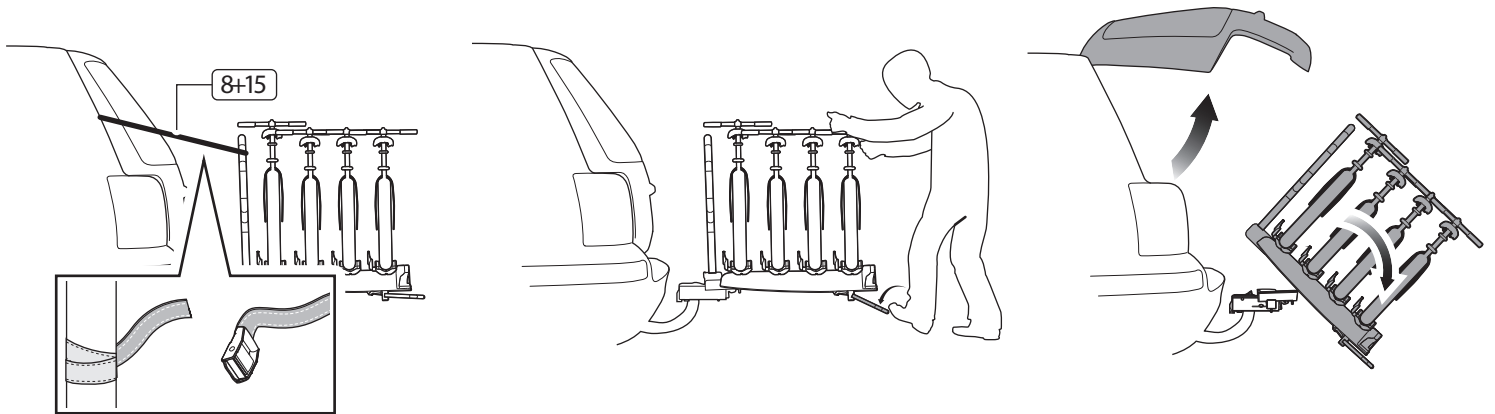
11 — ALCOR 2 / ALCOR 3 / ALCOR 4 / ACRUX 2 / ACRUX 3 / ACRUX 4



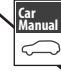
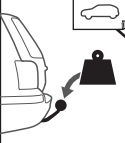





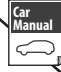
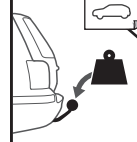


⑪—ALCOR 2-/ALCOR 3/ACRUX 2/ACRUX 3



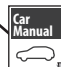





⑪—ALCOR 4/ACRUX 4

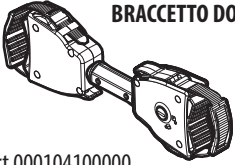
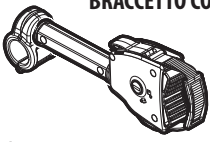
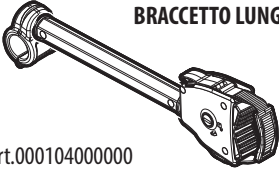
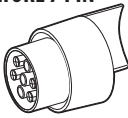
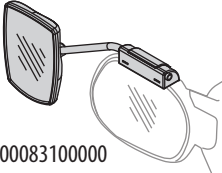
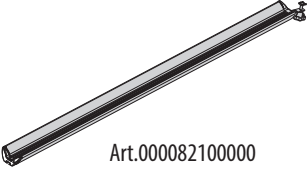
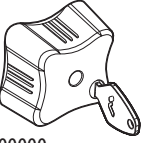


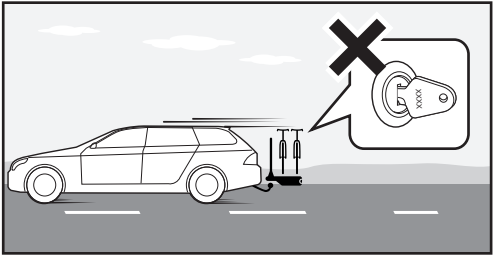
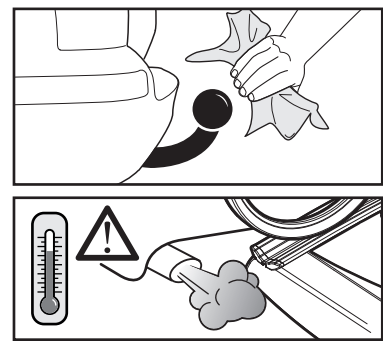
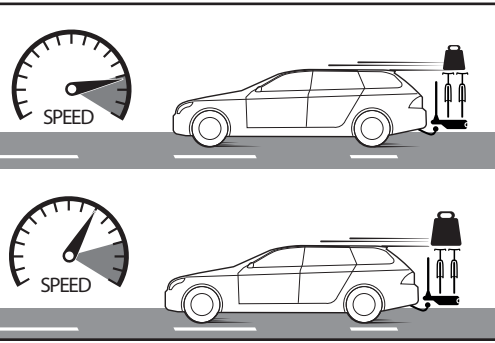
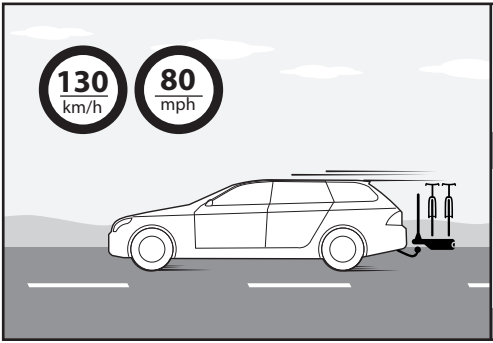
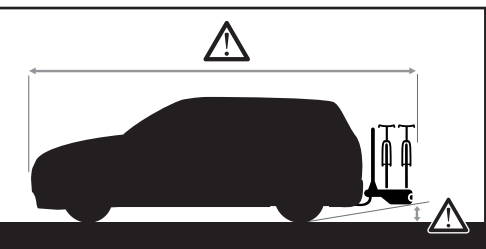
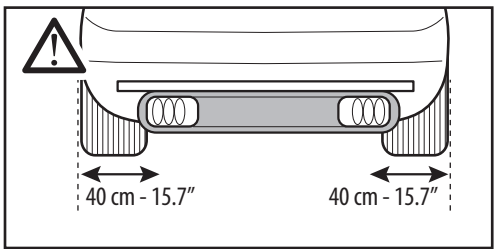
 <b>94/20/CE STANDARD</b>	 Alcor 2 / Acrux 2	Standard/E-bike x2 Fat bike	 	
		 MAX 30kg - 66lb		
		50 kg - 110.2lb		33,8 kg - 72.7lb
		60 kg - 132.3lb		43,8 kg - 94.8lb
		70 kg - 154.3lb		53,8 kg - 117lb
80 kg - 176.4lb	60 kg - 132.3lb			
>80 kg - 176.4lb	60 kg - 132.3lb			

 <b>94/20/CE STANDARD</b>	 Alcor 3 / Acrux 3	Standard x3	E-bike x2 Fat bike	 	
			OR		
		MAX 20kg - 44lb			MAX 30kg - 66lb
		50 kg - 110.2lb			32 kg - 70.5lb
		60 kg - 132.3lb			42 kg - 92.6lb
70 kg - 154.3lb	18 kg - 39.7lb		52 kg - 114.6lb		
80 kg - 176.4lb			60 kg - 132.2lb		
>80 kg - 176.4lb			60 kg - 132.2lb		

 <b>94/20/CE STANDARD</b>	 Alcor 4 / Acrux 4	Standard x4	E-bike x2 Fat bike	 	
			OR		
		MAX 15kg - 33lb			MAX 30kg - 66lb
		50 kg - 110.2lb			30,2 kg - 66.6lb
		60 kg - 132.3lb			40,2 kg - 88.6lb
70 kg - 154.3lb	19,8 kg - 43.6lb		50,2 kg - 110.6lb		
80 kg - 176.4lb			60 kg - 132.2lb		
>80 kg - 176.4lb			60 kg - 132.2lb		

**OPTIONAL**

 <p><b>BRACCETTO DOPPIO</b></p> <p>Art.000104100000</p>	 <p><b>BRACCETTO CORTO</b></p> <p>Art.000103900000</p>	 <p><b>BRACCETTO LUNGO</b></p> <p>Art.000104000000</p>	 <p><b>ADATTATORE 7 PIN</b></p> <p>Art.700016400000</p>
 <p><b>EVIDENCE MIRROR</b></p> <p>Art.000083100000</p>	 <p><b>RAMPA</b></p> <p>Art.000082100000</p>	 <p><b>POMELLO ANTIFURTO</b></p> <p>Art.000026400000</p>	



**F.lli Menabò S.r.l.**  
 Via 8 Marzo, 3  
 42025 Cavriago (RE) Italy  
 cutomercare@fli-menabo.it  
 www.menabocaraccessories.com

**Product registration**  
 (IT) [eu.menabocaraccessories.com/ita/product-support-ita](http://eu.menabocaraccessories.com/ita/product-support-ita)  
 (EN) [eu.menabocaraccessories.com/eng/product-support-eng](http://eu.menabocaraccessories.com/eng/product-support-eng)  
 (DE) [eu.menabocaraccessories.com/deu/product-support-deu](http://eu.menabocaraccessories.com/deu/product-support-deu)  
 (FR) [eu.menabocaraccessories.com/fra/product-support-fra](http://eu.menabocaraccessories.com/fra/product-support-fra)  
 (ES) [eu.menabocaraccessories.com/esp/product-support-esp](http://eu.menabocaraccessories.com/esp/product-support-esp)

Cod.Istr.	Data
500031400001	12/01/2021

[www.menabocaraccessories.com](http://www.menabocaraccessories.com)

Name

Surname

Email

Telephone

Serial number

Product name