

# MENABO

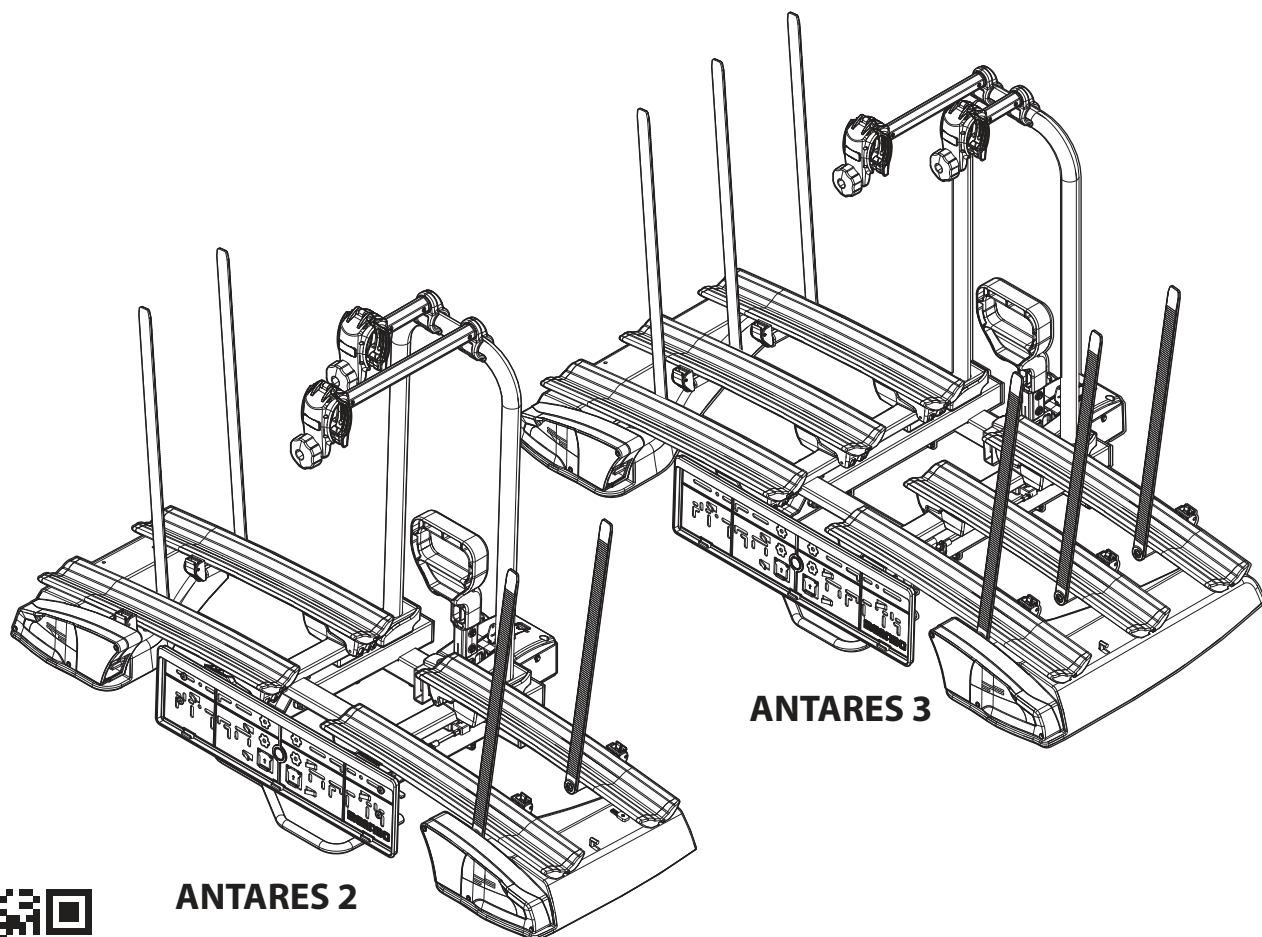
free time on the move

## ANTARES 2 ANTARES 3

IT Istruzioni di montaggio  
EN Fitting instructions  
DE Montageanleitung  
FR Instructions de montage  
ES Instrucciones de montaje  
BG инструкции за сглобяване  
CS Návod na montáž  
DA Monteringsvejledning  
EL Οδηγίες συναρμολόγησης

ET Paigaldusjuhend  
FI Asennusohje  
HR Uputa za sastavljanje  
HU A felszerelés módja  
LT Pritvirtinimo instrukcijos  
LV Stiprināšanas instrukcija  
NL Instrukcja montażu  
NO Monteringsveiledning  
PL Instrukcja montażu

PT Instruções de Montagem  
RO Instrucțiuni de montare  
RU Инструкции по установке  
SK Návod na montáž  
SL Navodila za pritrjevanje  
SV Monteringsanvisning  
TK Uydurma talimat  
ZH 裝修指導  
AR تعليمات التجميل



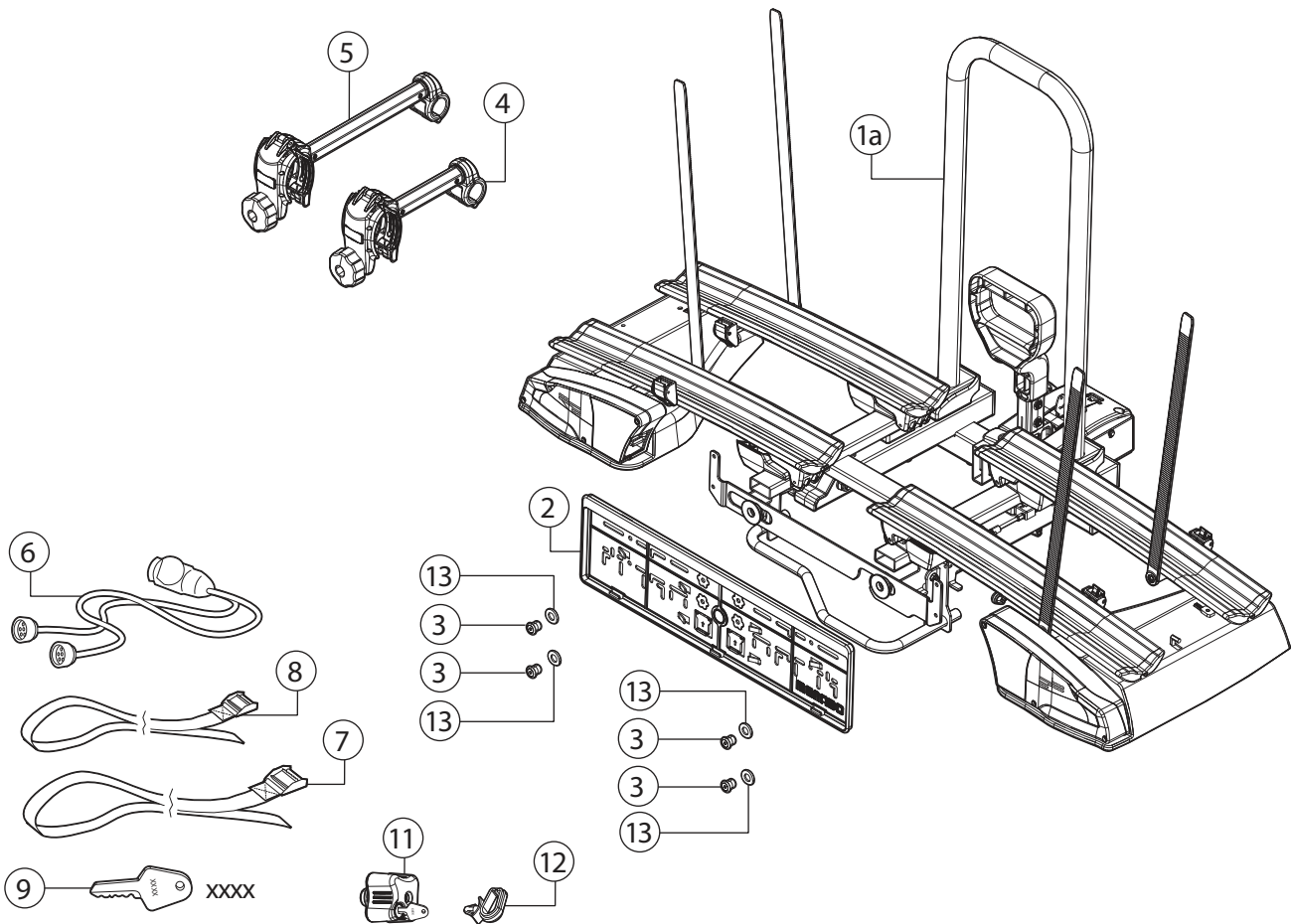
Made in Italy



# ANTARES 2

N.	[IT]Componenti (Inclusi) [EN]Components (Included) [FR]Composants (Comprises) [DE]Die Komponenten (im Lieferumfang enthalten) [ES]Componentes (Incluido)	Q.
1a		1
2		1
3		4
4		1
5		1
6		1
7		1
8		1
9		2
11		2
12		10
13		4

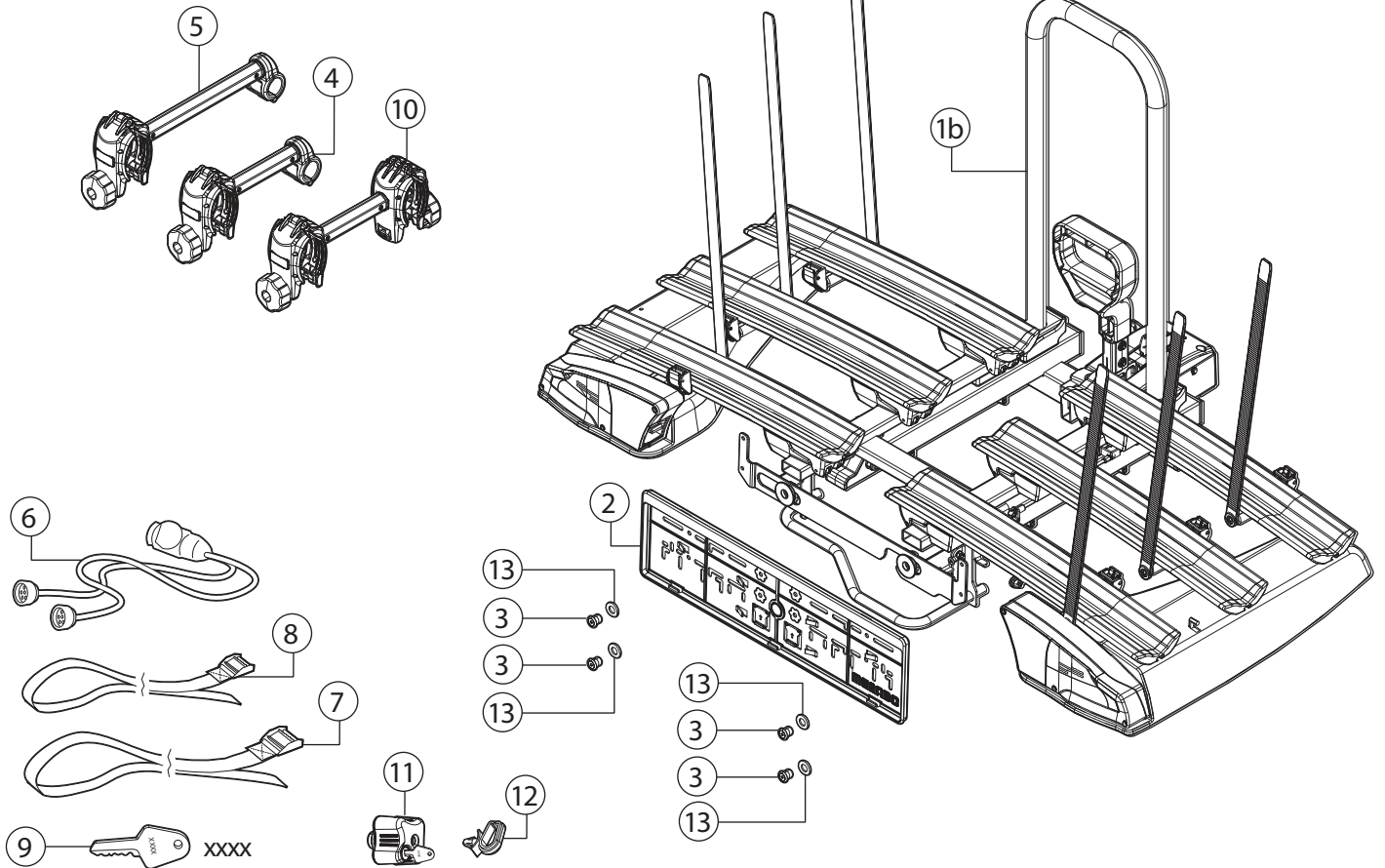
N.	[IT]Ricambi (A Richiesta) [EN]Spare Parts (Made to order) [FR]Pièces de rechange (Sur commande) [DE]E Teile (auf Anfrage) [ES]Piezas de recambio (Previa solicitud)	Codice-Code-Código	Q.
2		700007500000	1
3		700044400000	4
13			4
4		700003200000	1
5		700017800000	1
6		700033600000	1
7		700001100000	1
8		700033400000	1
11		000026400000	1
12		700024000000	2
A		700033700000	1
B		700033800000	1
C		700044300000	1
D		700044200000	1
E		700034100000	2
F		700031500000	1
G		700031300000	1
H		700031400000	1



# ANTARES 3

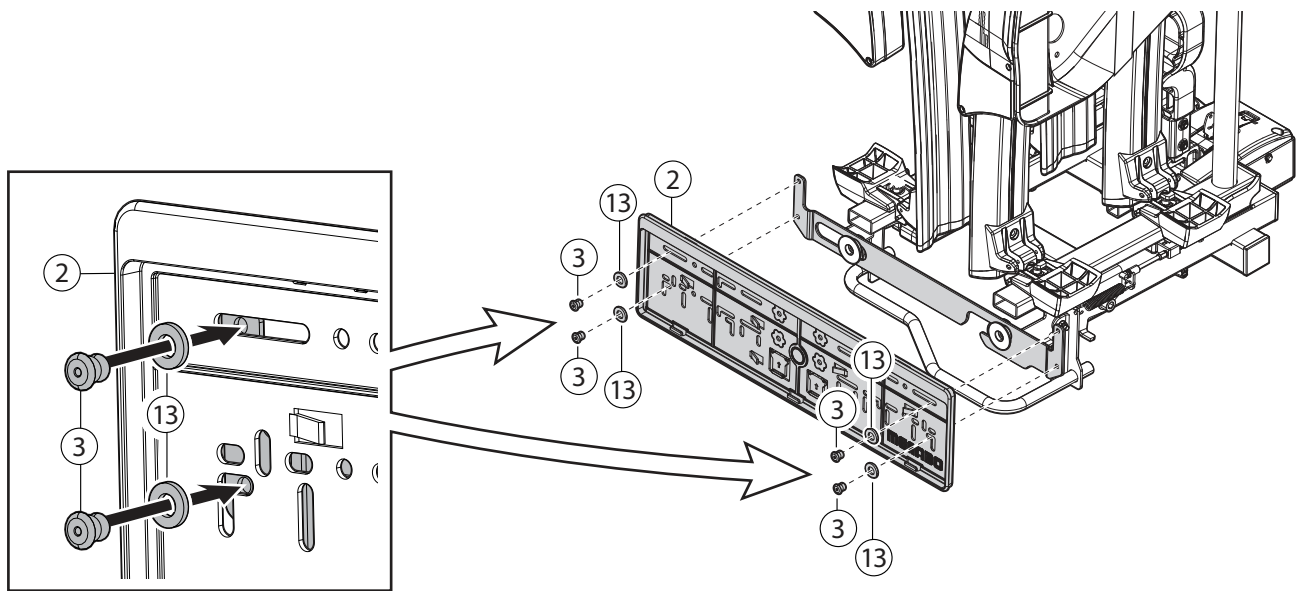
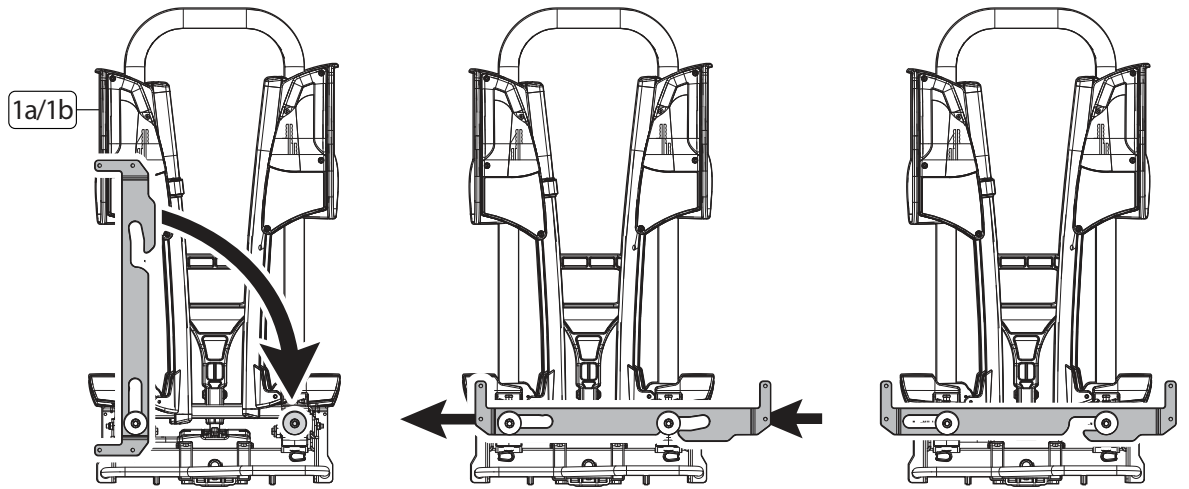
N.	[IT]Componenti (Inclusi) [EN]Components (Included) [FR]Composants (Comprises) [DE]Die Komponenten (im Lieferumfang enthalten) [ES]Componentes (Incluido)	Q.
1b		1
2		1
3		4
4		1
5		1
10		1
6		1
7		1
8		1
9		2
11		4
12		10
13		4

N.	[IT]Ricambi (A Richiesta) [EN]Spare Parts (Made to order) [FR]Pièces de rechange (Sur commande) [DE]E Teile (auf Anfrage) [ES]Piezas de recambio (Previa solicitud)	Codice-Code-Código	Q.
2		70007500000	1
3		700044400000	4
13			4
4		70003200000	1
5		700017800000	1
6		700033600000	1
7		700001100000	1
8		700033400000	1
10		700006900000	1
11		000026400000	1
12		700024000000	2
A		700033700000	1
B		700033800000	1
I		700034000000	1
L		700033900000	1
E		700034100000	2
F		700031500000	1
G		700031300000	1
H		700031400000	1

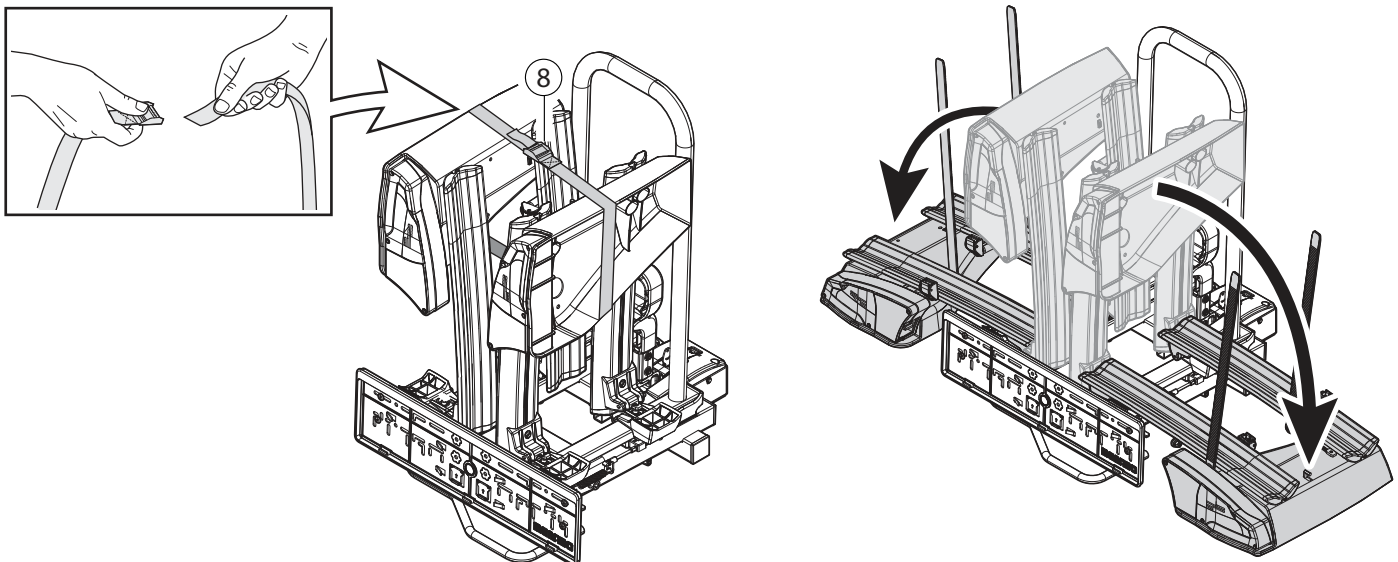


① — ANTARES 2 / ANTARES 3

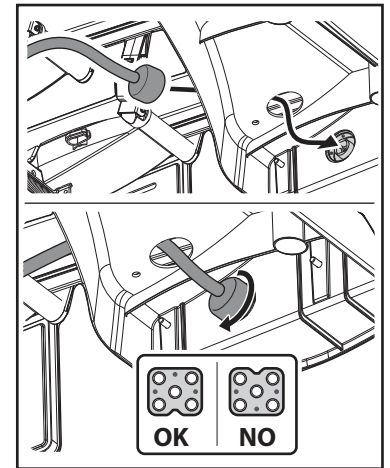
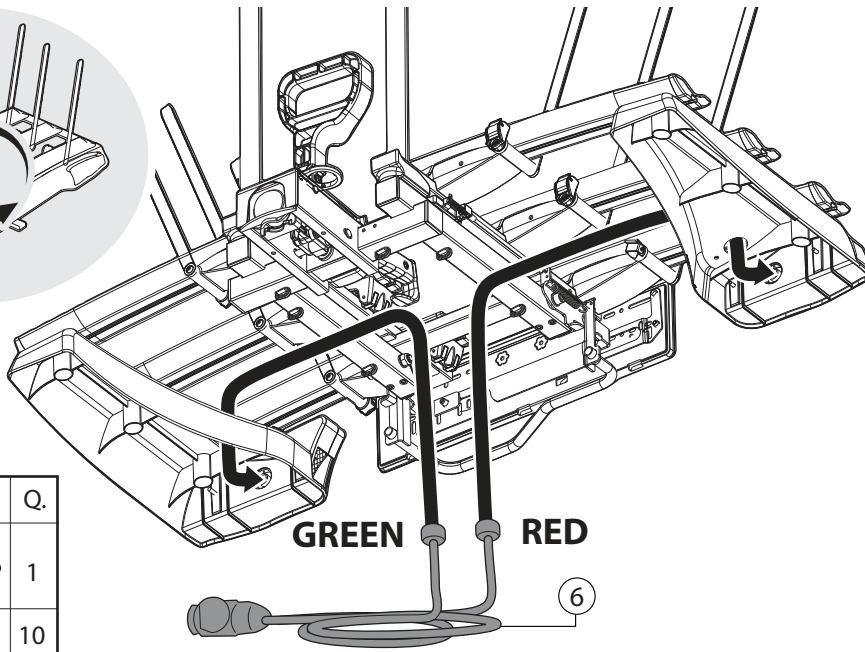
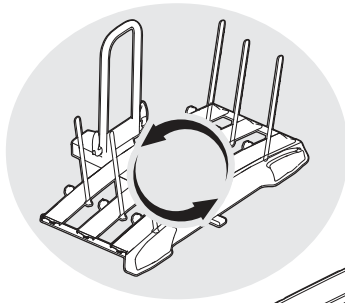
N		Q
1a		1
1b		1
2		1
3		4
13		4



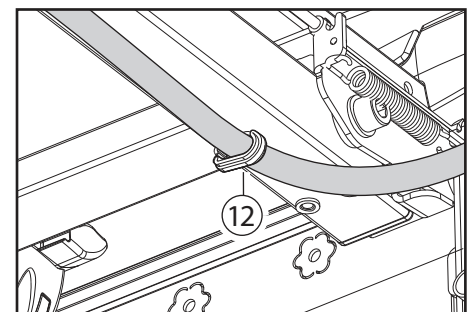
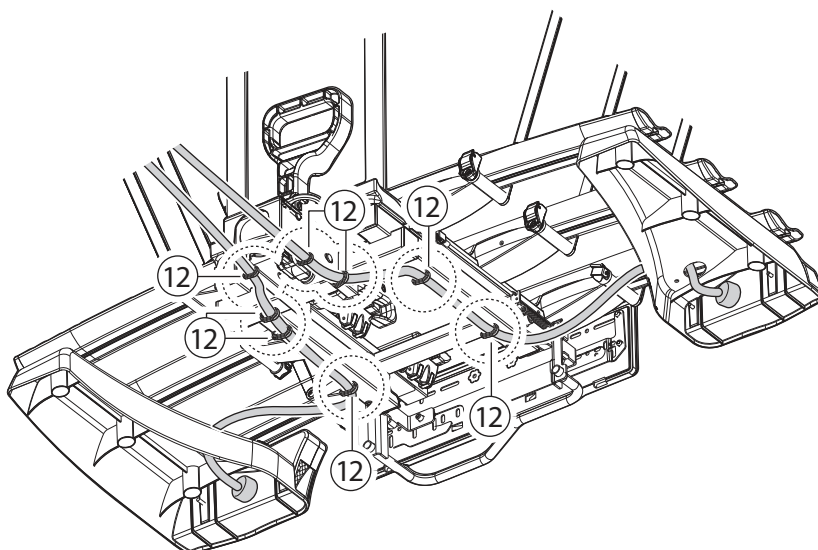
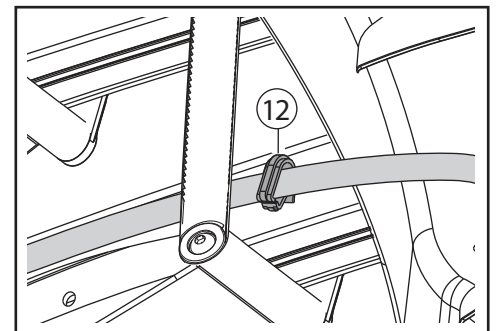
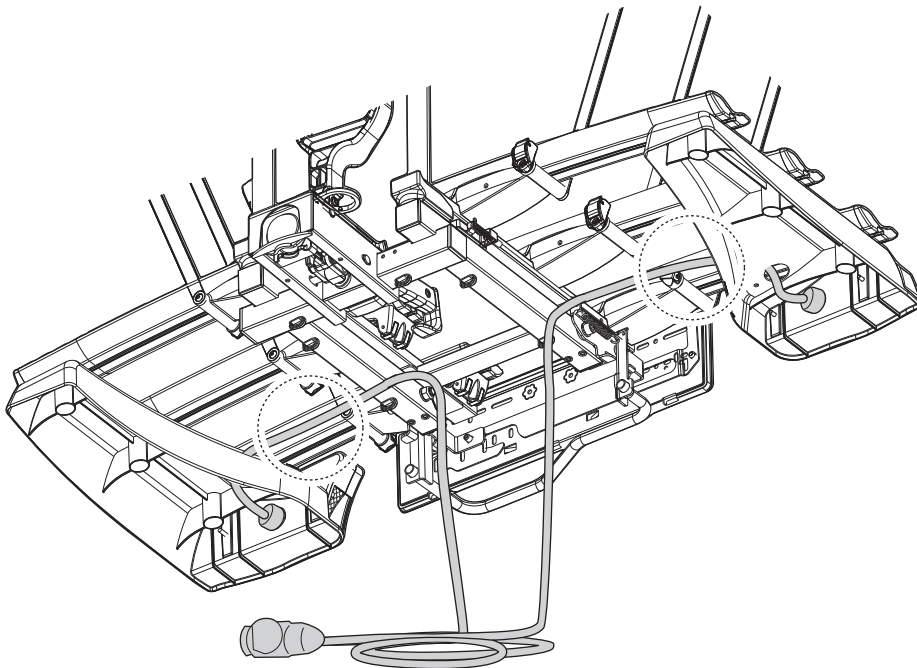
② — ANTARES 2 / ANTARES 3



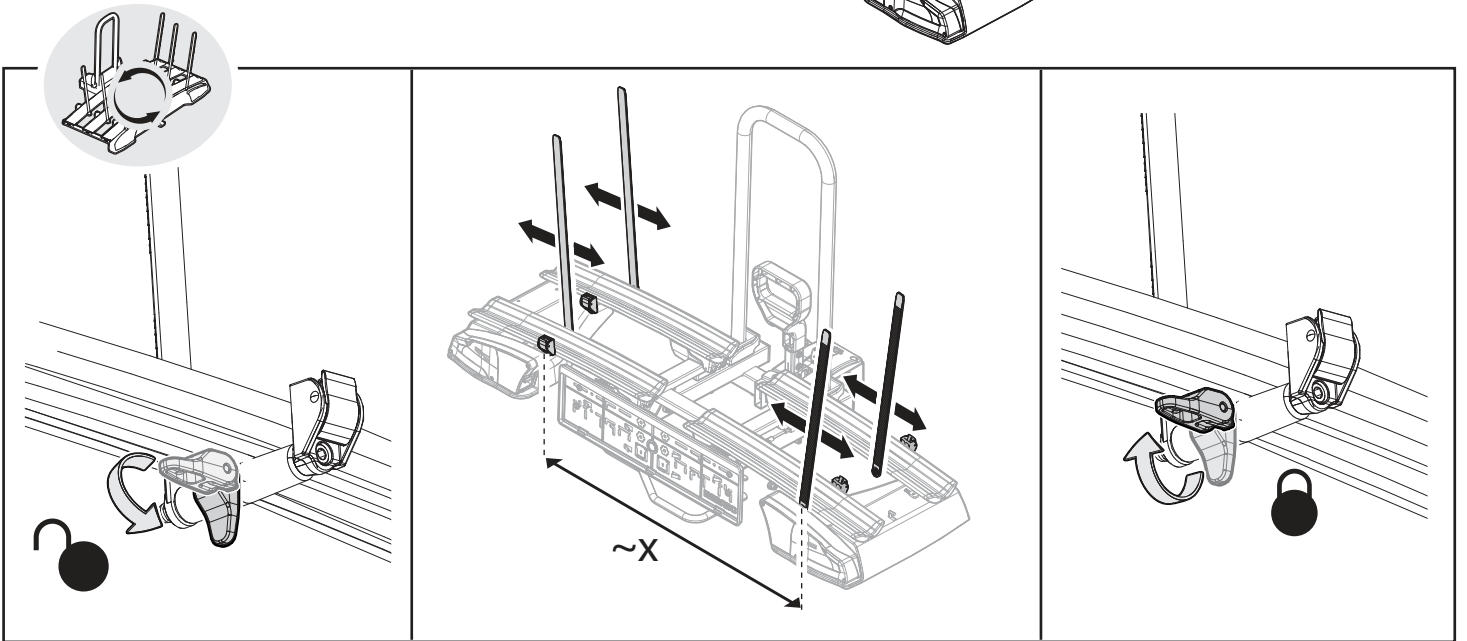
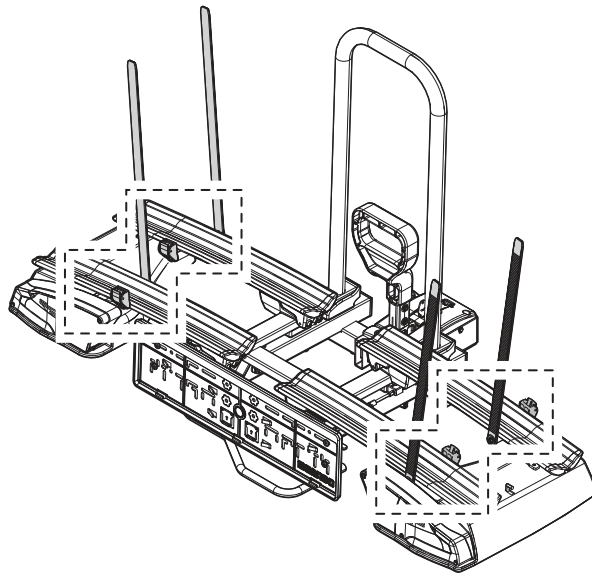
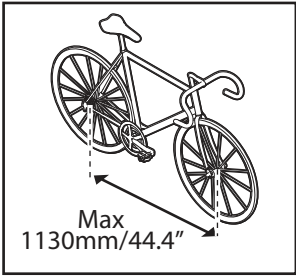
③ — ANTARES 2 / ANTARES 3



N.		Q.
6		1
12		10

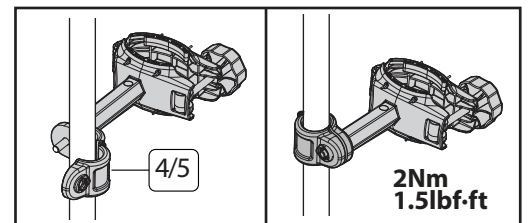
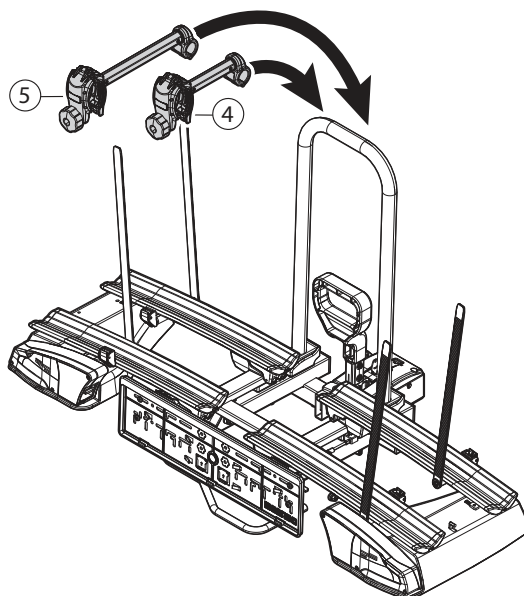


④ — ANTARES 2 / ANTARES 3

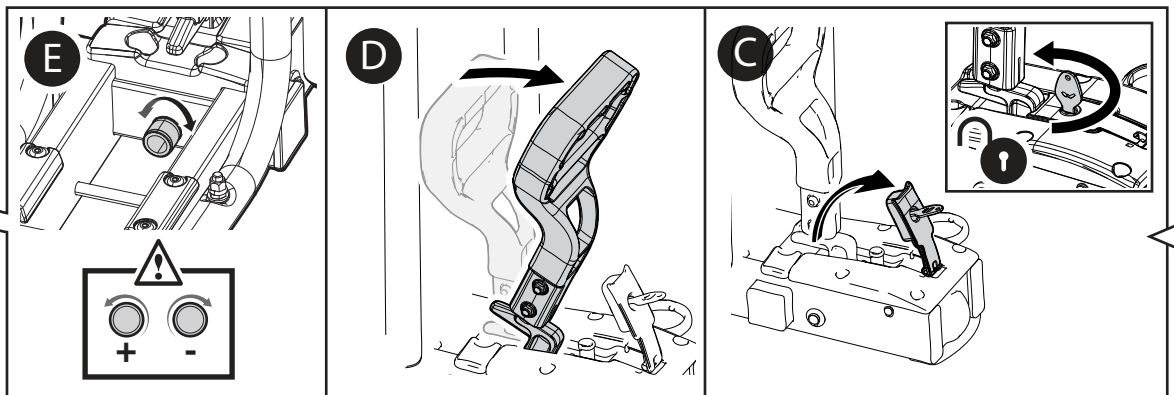
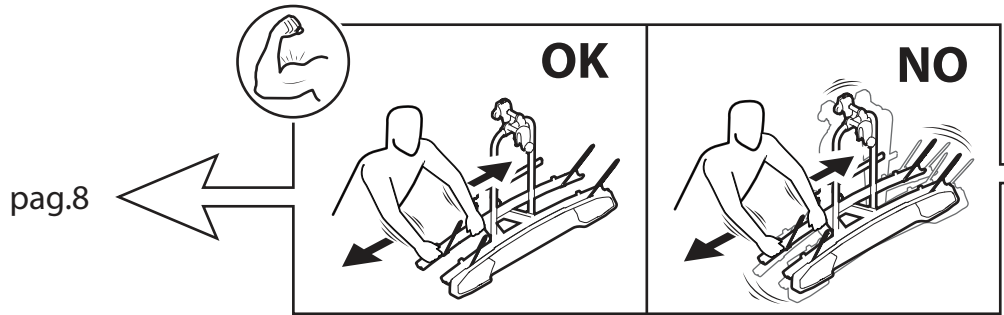
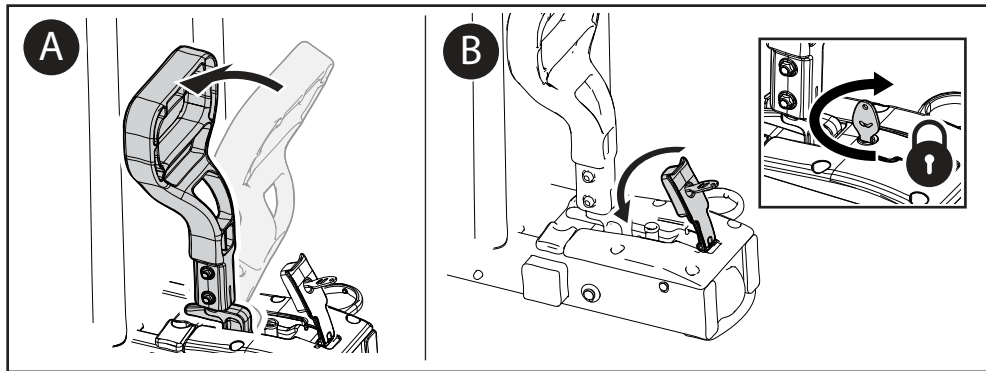
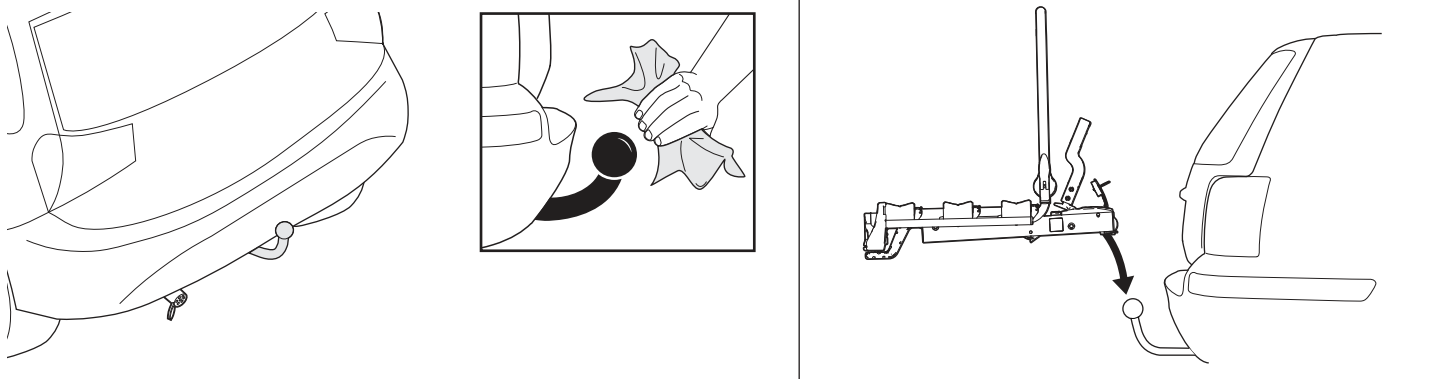
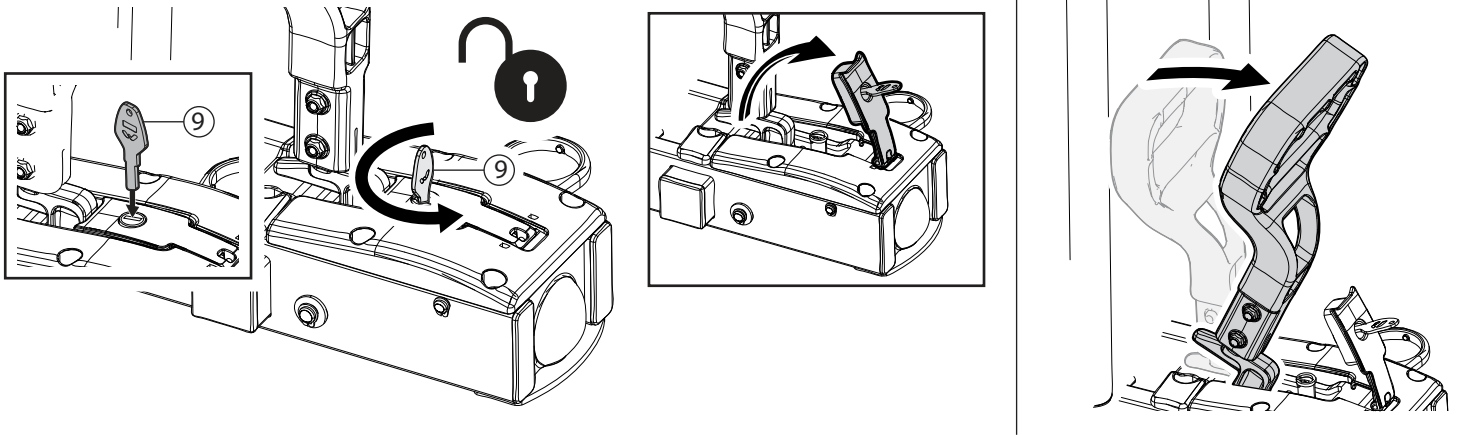


⑤ — ANTARES 2 / ANTARES 3

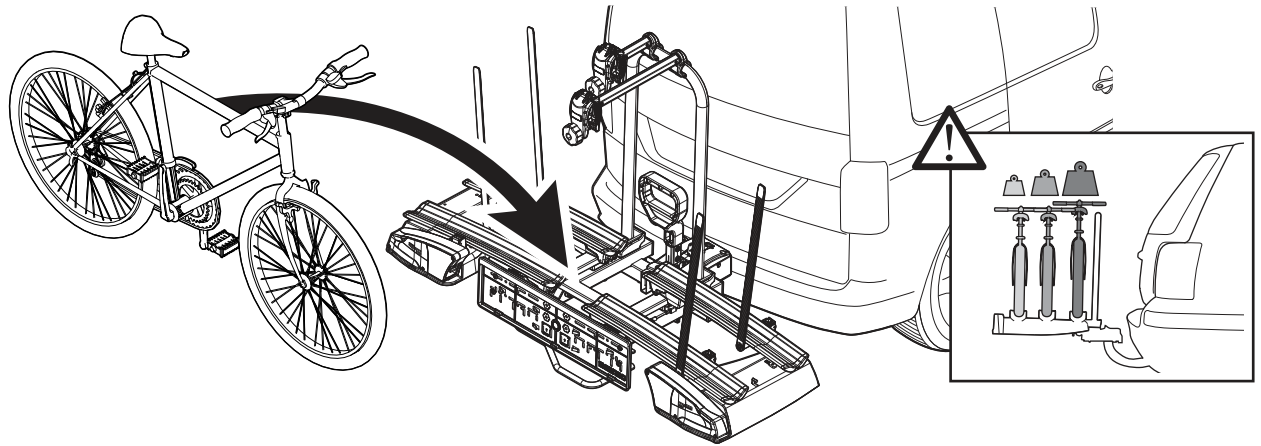
N		Q
4		1
5		1



6 ANTARES 2 / ANTARES 3



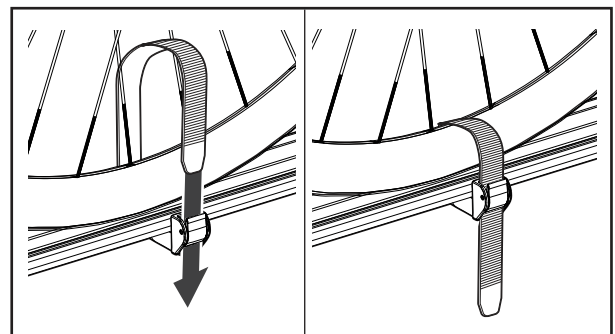
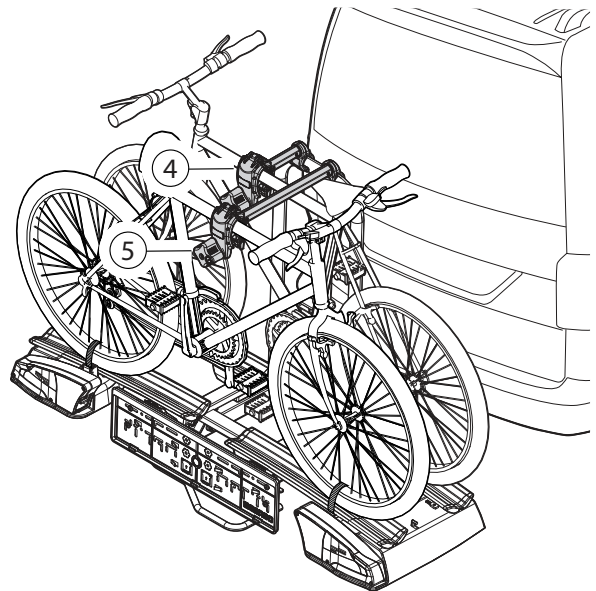
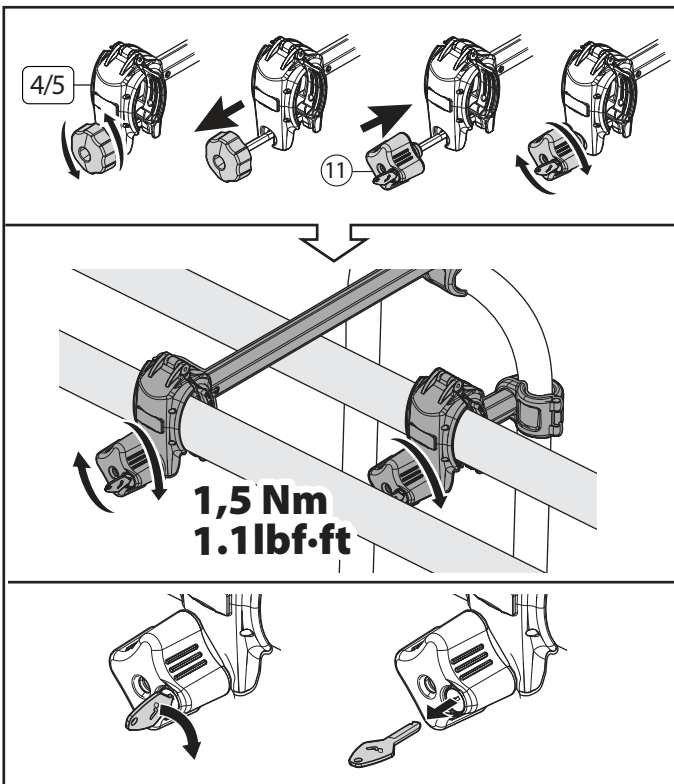
7 — ANTARES 2 / ANTARES 3



			MIN Ø30 mm / 1.2" MAX Ø50 mm / 2"		MIN 22" MAX 29"		MAX 110mm / 4.3"		MAX 1130mm / 44.4"
		MIN 30x60 mm / 1.2"x2.4" MAX 50x70 mm / 2"x 2.7"							

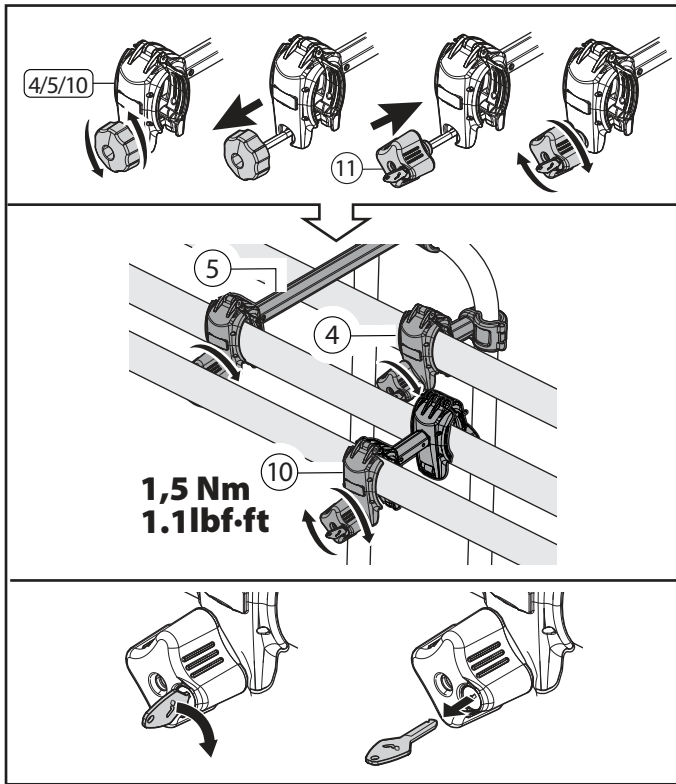
8 — ANTARES 2

N	Q
11	2

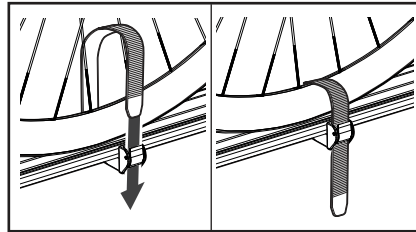
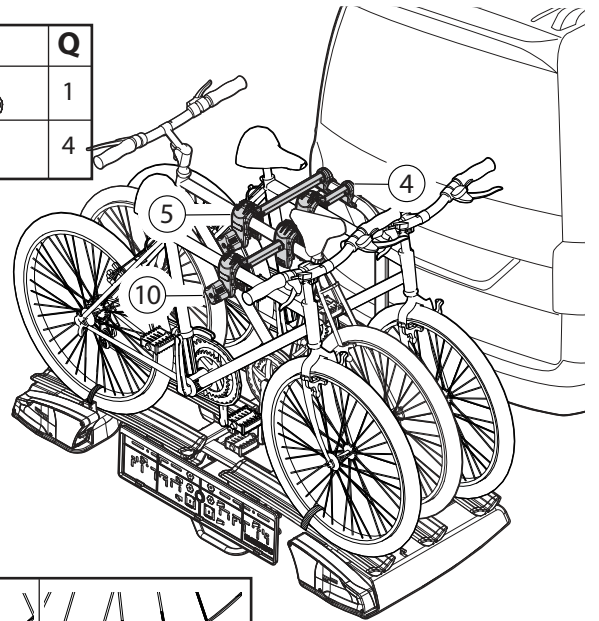




9— ANTARES 2 / ANTARES 3

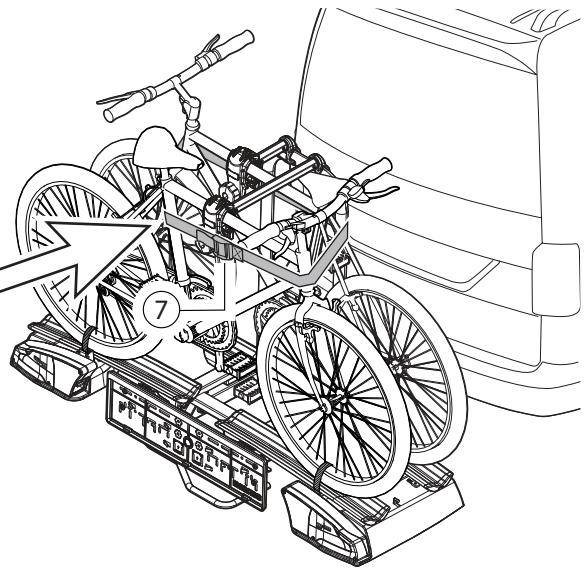
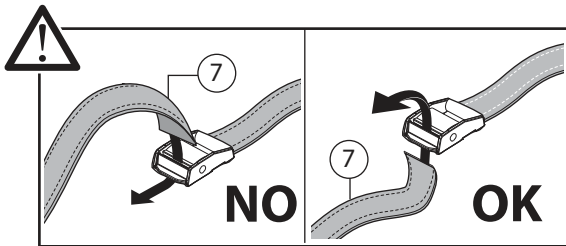


N		Q
10		1
11		4

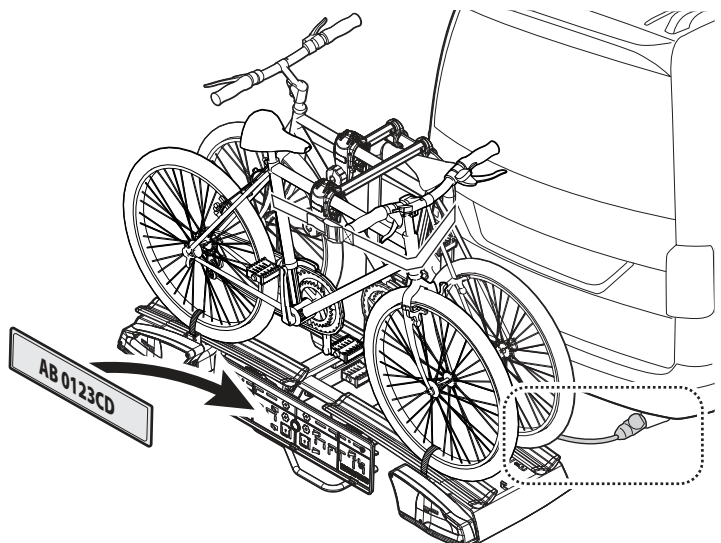
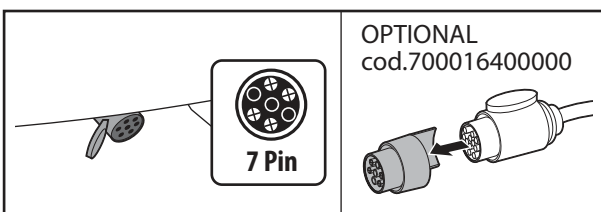
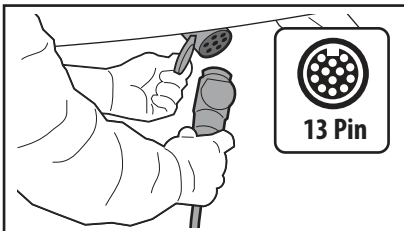


10— ANTARES 2 / ANTARES 3

N.		Q.
7	2,5m - 8ft	1

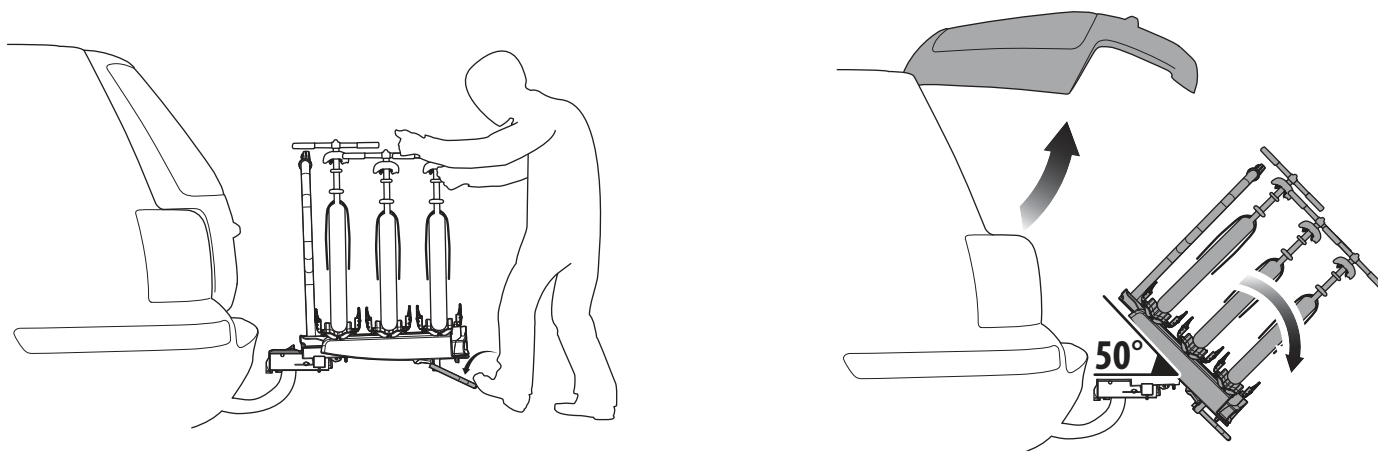


11— ANTARES 2 / ANTARES 3

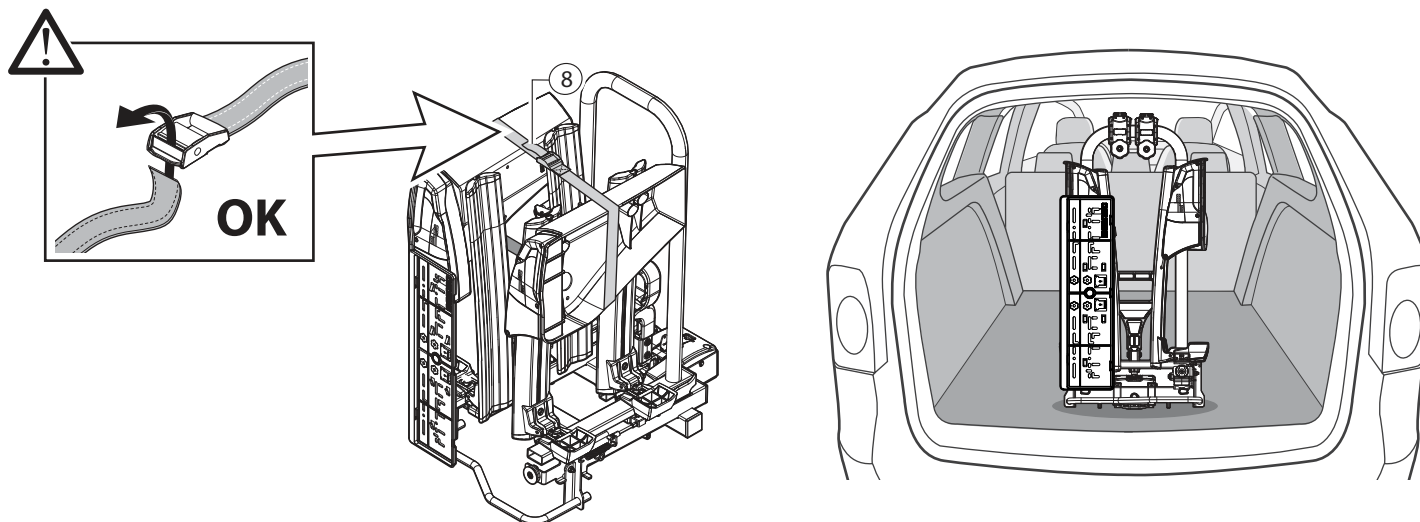
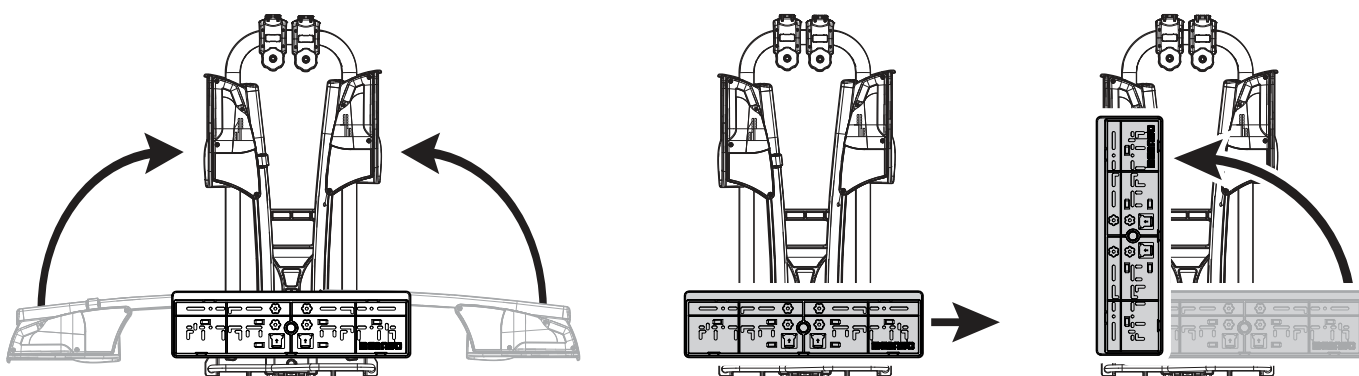


12 — ANTARES 2 / ANTARES 3

TILTING SYSTEM

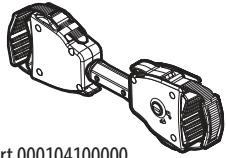


13 — ANTARES 2 / ANTARES 3



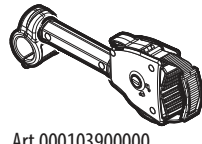
## OPTIONAL

**BRACCETTO DOPIO  
DOUBLE RATCHET**



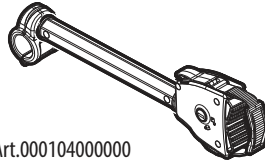
Art.000104100000

**BRACCETTO CORTO  
SHORT RATCHET**



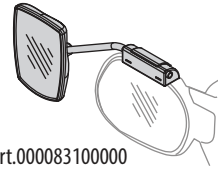
Art.000103900000

**BRACCETTO LUNGO  
LONG RATCHET**



Art.000104000000

**EVIDENCE MIRROR**



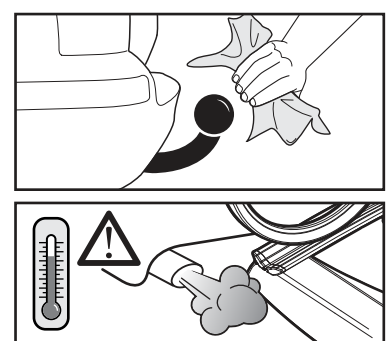
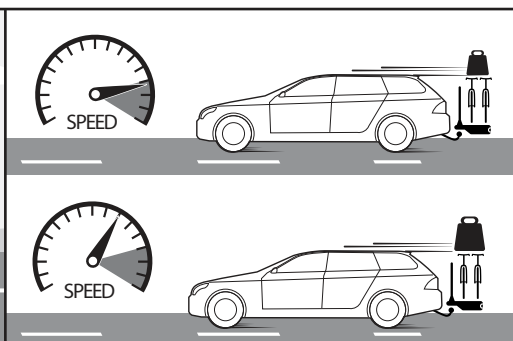
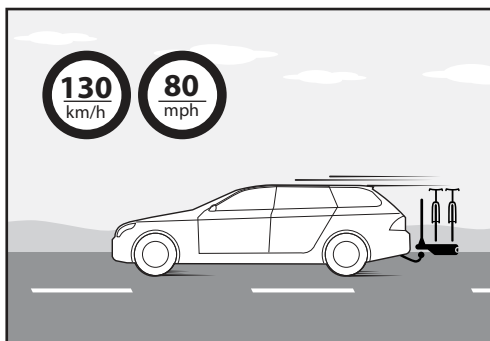
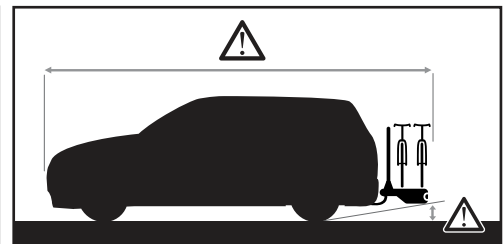
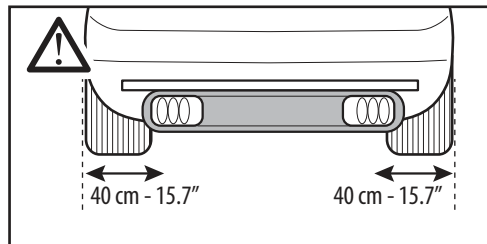
Art.000083100000

**RAMPA  
RAMP**



Art.000082100000

<b>MAX</b>  <b>94/20/CE STANDARD</b>	 <b>Antares 2</b>	 <b>x2</b> <b>MAX 30kg - 66lb</b>	 <b>Antares 3</b>	<b>Standard</b>  <b>x3</b> <b>MAX 20kg - 44lb</b>	<b>E-bike</b>  <b>x2</b> <b>MAX 30kg - 66lb</b>	 <b>Car Manual</b>
	<b>16 kg - 35.2lb</b>	<b>34 kg - 75lb</b> <b>44 kg - 97lb</b> <b>54 kg - 119lb</b> <b>64 kg - 141lb</b> <b>64 kg - 141lb</b>	<b>18,4kg - 40.5lb</b>	<b>OR</b>  <b>MAX 20kg - 44lb</b>	 <b>MAX 30kg - 66lb</b> <b>31.6 kg - 69.6lb</b> <b>41.6 kg - 92lb</b> <b>51.6 kg - 114lb</b> <b>61.6 kg - 136lb</b> <b>61.6 kg - 136lb</b>	
50 kg - 110lb						
60 kg - 132lb						
70 kg - 154.3lb						
80 kg - 176.4lb						
>80 kg - 176.4lb						





**F.lli Menabò S.r.l.**  
Via 8 Marzo, 3  
42025 Cavriago (RE) Italy  
cutomercare@flli-menabo.it  
www.menabocaraccessories.com

#### Product registration

IT) [eu.menabocaraccessories.com/ita/product-support-ita](http://eu.menabocaraccessories.com/ita/product-support-ita)  
EN) [eu.menabocaraccessories.com/eng/product-support-eng](http://eu.menabocaraccessories.com/eng/product-support-eng)  
DE) [eu.menabocaraccessories.com/deu/product-support-deu](http://eu.menabocaraccessories.com/deu/product-support-deu)  
FR) [eu.menabocaraccessories.com/fra/product-support-fra](http://eu.menabocaraccessories.com/fra/product-support-fra)  
ES) [eu.menabocaraccessories.com/esp/product-support-esp](http://eu.menabocaraccessories.com/esp/product-support-esp)

Cod.Istr.	Data
500038900000	22/04/2021

www.menabocaraccessories.com

Name

Surname

Email

Telephone

Serial number

Product name