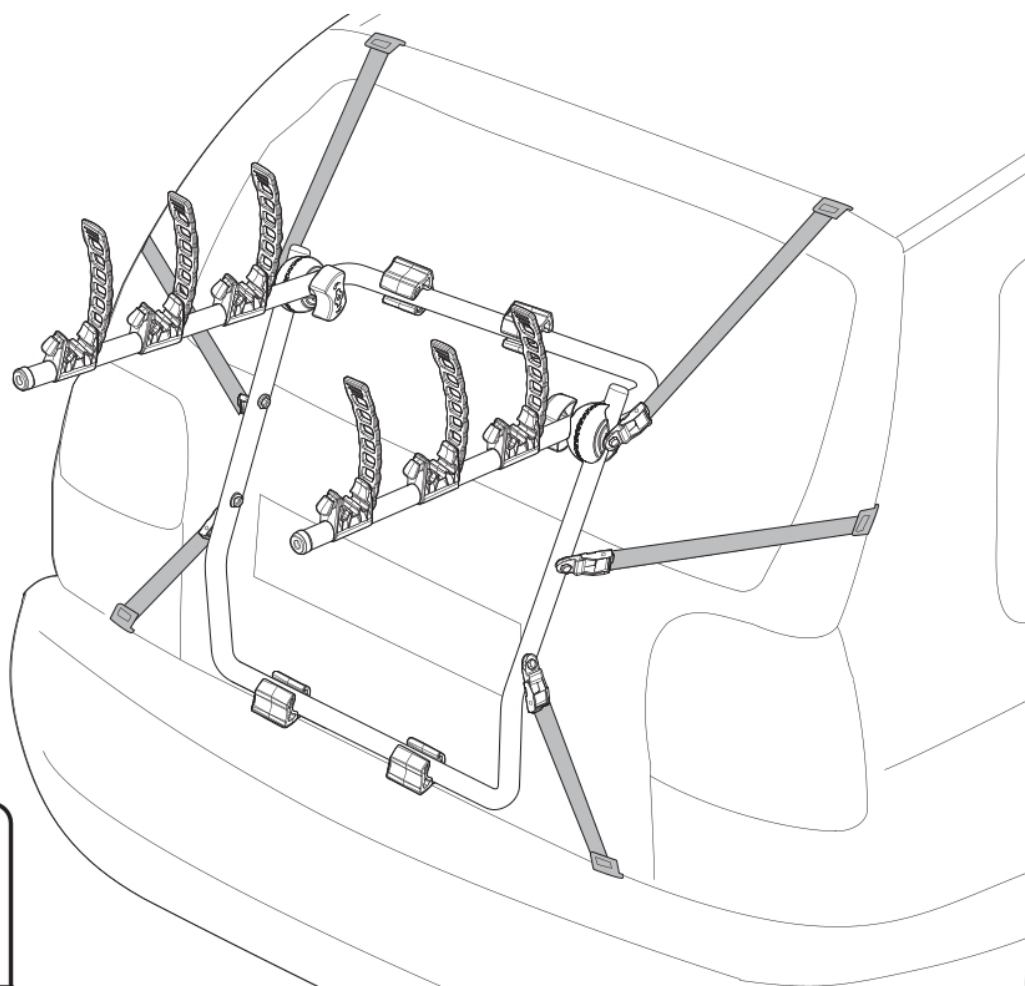


# MEPABO

free time on the move

## MISTRAL

IT Istruzioni di montaggio	ET Paigaldusjuhend	PT Instruções de Montagem
EN Fitting instructions	FI Asennusohje	RO Instrucțiuni de montare
DE Montageanleitung	HR Uputa za sastavljanje	RU Инструкции по установке
FR Instructions de montage	HU A felszerelés módja	SK Návod na montáž
ES Instrucciones de montaje	LT Pritvirtinimo instrukcijos	SL Navodila za pritrjevanje
BG инструкции за сглобяване	LV Stiprināšanas instrukcija	SV Monteringsanvisning
CS Návod na montáž	NL Instrukcja montażu	TK Uydurma talimat
DA Monteringsvejledning	NO Monteringsveiledning	ZH 裝修指導
EL Οδηγίες συναρμολόγησης	PL Instrukcja montażu	AR تعليمات التجميع

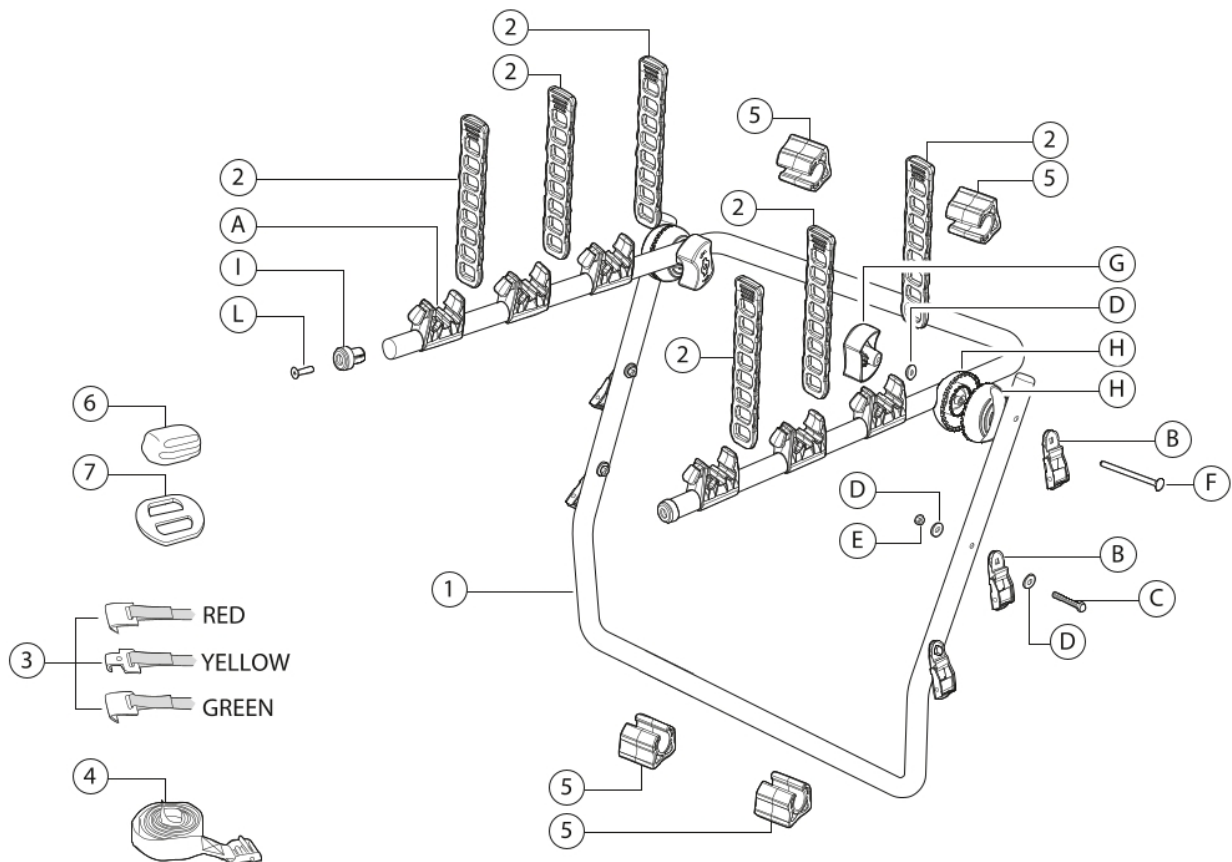


Made in Italy



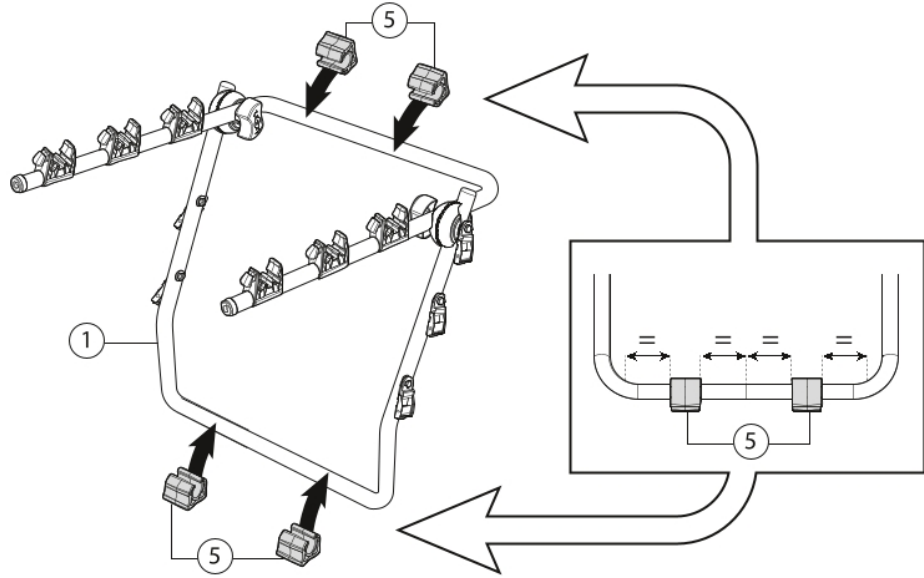
N.	(IT)Componenti (Inclusi) (EN)Components (Included) (FR)Composants (Compris) (DE)Die Komponenten (im Lieferumfang enthalten) (ES)Componentes (Incluido)	Q.
1		1
2		6
3	 RED 2 YELLOW 2 GREEN 2	2 2 2
4	 2,5m / 8 ft	1
5		4
6		4
7		4

N.	(IT)Ricambi (A Richiesta) (EN)Spare Parts (Made to order) (FR)Pièces de rechange (Sur commande) (DE)E Teile (auf Anfrage) (ES)Piezas de recambio (Previa solicitud)	Q.	Codice-Code-Código
2		1	700016900000
A		1	
B		4	700001800000
C	 M6x35	4	
D		4	
E		4	
F	 M6x95	4	
3	 2,5m / 8 ft	1	700002200000
4	 2,5m / 8 ft	1	700001100000
5		1	700015600000
6		4	700002600000
7		2	700002400000
G		1	700017000000
H		2	700002000000
I		2	700035900000
L	 6,3x38	2	



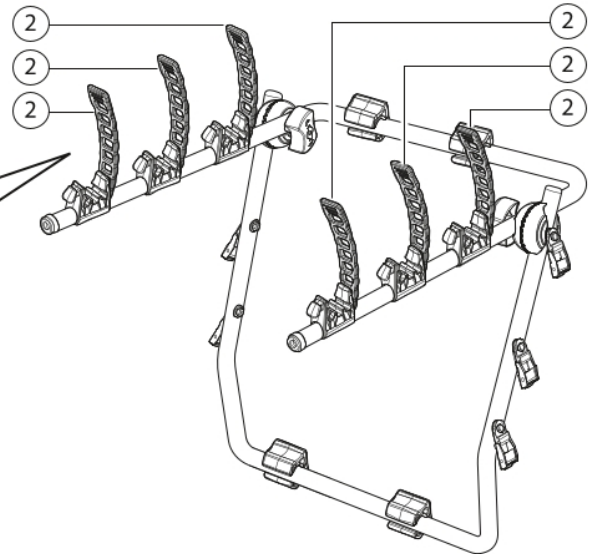
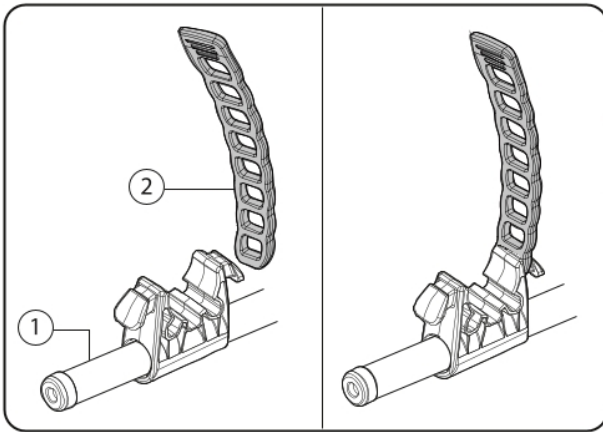
①

N.	Q.
1	1
5	4

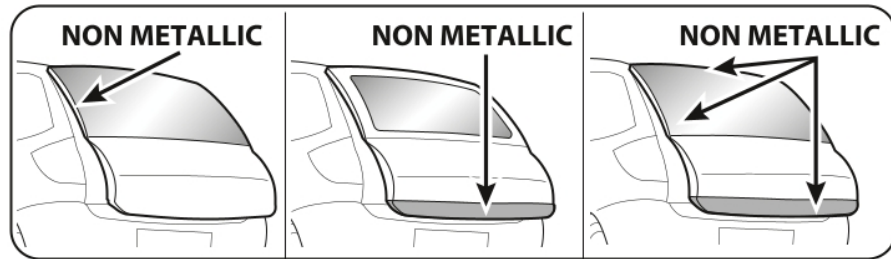
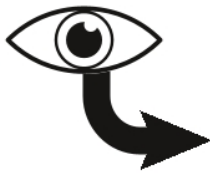


②

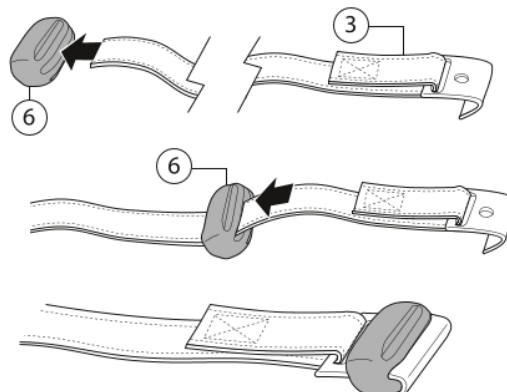
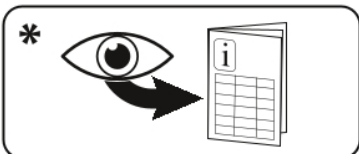
N.	Q.
2	6

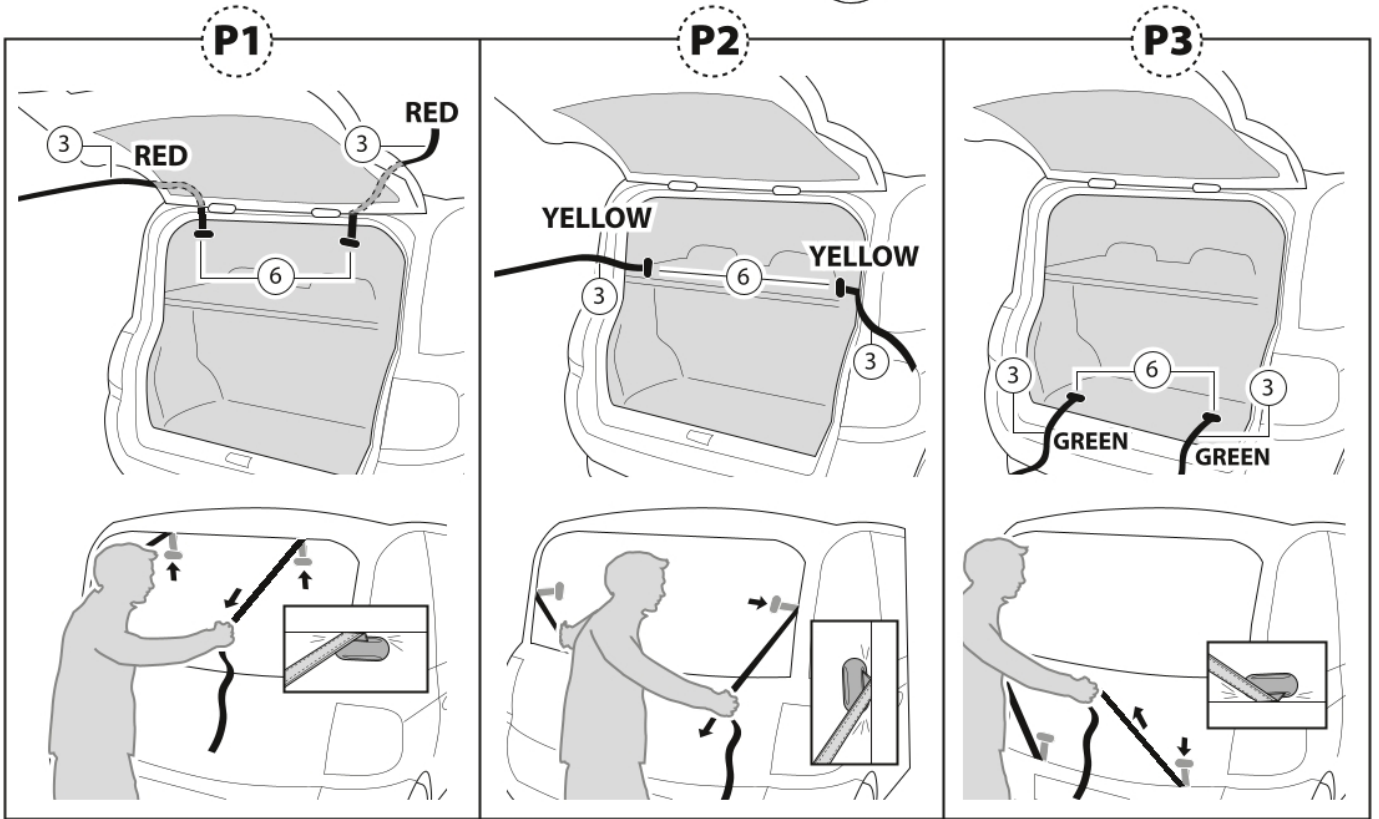
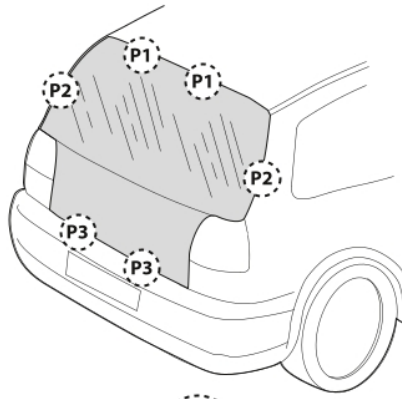


③



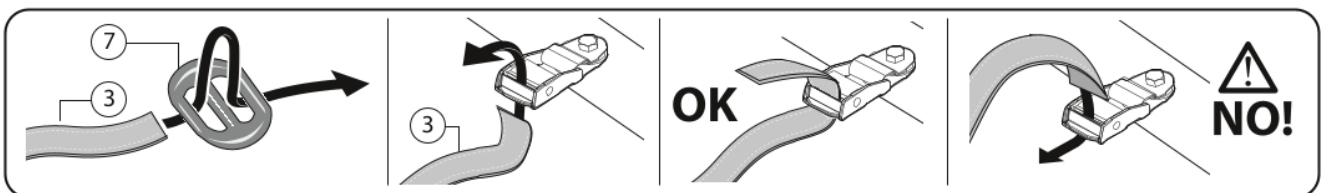
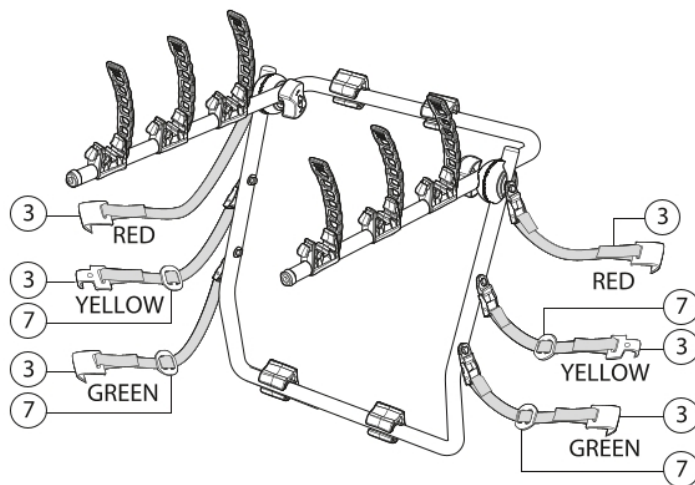
N.	Q.
6	2/4 *
3	RED 2
	YELLOW 2
	GREEN 2

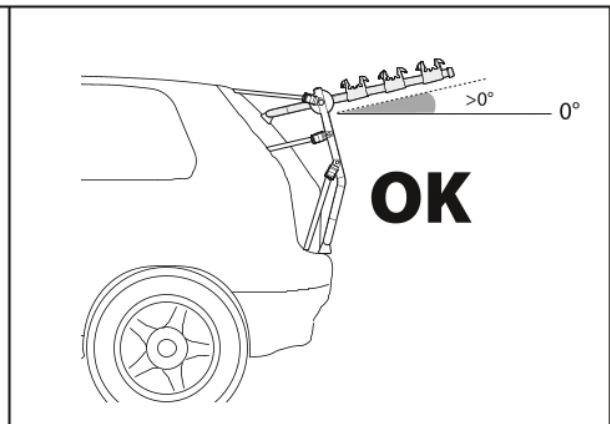
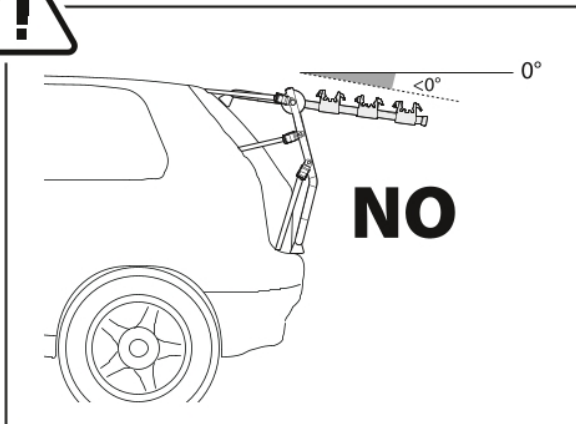
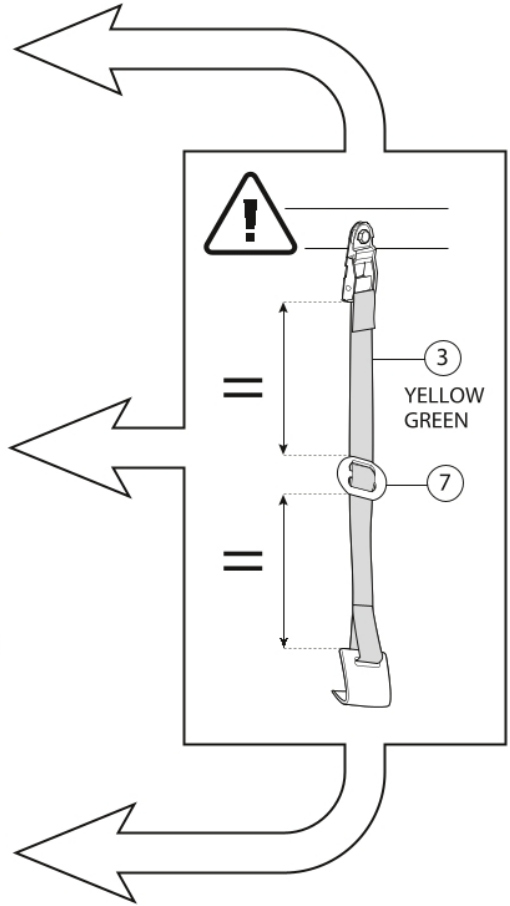
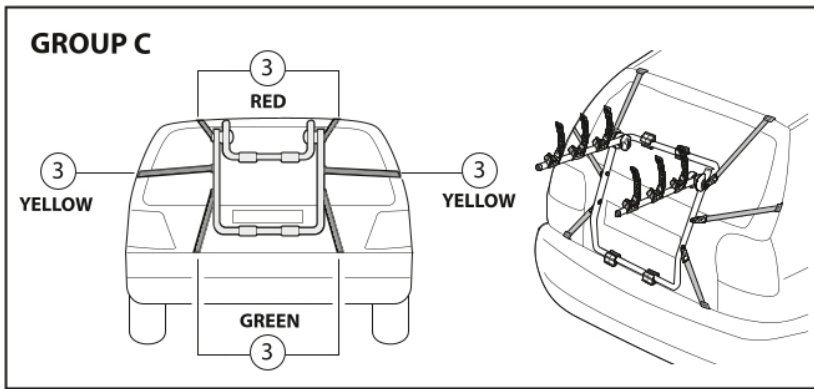
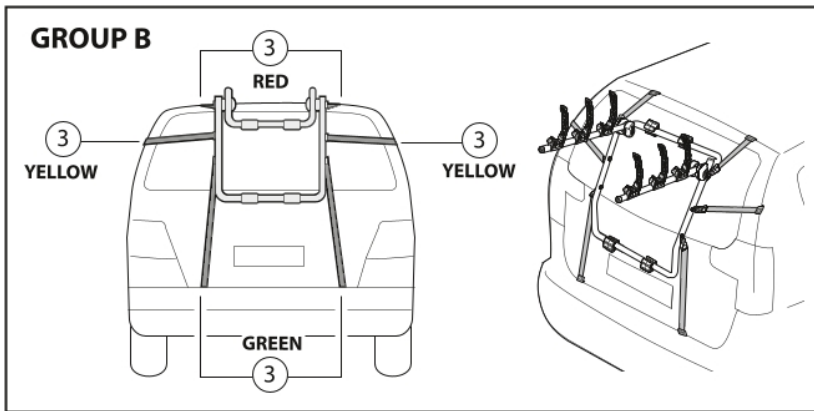
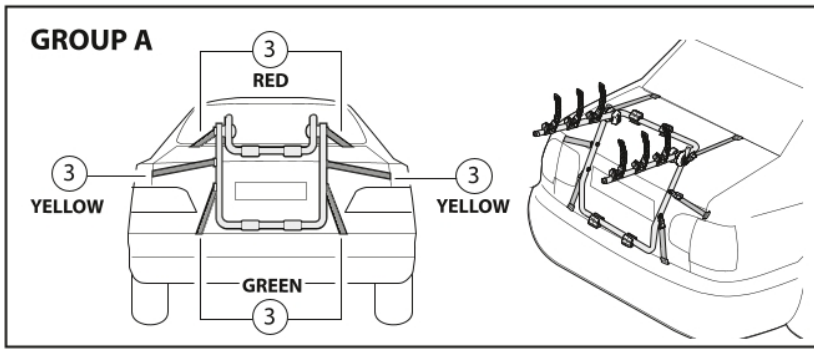




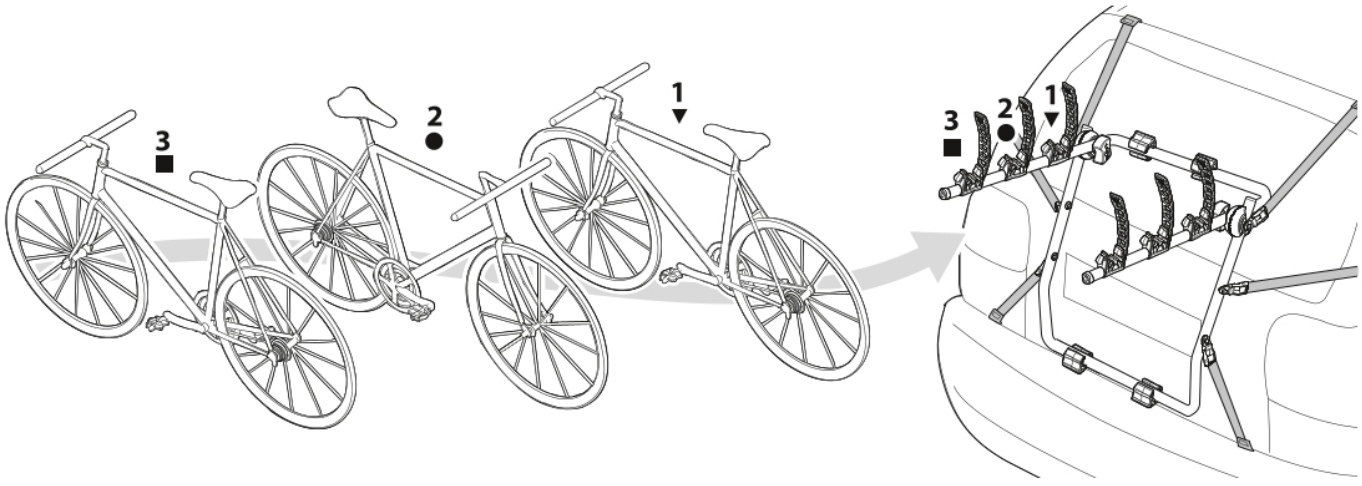
④



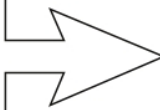


N.	Q.
7	4

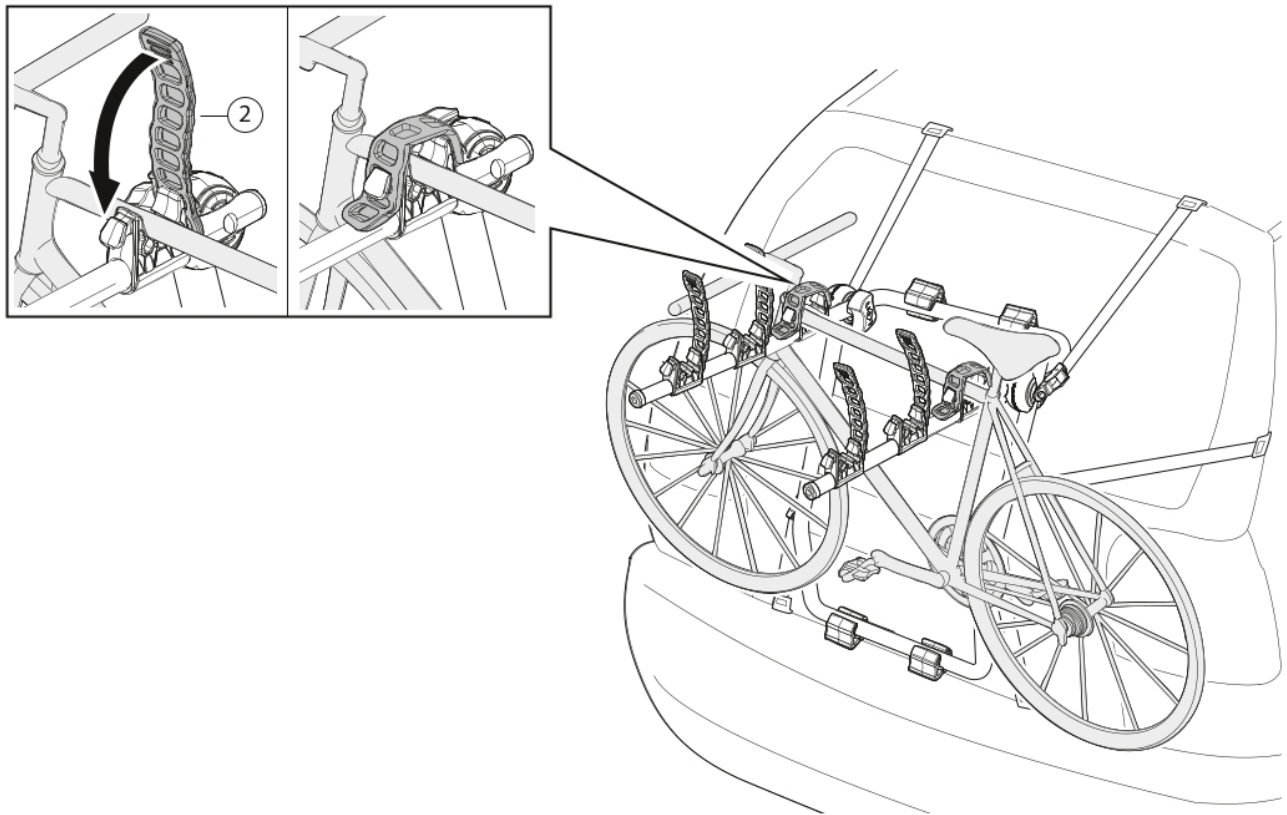


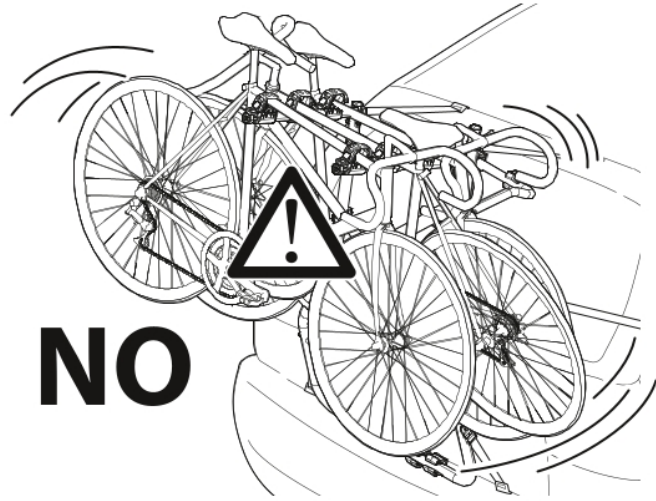
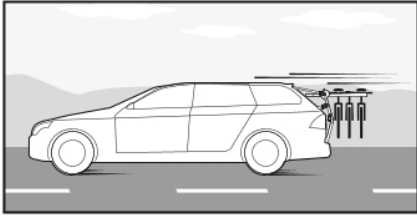


		<p>● <b>MIN</b> Ø25 mm / 1" <b>MAX</b> Ø60 mm / 2.3"</p> <p>■ ▽ <b>MIN</b> 30x50 mm / 1.2"x2" <b>MAX</b> 50x75 mm / 2"x3"</p>		<p>no limit</p>		<p>no limit</p>		<p>no limit</p>
---	---	---	---	-----------------	---	-----------------	---	-----------------




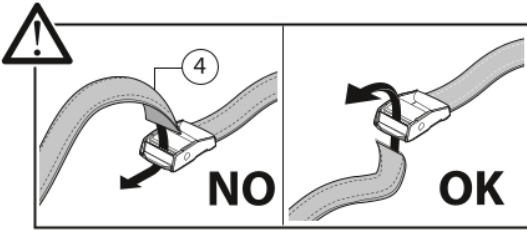
					<b>OK</b>
			<p><b>OPTIONAL</b> Cod. Art 000020600000</p>		





**NO**

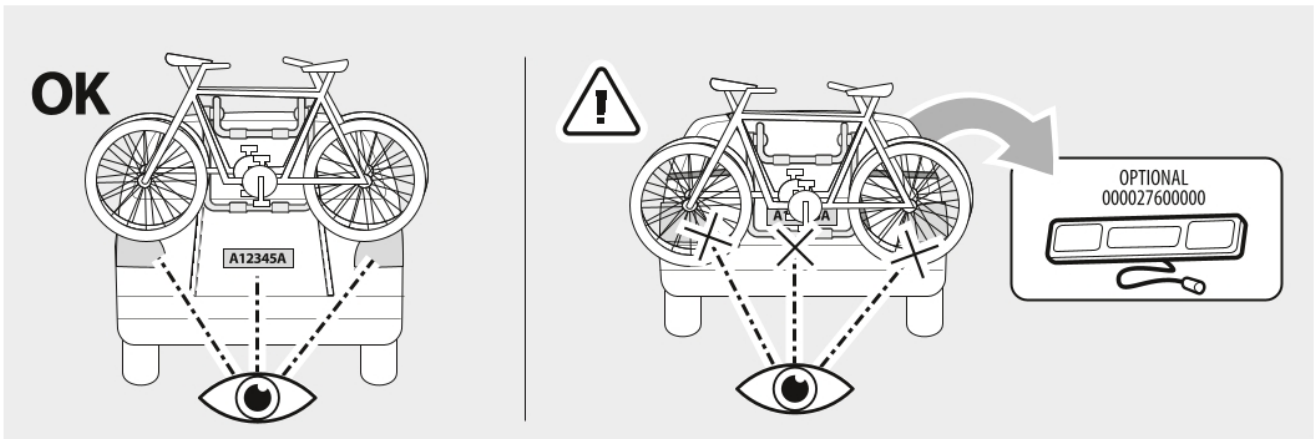
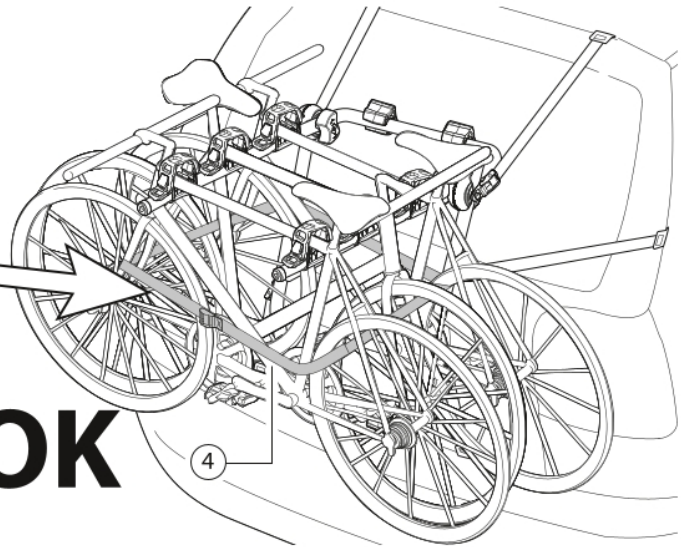
N.		Q.
4	 2,5m / 8 ft	1



**NO**

**OK**




**OK**

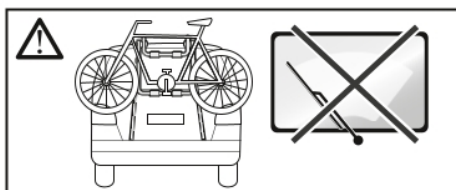
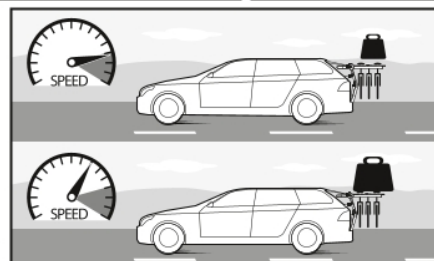
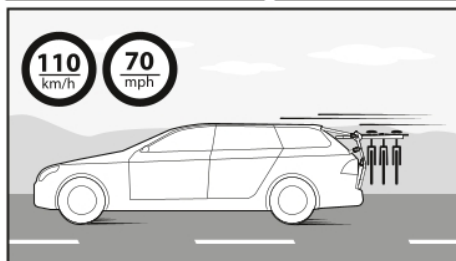
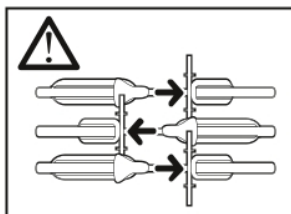
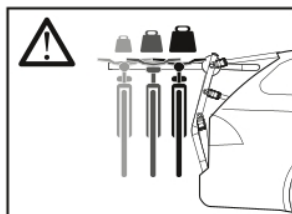
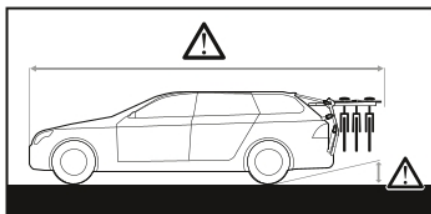


**OK**



OPTIONAL  
000027600000

 Mistral	 4,4 kg / 9.7lb	 x3 Max 15kg / 33lb Max 45 kg / 99lb
--	---	--



F.lli Menabò S.r.l.  
Via 8 Marzo, 3 -Z.I. Corte Tegge  
42025 Cavriago (RE) ITALY  
customercare@flli-menabo.it  
www.menabocaraccessories.com

Cod.Istr.	100021400004
Data	09/02/2021

#### Product registration

IT) [eu.menabocaraccessories.com/ita/product-support-ita](http://eu.menabocaraccessories.com/ita/product-support-ita)  
EN) [eu.menabocaraccessories.com/eng/product-support-eng](http://eu.menabocaraccessories.com/eng/product-support-eng)  
DE) [eu.menabocaraccessories.com/deu/product-support-deu](http://eu.menabocaraccessories.com/deu/product-support-deu)  
FR) [eu.menabocaraccessories.com/fra/product-support-fra](http://eu.menabocaraccessories.com/fra/product-support-fra)  
ES) [eu.menabocaraccessories.com/esp/product-support-esp](http://eu.menabocaraccessories.com/esp/product-support-esp)

[www.menabocaraccessories.com](http://www.menabocaraccessories.com)

Name

Surname

Email

Telephone

Serial number

Product name