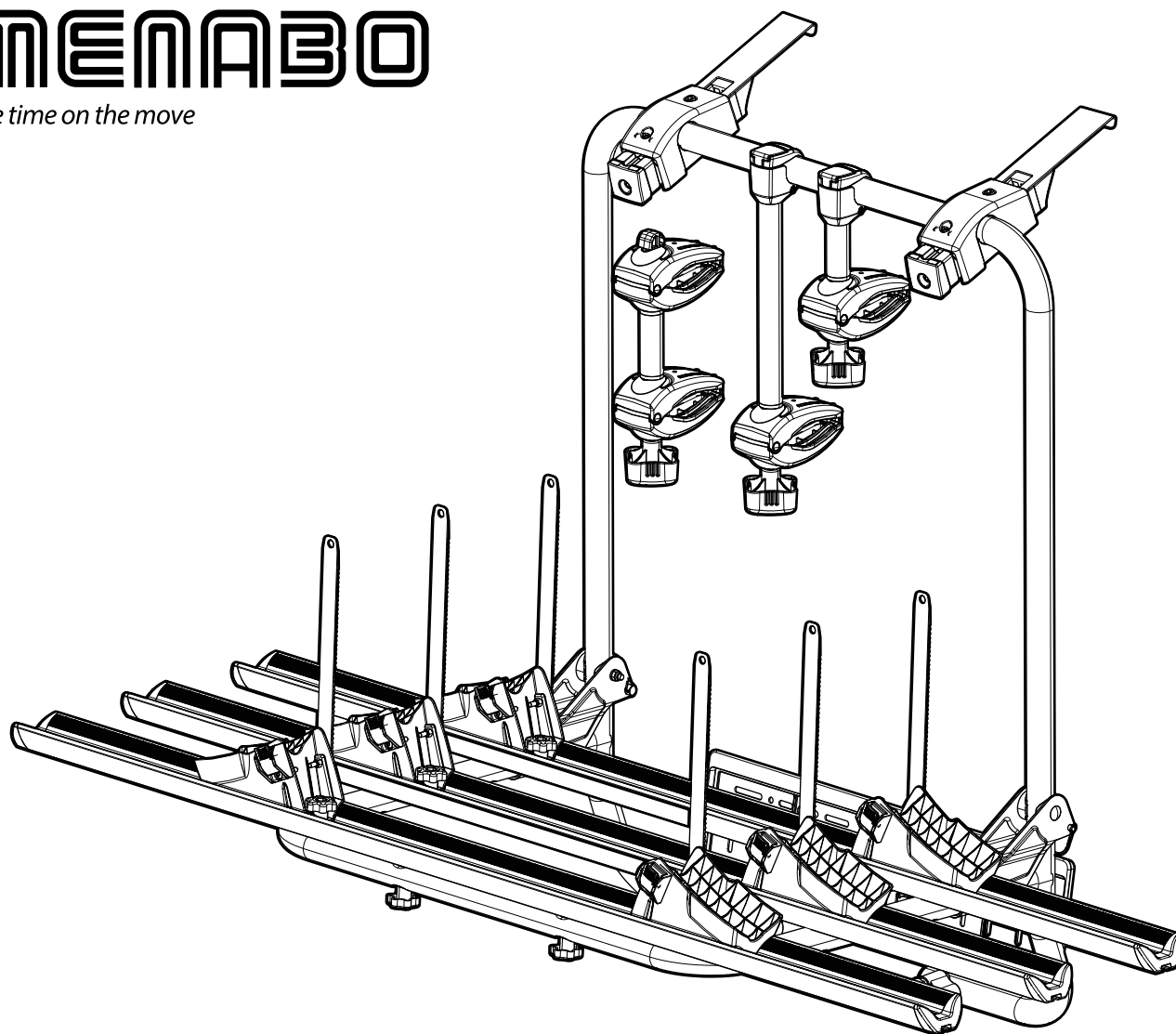


MENABO

free time on the move



SHADOW CADDY BLACK

IT Istruzioni di montaggio

EN Fitting instructions

DE Montageanleitung

FR Instructions de montage

ES Instrucciones de montaje

BG инструкции за сглобяване

CS Návod na montáž

DA Monteringsvejledning

EL Οδηγίες συναρμολόγησης

ET Paigaldusjuhend

FI Asennusohje

HR Uputa za sastavljanje

HU A felszerelés módja

LT Pritvirtinimo instrukcijos

LV Stiprināšanas instrukcija

NL Montagehandleiding

NO Monteringsanvisning

PL Instrukcja montażu

PT Instruções de Montagem

RO Instrucțiuni de montare

RU Инструкции по установке

SK Návod na montáž

SL Navodila za pritrdjevanje

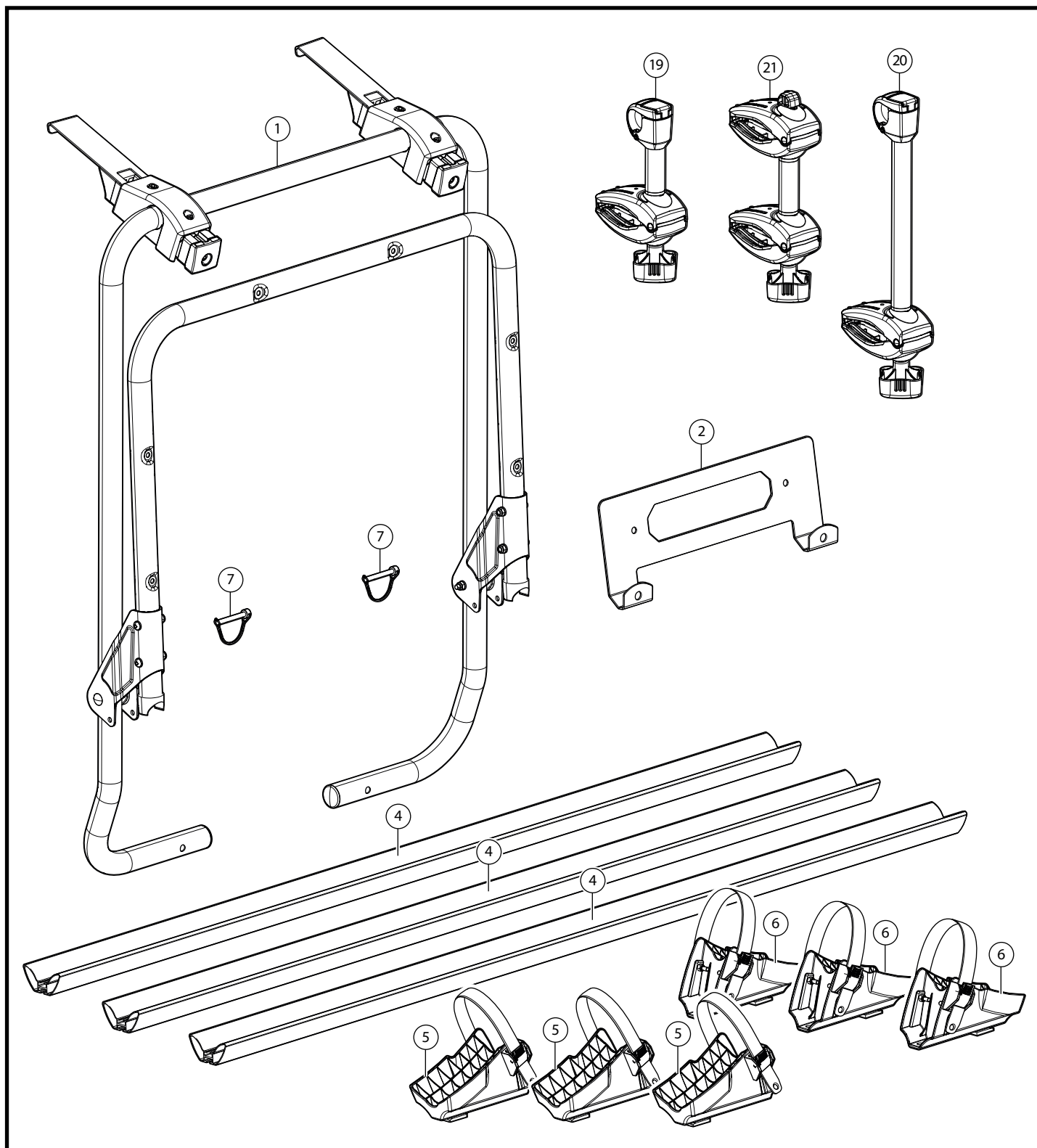
SV Monteringsanvisning

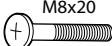
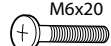
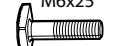
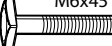






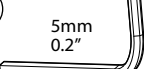

TK Uydurma talimat

ZH 裝修指導

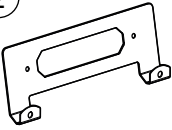
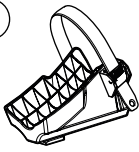
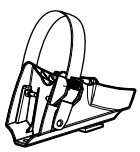

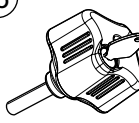


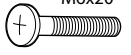


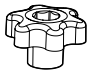
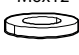

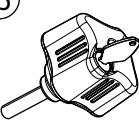

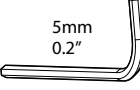

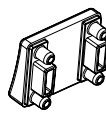
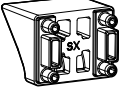
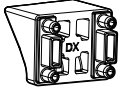
AR كتيب التعليمات

**IT) Componenti (Inclusi) | EN) Components (Included) | FR) Composants (Comprises)
 DE) Die Komponenten (im Lieferumfang enthalten) | ES) Componentes (Incluido)**

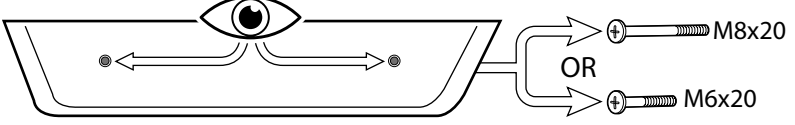
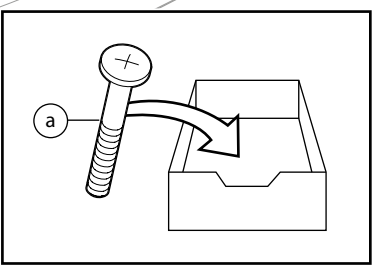
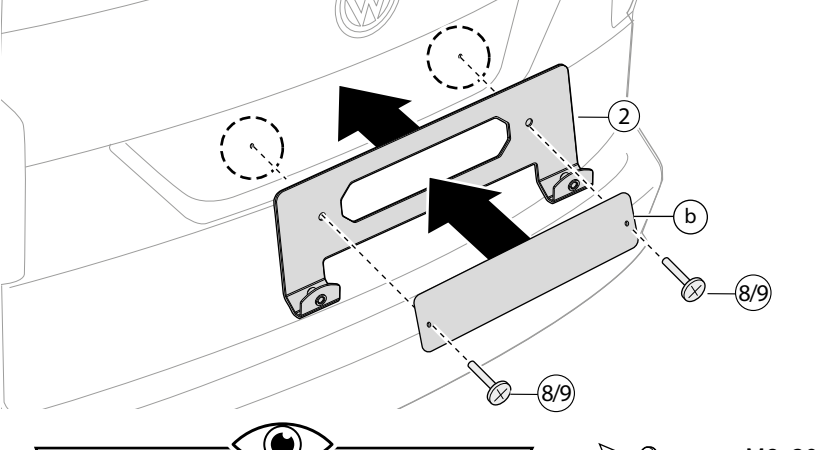
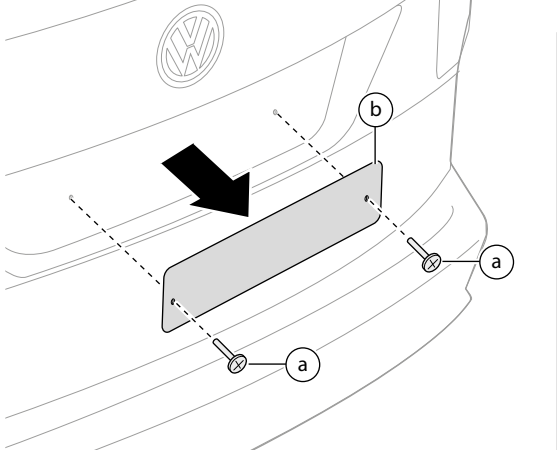


<p>8</p>  <p>M8x20</p> <p>x2</p>	<p>9</p>  <p>M6x20</p> <p>x2</p>	<p>10</p>  <p>M6x25</p> <p>x6</p>	<p>11</p>  <p>M6x45</p> <p>x6</p>	<p>12</p>  <p>x4</p>	<p>13</p>  <p>x2</p>
<p>14</p>  <p>x6</p>	<p>15</p>  <p>x12</p>	<p>16</p>  <p>M6x12</p> <p>x6</p>	<p>17</p>  <p>x3</p>	<p>18</p>  <p>5mm 0.2"</p> <p>x1</p>	<p>22</p>  <p>2.5m 8.2ft</p> <p>x1</p>

IT) Ricambi (A Richiesta) | EN) Spare Parts (Made to order) | DE) E Teile (auf Anfrage)
 FR) Pièces de rechange (Sur commande) | ES) Piezas de recambio (Previa solicitud)

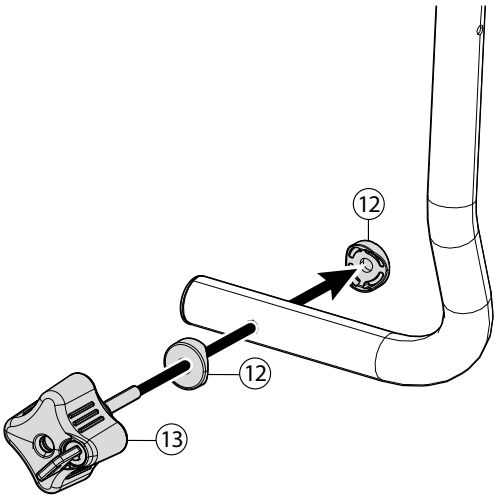
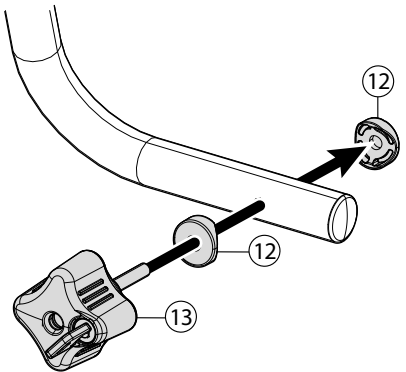
<p>②</p>  <p>x1</p>	<p>⑤</p>  <p>x1</p> <p>+</p> <p>⑥</p>  <p>x1</p>	<p>⑦</p> <p>6x55 mm 0.3x2.1"</p>  <p>x2</p>	<p>⑬</p>  <p>x2</p>	<p>⑭</p>  <p>x2</p>		
700030200000		700017400000		700015700000	700030300000	700015500000
<p>⑧</p> <p>M8x20</p>  <p>x2</p>	<p>⑨</p> <p>M6x20</p>  <p>x2</p>	<p>⑪</p> <p>M6x45</p>  <p>x6</p>	<p>⑫</p>  <p>x4</p>	<p>⑮</p>  <p>x6</p>	<p>⑯</p> <p>M6x12</p>  <p>x6</p>	
700030400000						
<p>⑰</p>  <p>x1</p>	<p>⑬</p>  <p>x2</p> <p>+</p> <p>⑰</p>  <p>x4</p>	<p>⑱</p> <p>5mm 0.2"</p>  <p>x1</p>	<p>⑳</p> <p>2,5m 8.2ft</p>  <p>x1</p>	<p>A1</p>  <p>Caddy (2K) 2015>2021</p> <p>x2</p>		
000026400000		700041400000		700025000000	700001100000	700042700000
<p>A2</p> <p>Caddy (SB) 2.0 2021></p> <p>SX</p>  <p>x1</p> <p>+</p> <p>DX</p>  <p>x1</p> <p>700051100000</p>						

1

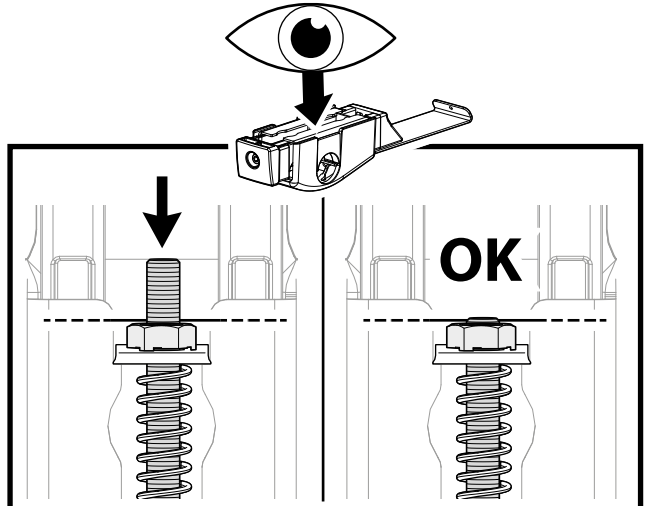
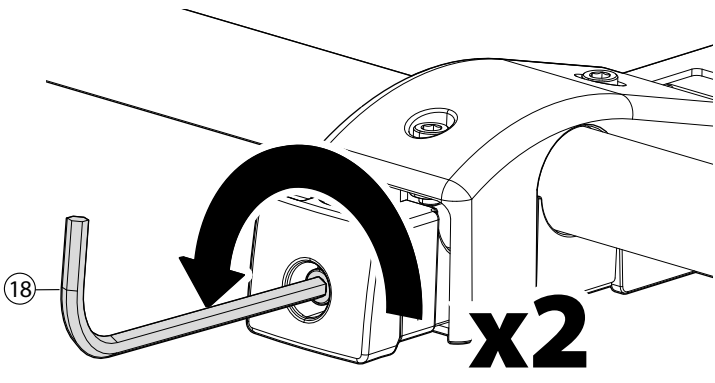


IT) Boccole esclusivamente di metallo.
 EN) Only full metal receivers.
 ES) Casquillos exclusivamente metálicos.
 FR) Douilles uniquement en métal.
 DE) Gewindeöffnung muss aus Metall sein.

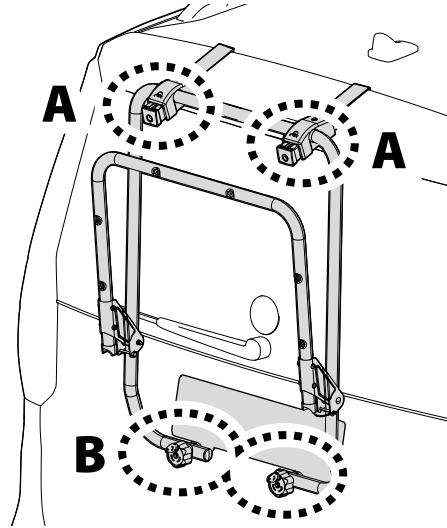
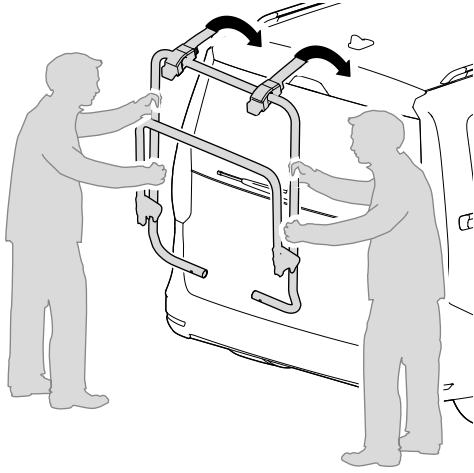
2



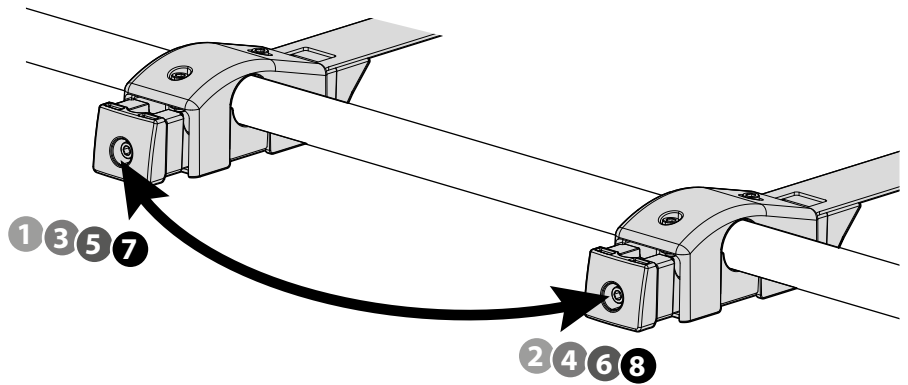
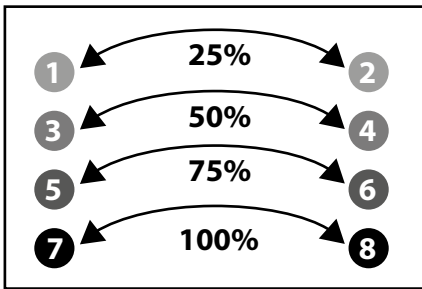
3



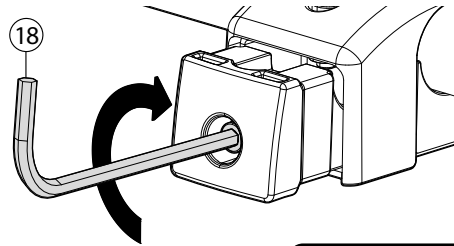
4



A

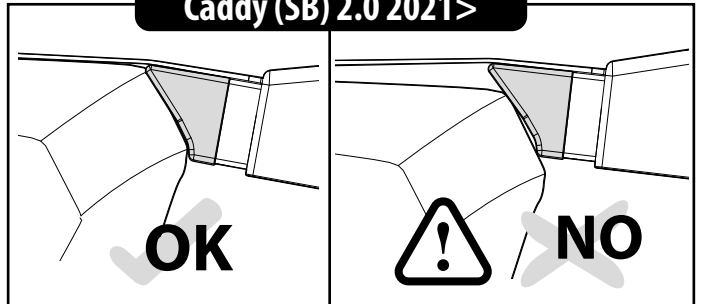
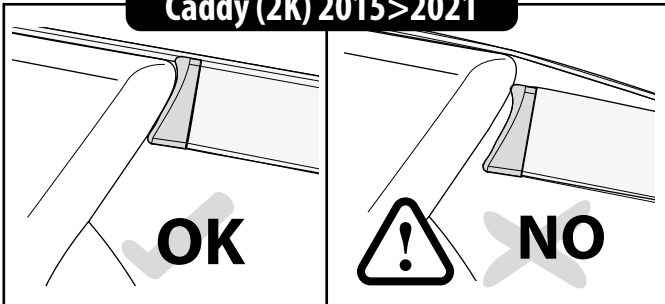


2Nm
1.5 lbf·ft

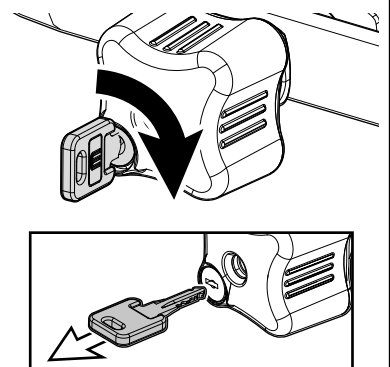
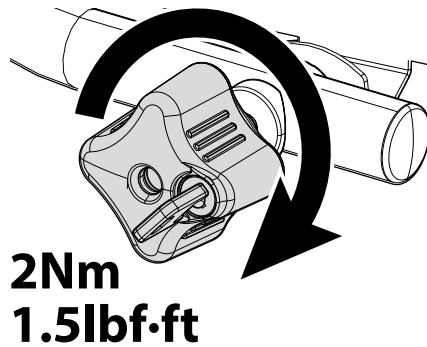
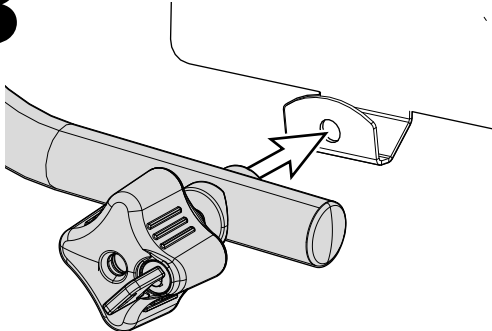


Caddy (2K) 2015>2021

Caddy (SB) 2.0 2021>

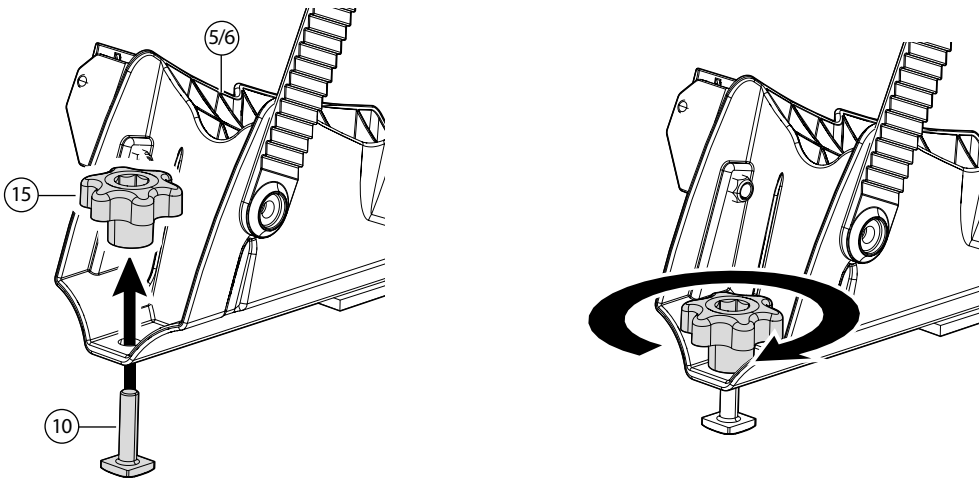


B



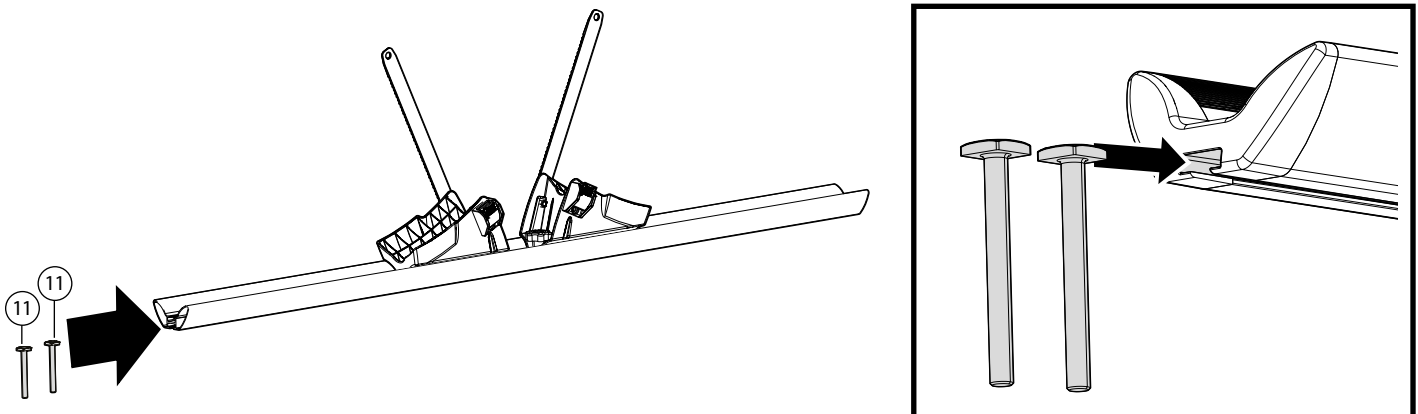
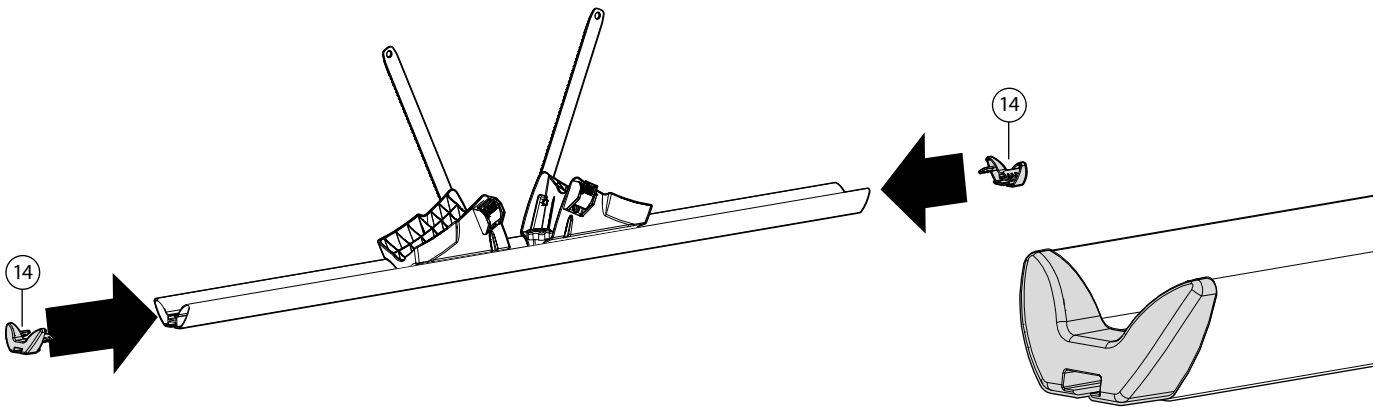
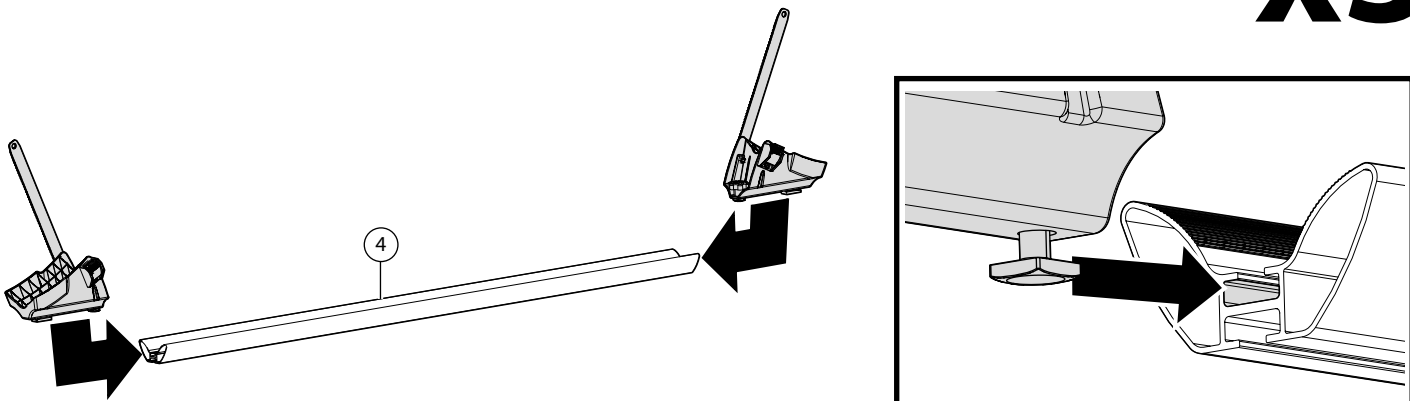
5

x6

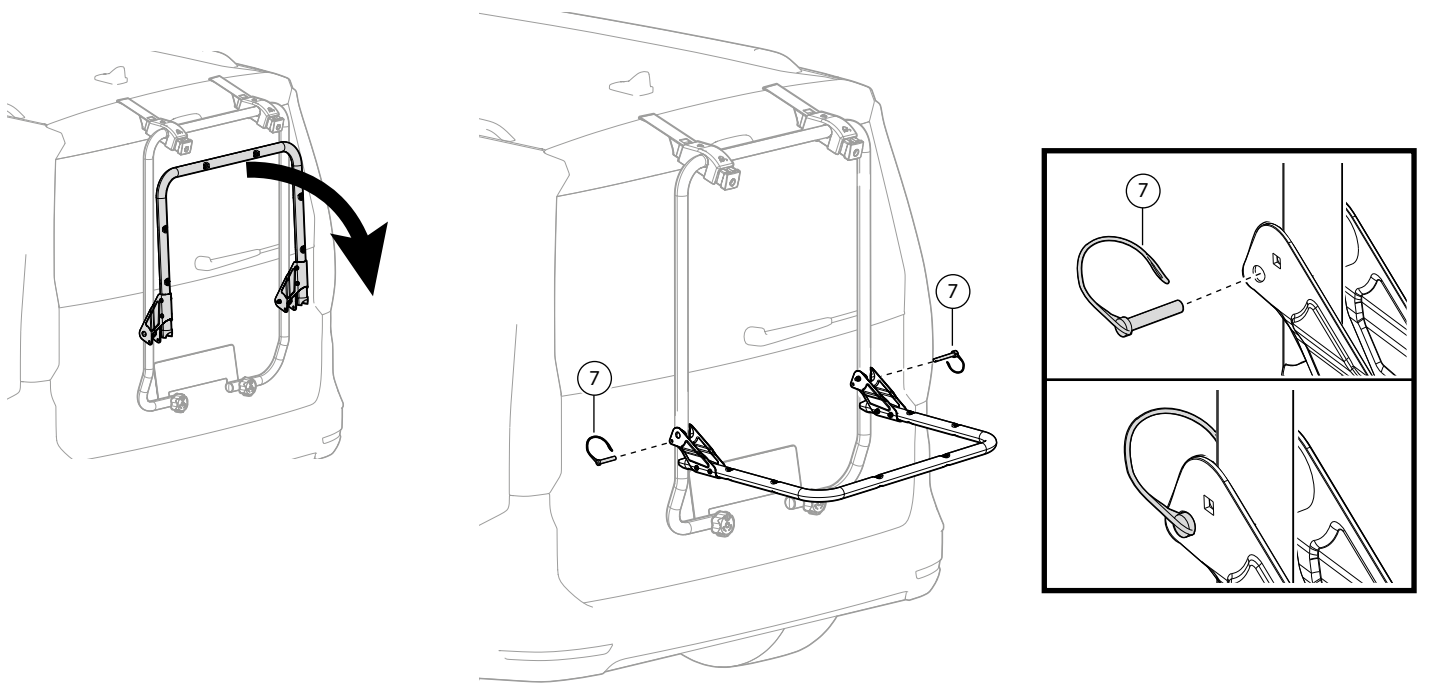


6

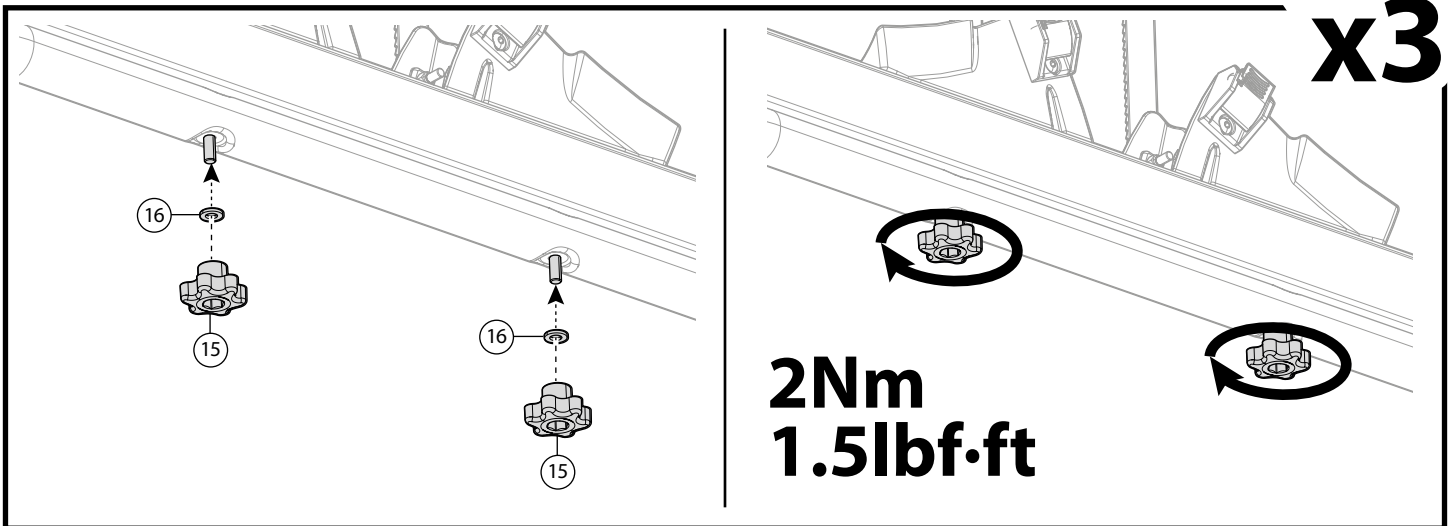
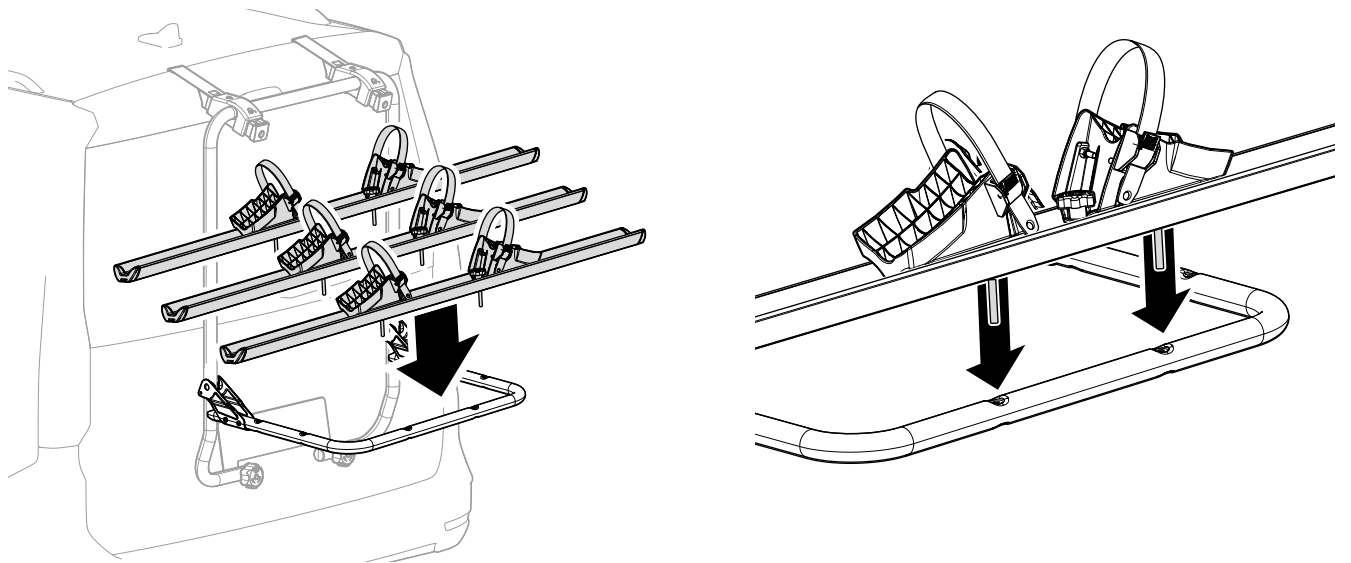
x3

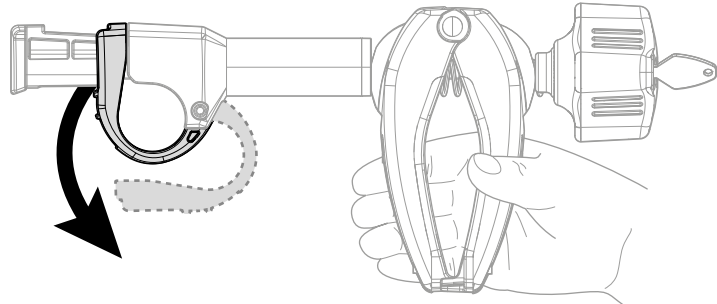
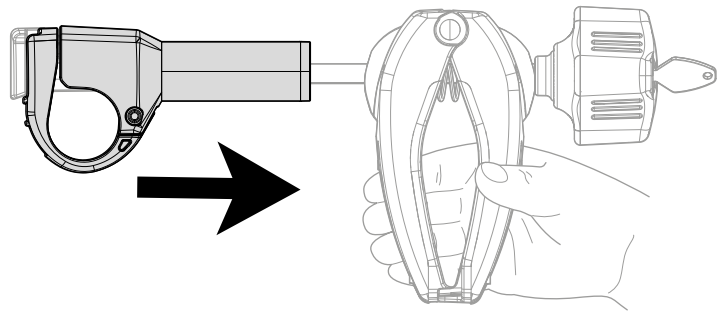
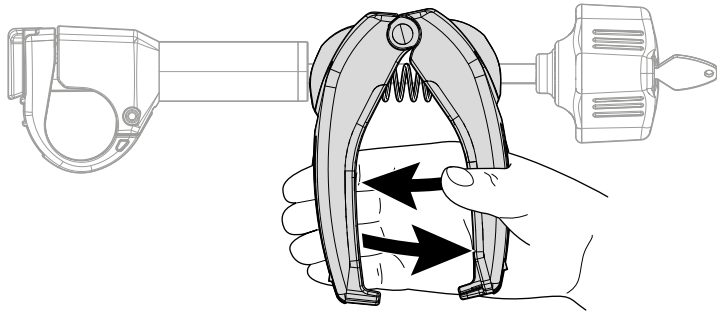
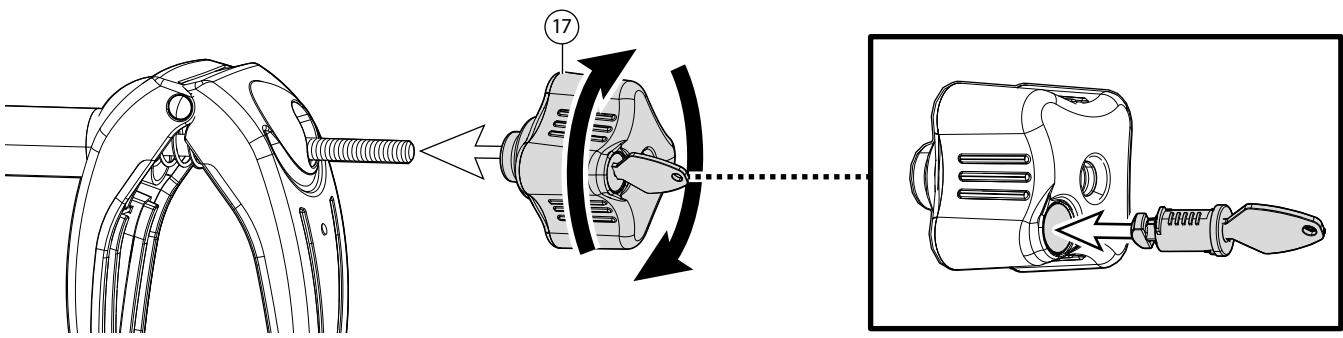
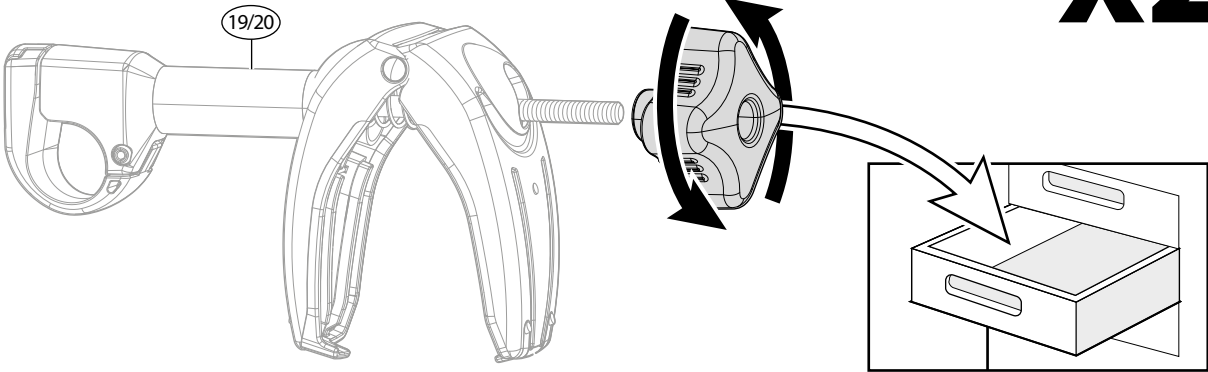


7

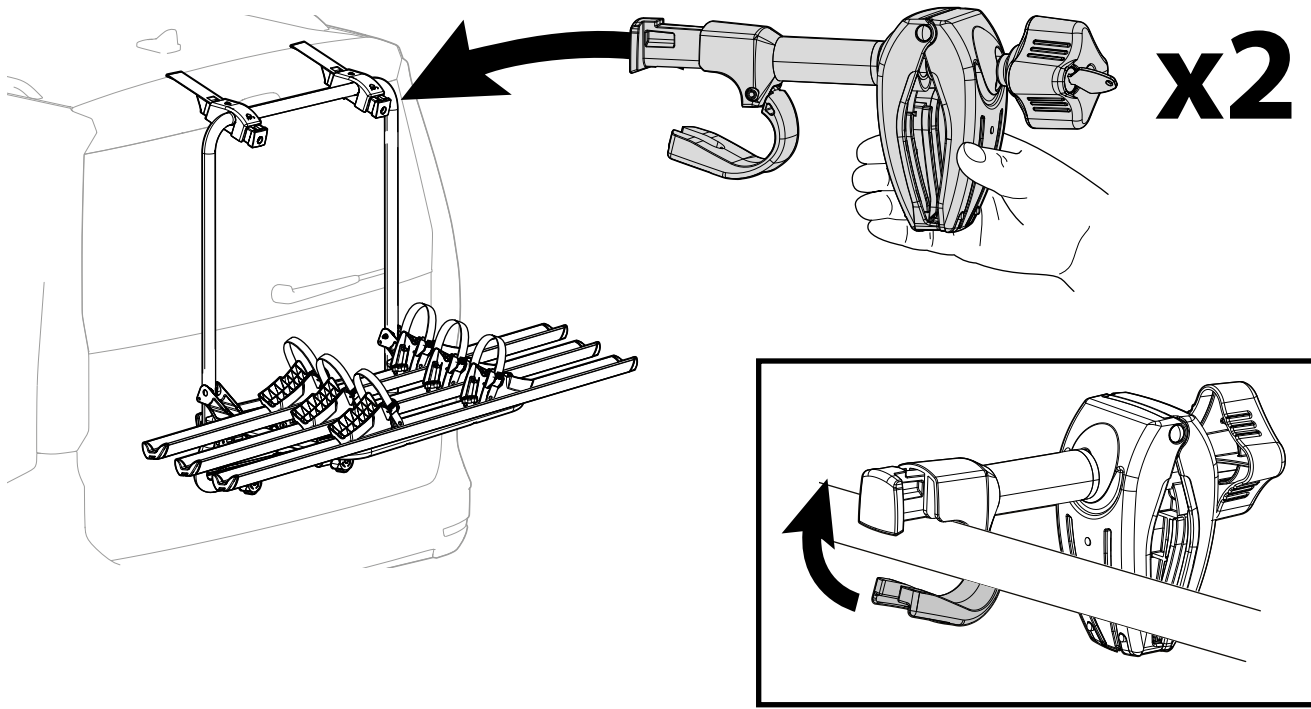


8

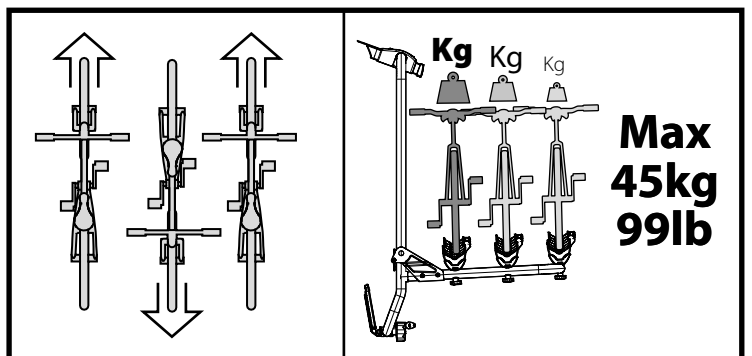
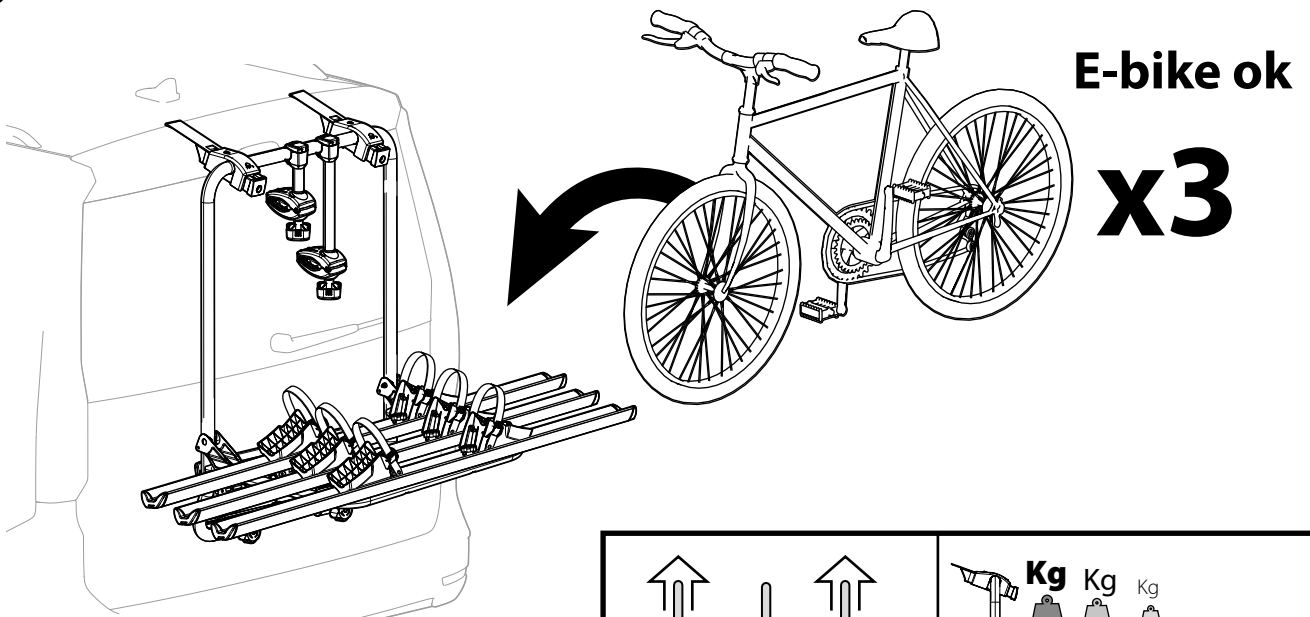




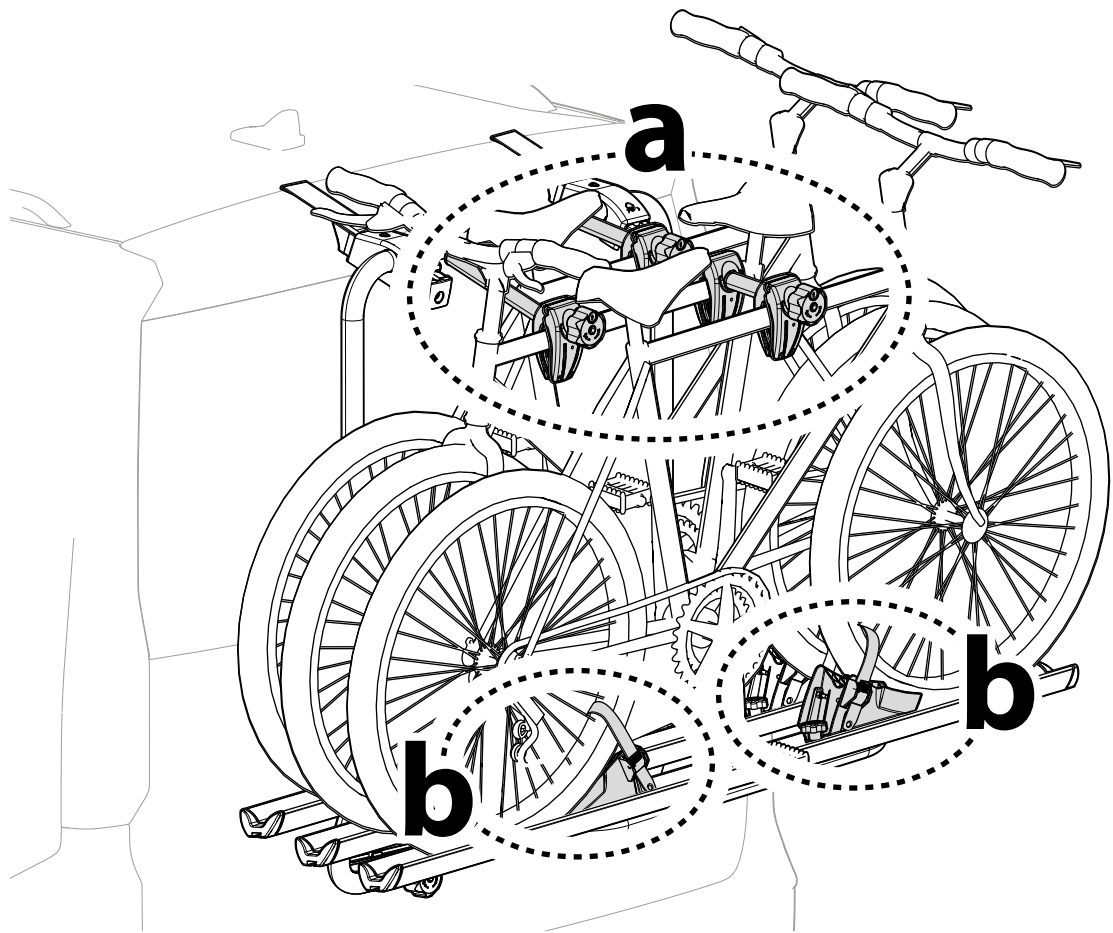
10



11



	<p>MIN Ø23 mm / 1" MAX Ø75 mm / 3" MIN 30x50 mm / 1.2"x2" MAX 50x75 mm / 2"x 3"</p>	<p>MIN 22" MAX 29"</p>	<p>MAX 80mm / 3.1"</p>	<p>MAX 1230mm / 48.4"</p>
--	---	----------------------------	------------------------	---------------------------



a

1. Torque wrench on a bolt with a curved arrow indicating clockwise rotation. **1,5 Nm**
1.1 lbf·ft

2. Torque wrench on a bolt with a curved arrow indicating clockwise rotation.

3. Torque wrench on a bolt with a curved arrow indicating clockwise rotation. **x3**

b

1. Wheel alignment diagram showing a wheel on a stand with arrows pointing inward. **x6**

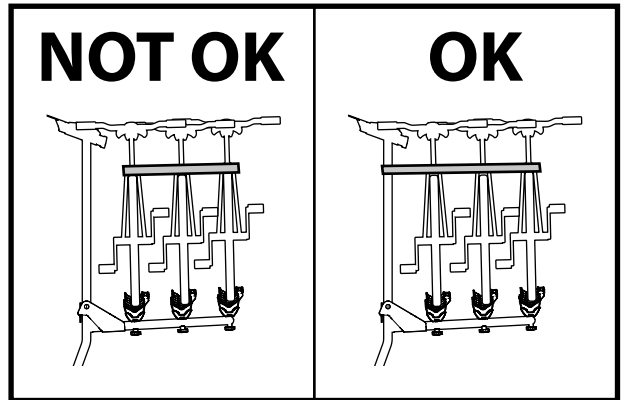
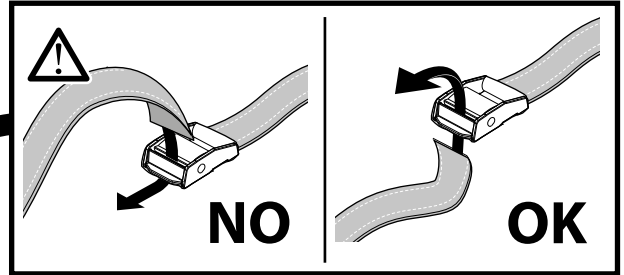
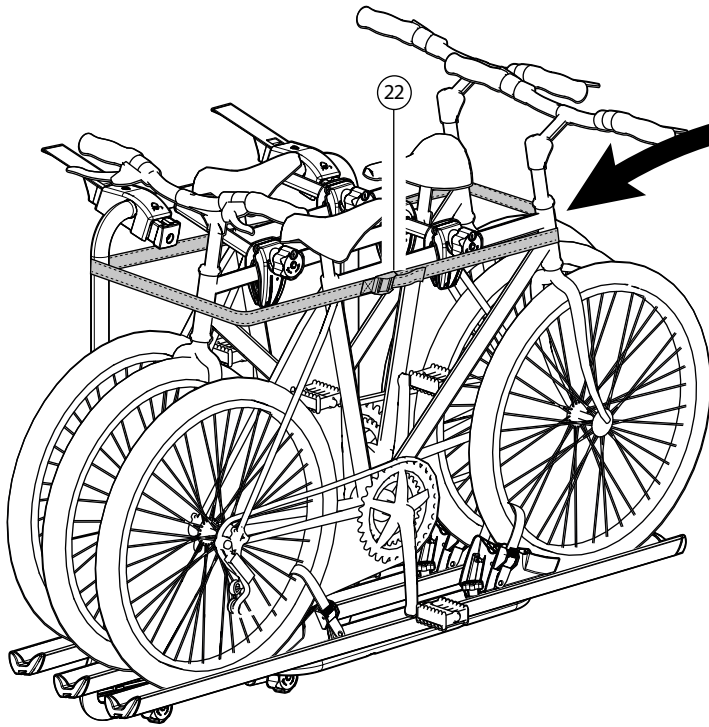
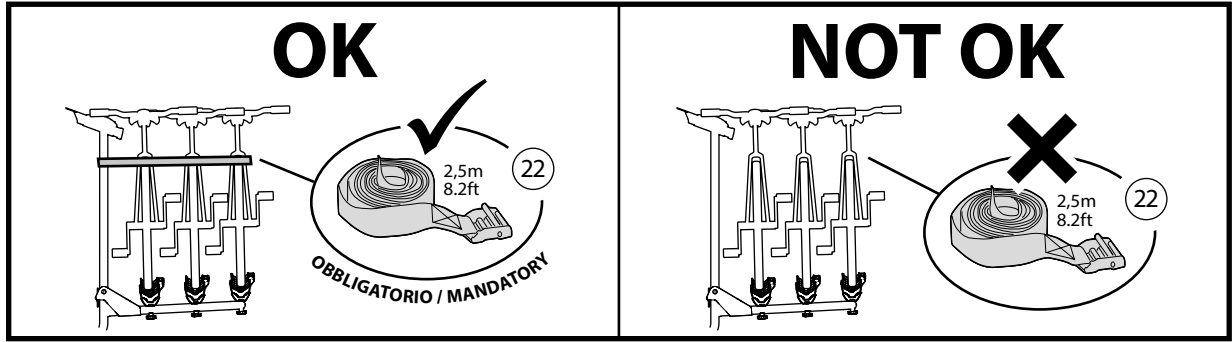
2. Torque wrench on a gear with a curved arrow indicating clockwise rotation. **2 Nm**
1.5 lbf·ft

3. Pedal adjustment diagram showing a pedal on a crank with a curved arrow indicating clockwise rotation. **NO**

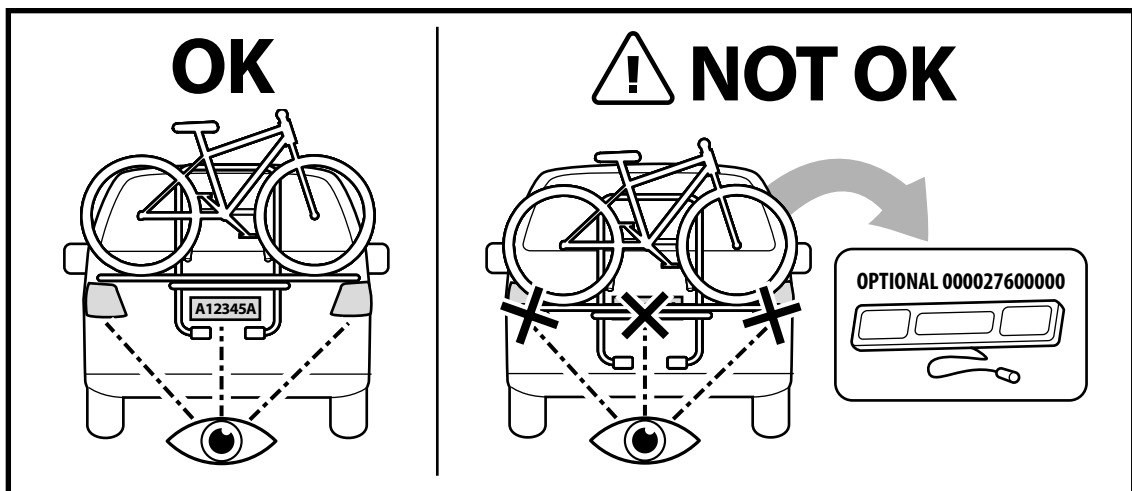
4. Pedal adjustment diagram showing a pedal on a crank with a curved arrow indicating clockwise rotation. **OK**

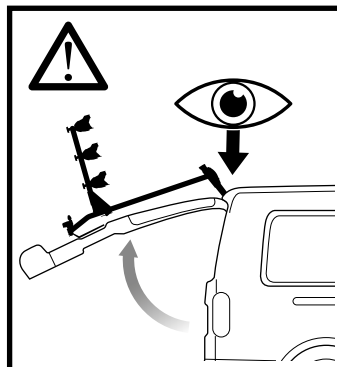
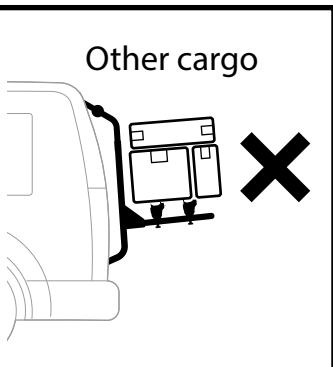
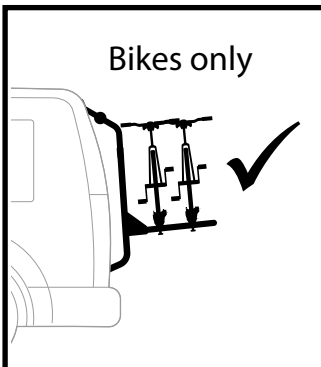
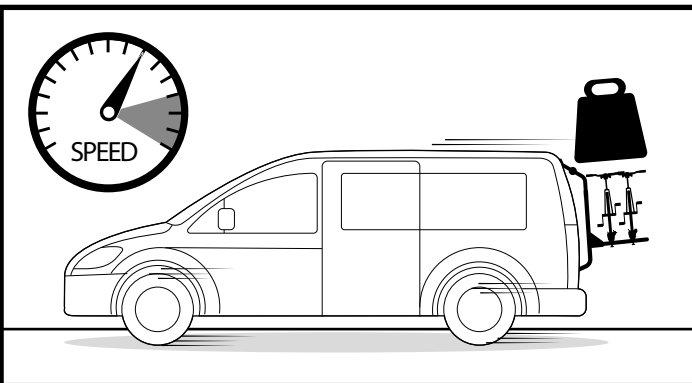
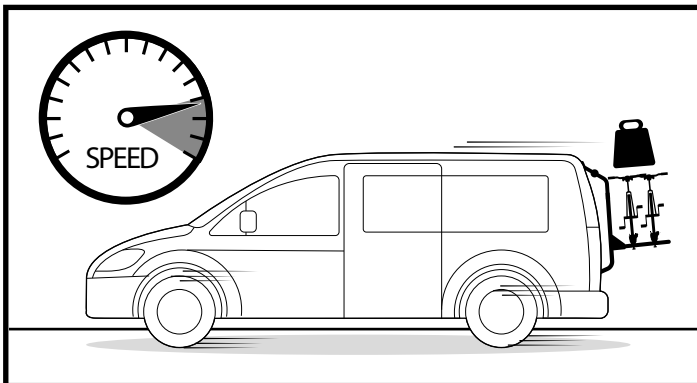
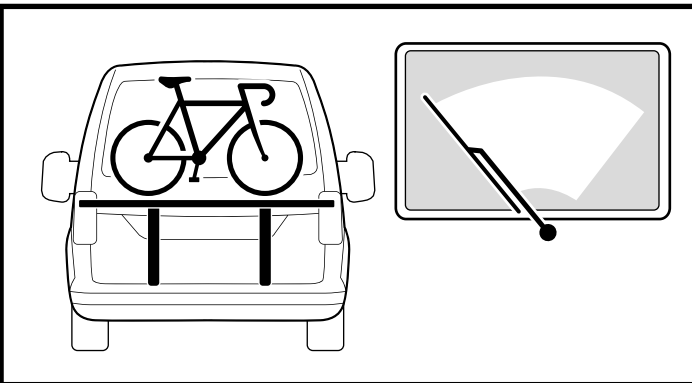
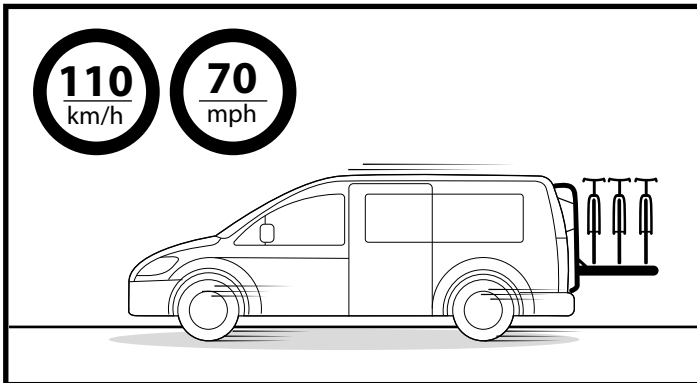
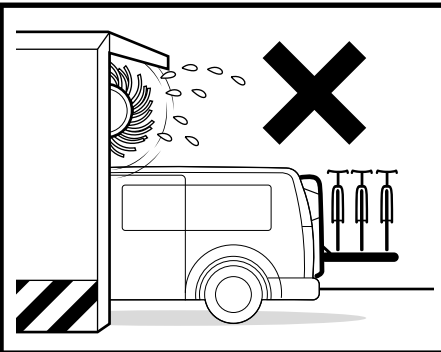
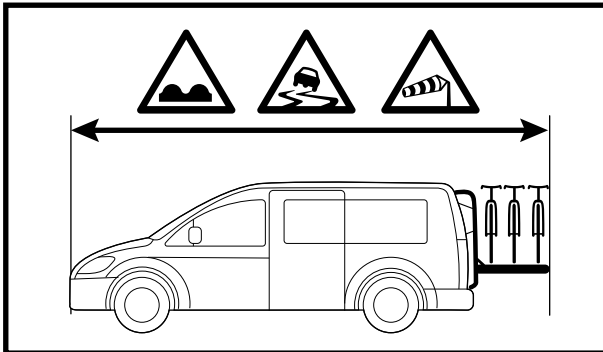
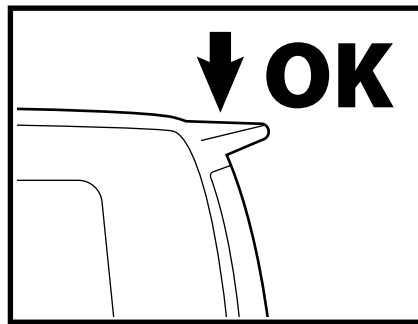
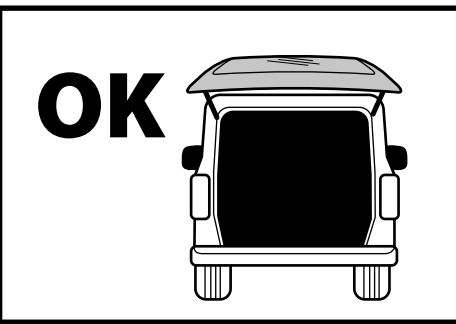
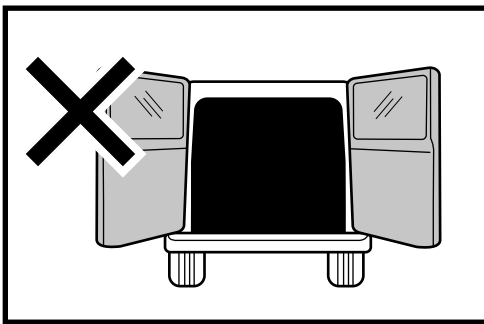
5. Pedal adjustment diagram showing a pedal on a crank with a curved arrow indicating clockwise rotation.

6. Pedal adjustment diagram showing a pedal on a crank with a curved arrow indicating clockwise rotation.



			x3 Standard bike Max 15kg / 33lb	OR	x2 E-bike Max 22kg / 48.5lb
Shadow black Caddy (2K) 2015>2021		13,9 kg / 30.6lb	MAX 45 kg / 99 lb		
Shadow black Caddy (SB) 2.0 2021>		14,2kg/ 31.3lb			





F.lli Menabò S.r.l.
Via 8 Marzo, 3 -Z.I. Corte Tegge
42025 Cavriago (RE) ITALY
customercare@flli-menabo.it
www.menabocaraccessories.com



50093680001
03/12/2025