

MENABO

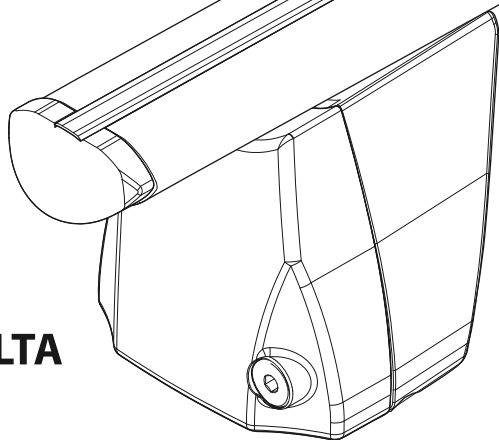
free time on the move

DL FIX 208FP

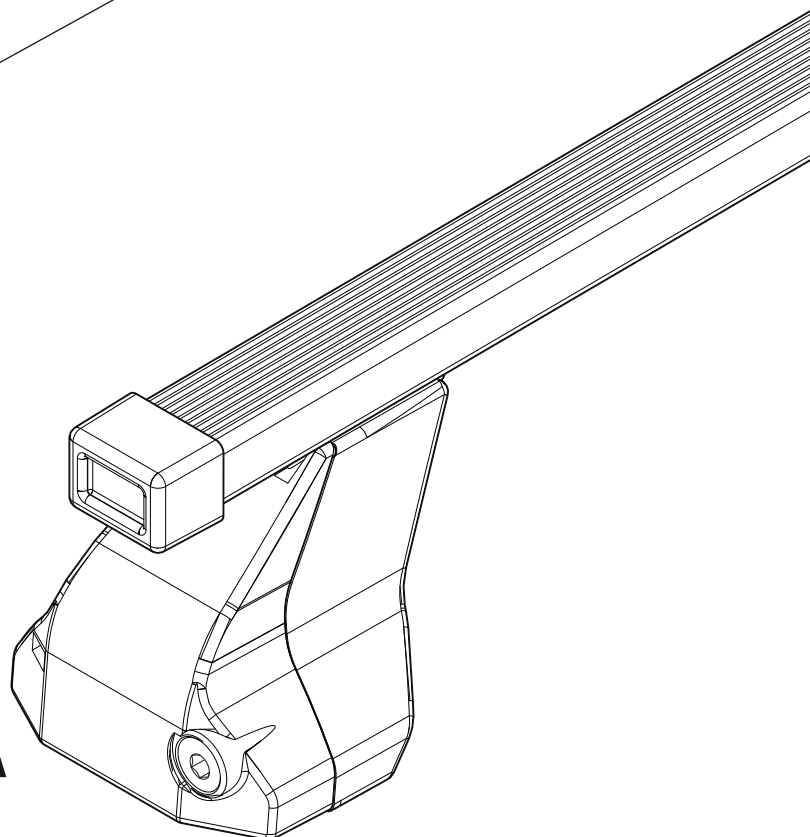
DELTA / OMEGA

IT Istruzioni di montaggio	ET Paigaldusjuhend	PT Instruções de Montagem
EN Fitting instructions	FI Asennusohje	RO Instrucțiuni de montare
DE Montageanleitung	HR Uputa za sastavljanje	RU Инструкции по установке
FR Instructions de montage	HU A felszerelés módja	SK Návod na montáž
ES Instrucciones de montaje	LT Pritvirtinimo instrukcijos	SL Navodila za pritrdjevanje
BG инструкции за сглобяване	LV Stiprināšanas instrukcija	SV Monteringsanvisning
CS Návod na montáž	NL Instrukcja montażu	TK Uydurma talimat
DA Monteringsvejledning	NO Monteringsveiledning	ZH 裝修指導
EL Οδηγίες συναρμολόγησης	PL Instrukcja montażu	AR تعليمات التجميع

DELTA



OMEGA



Made in Italy



DELTA ⇒ pag.2

OMEGA ⇒ pag.8

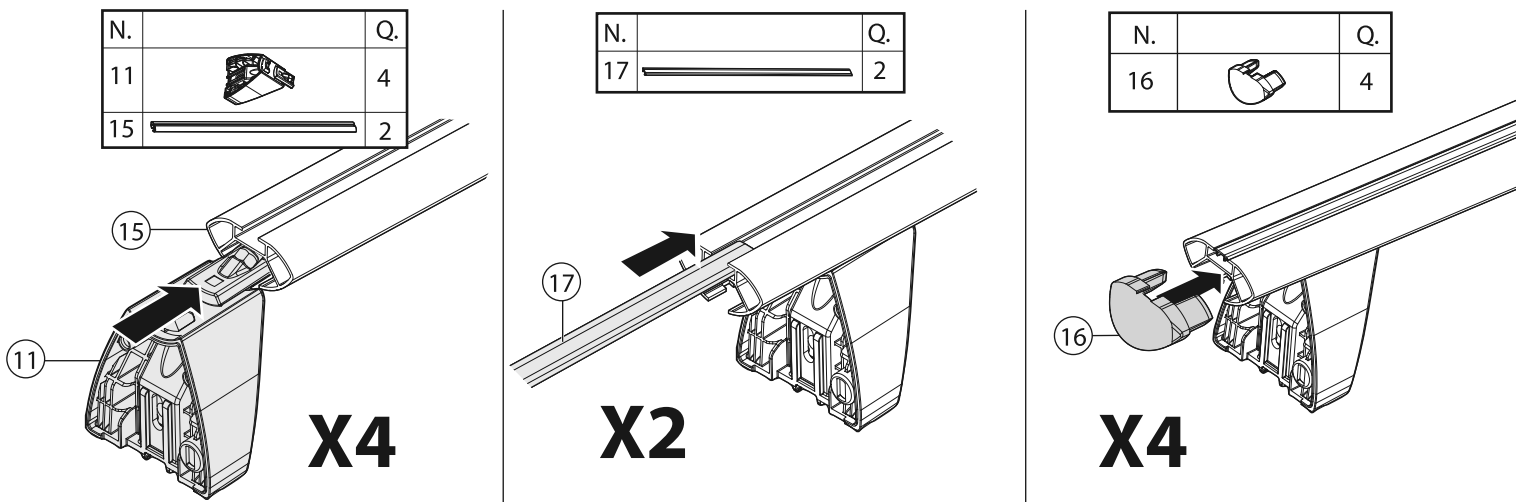
DELTA

FIXING KIT		
N.	[IT]Componenti (Inclusi) [EN]Components (Included) [FR]Composants (Comprises) [DE]Die Komponenten (im Lieferumfang enthalten) [ES]Componentes (Incluido)	Q.
0		1
1		4
2		4
3		4
4		4
5		4
6		4
7		4
8		4
9		4
10		1

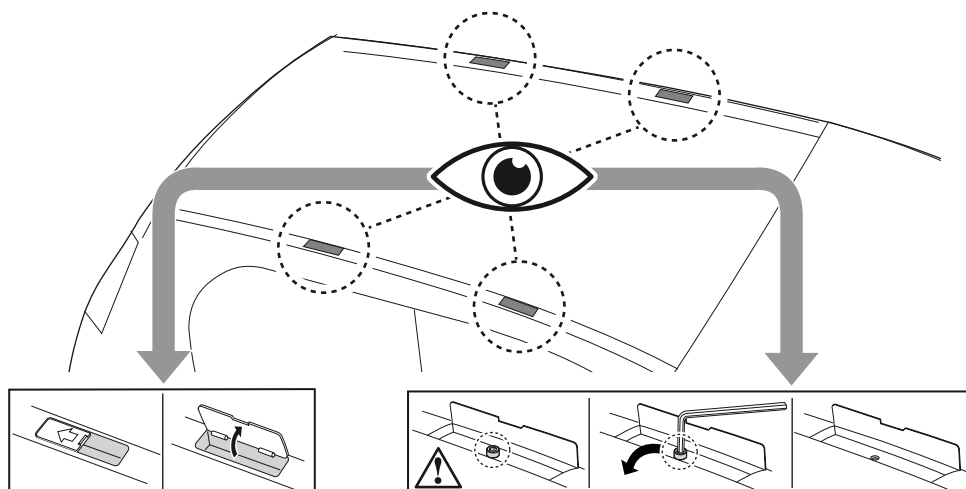
MAIN KIT		
N.	[IT]Componenti (Inclusi) [EN]Components (Included) [FR]Composants (Comprises) [DE]Die Komponenten (im Lieferumfang enthalten) [ES]Componentes (Incluido)	Q.
11		4
12		4
13		4
14		1
15		2
16		4
17		2
18		4
19		4

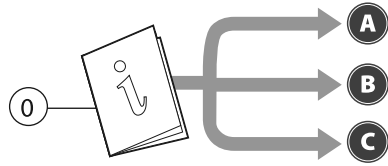
OPTIONAL KIT 0008480000		
N.		Q.
20		2
21		4

1



2



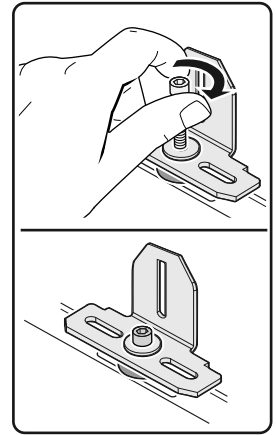
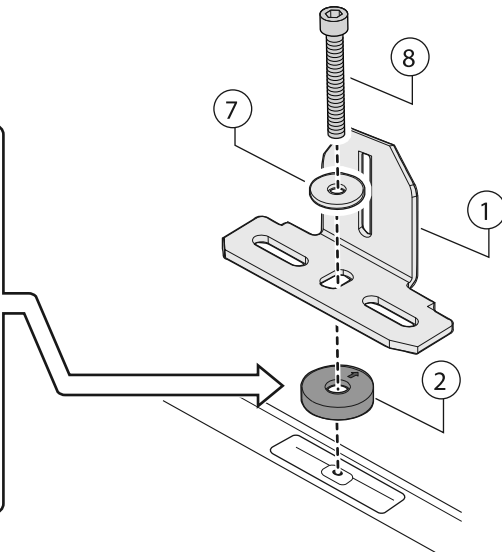
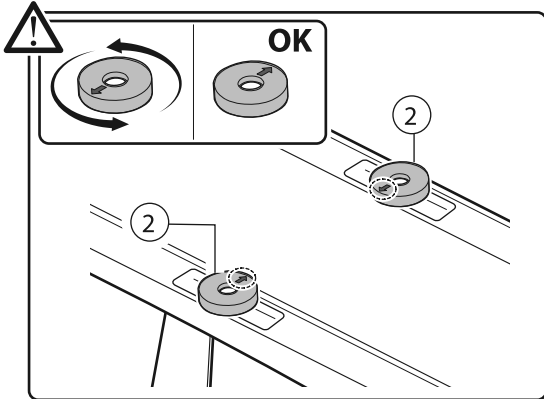


X4

3

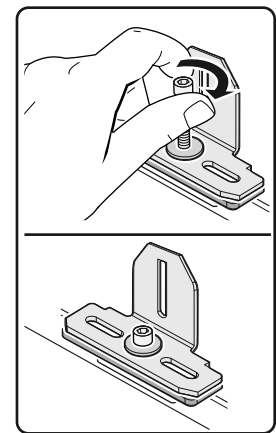
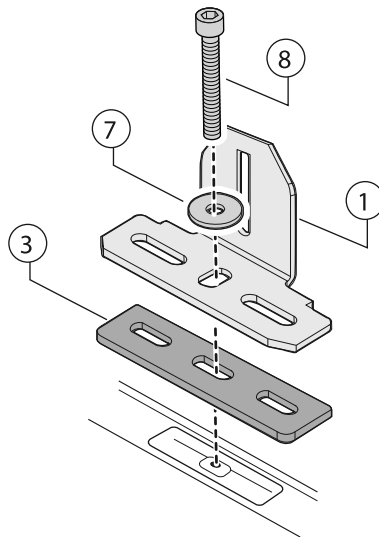
A

N.		Q.
1		1
2		1
7		1
8		1



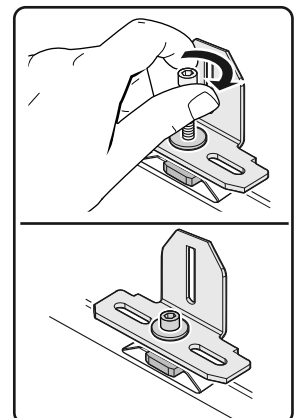
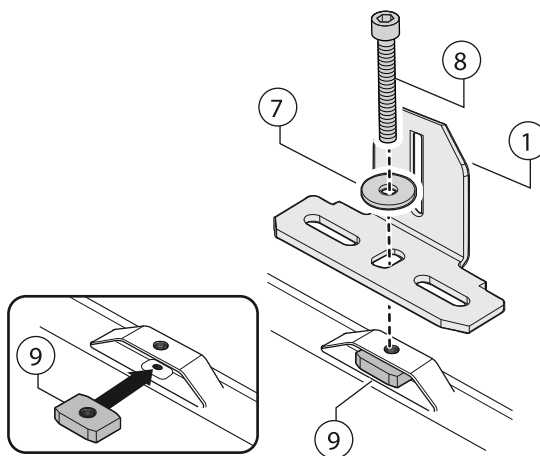
B




N.		Q.
1		1
3		1
7		1
8		1

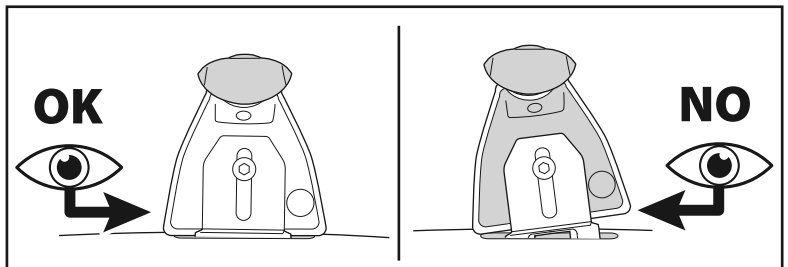
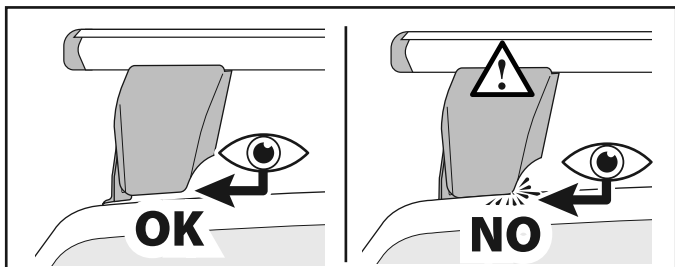
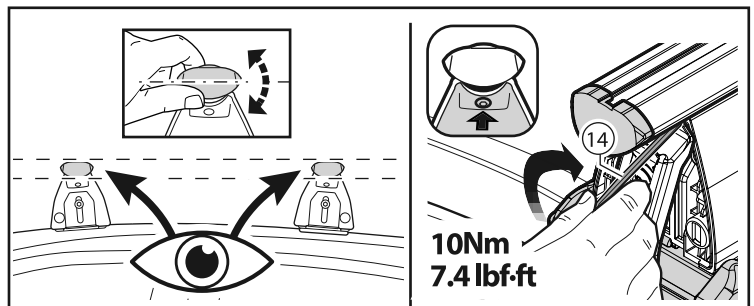
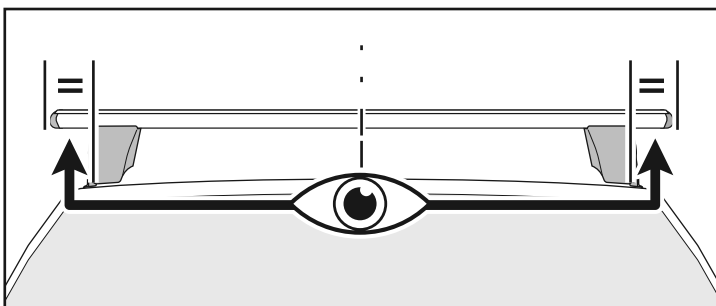
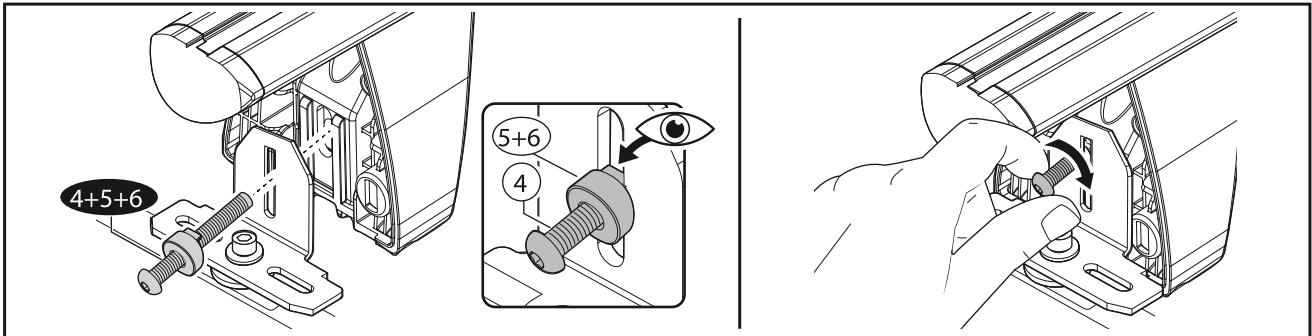
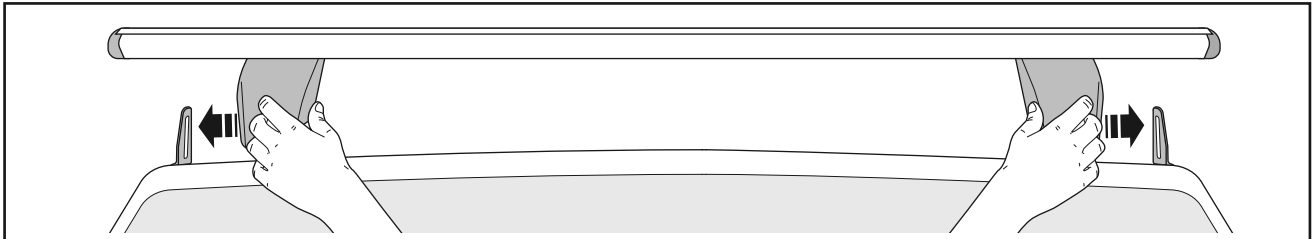
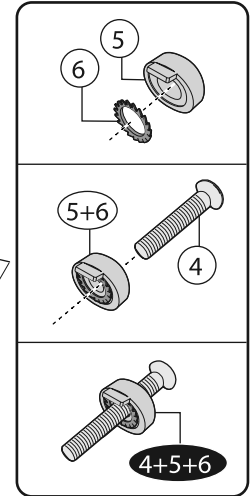
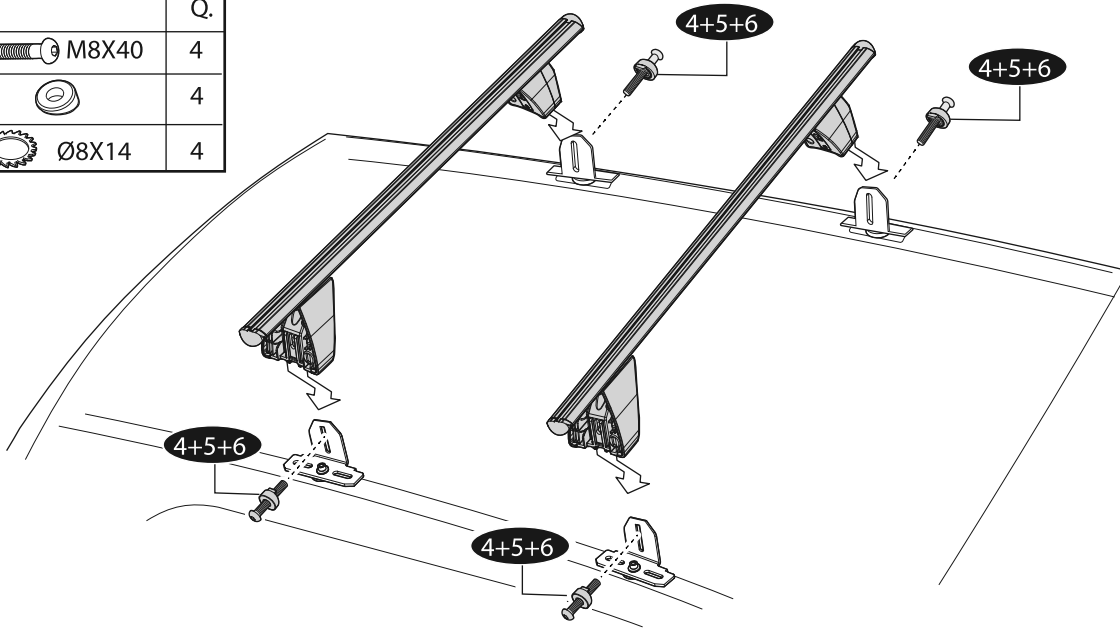


C

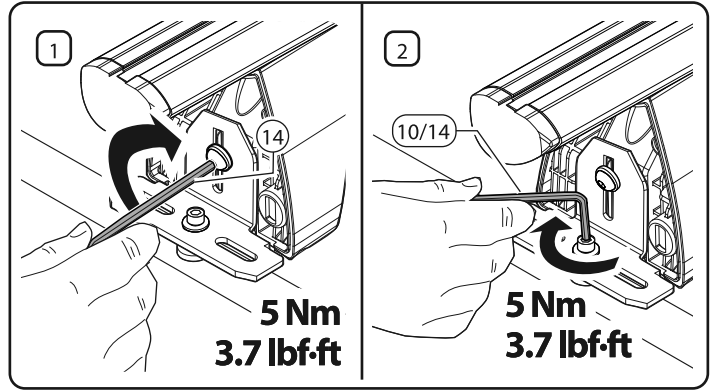
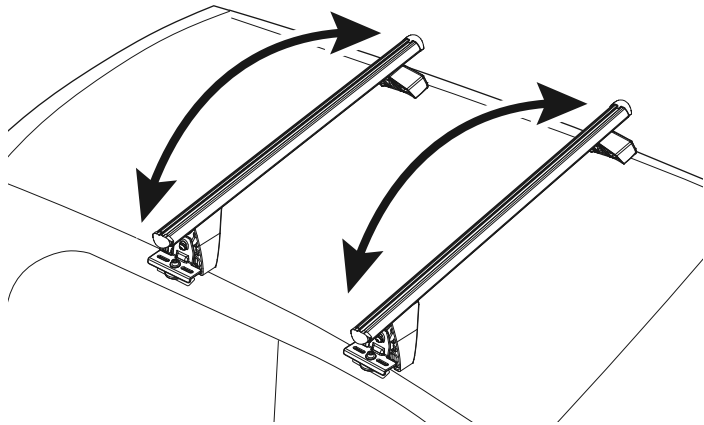
N.		Q.
1		1
9		1
7		1
8		1



N.		Q.
4	 M8X40	4
5		4
6	 Ø8X14	4

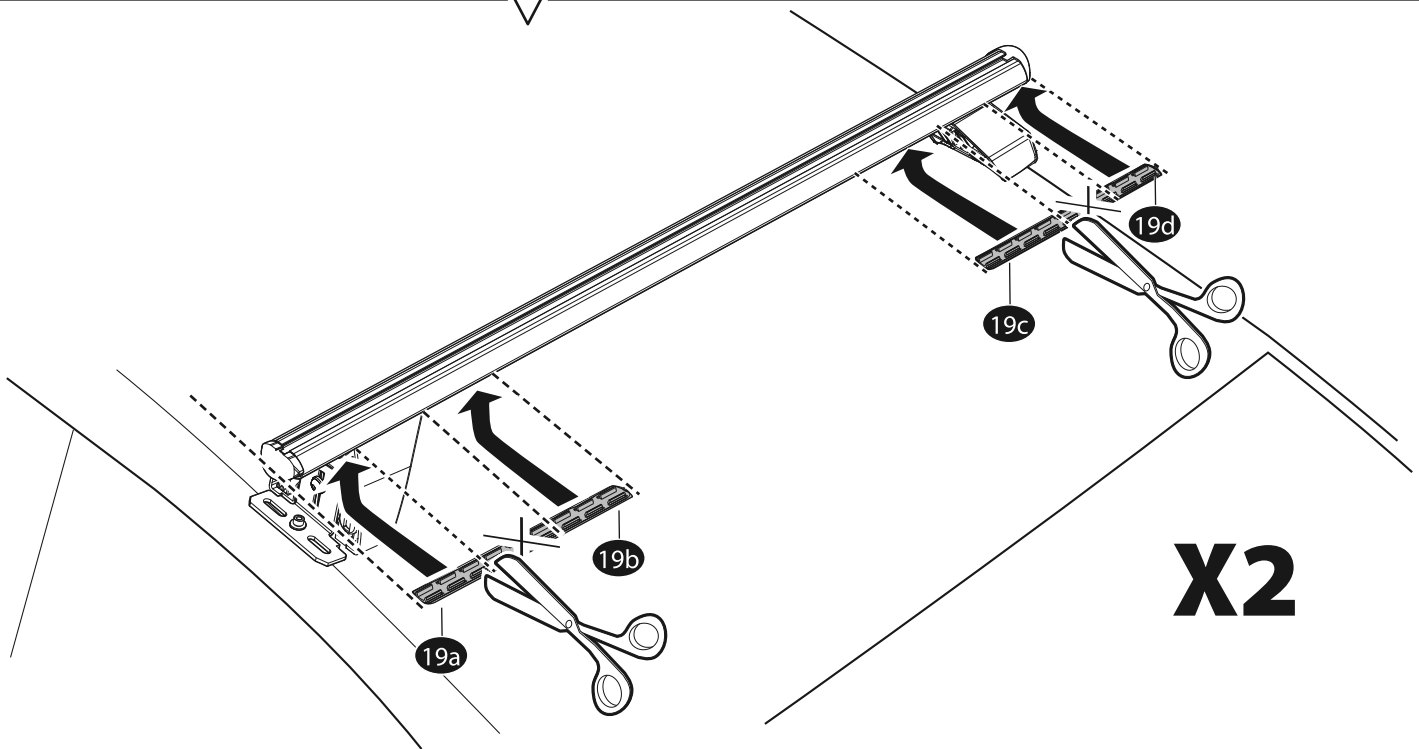
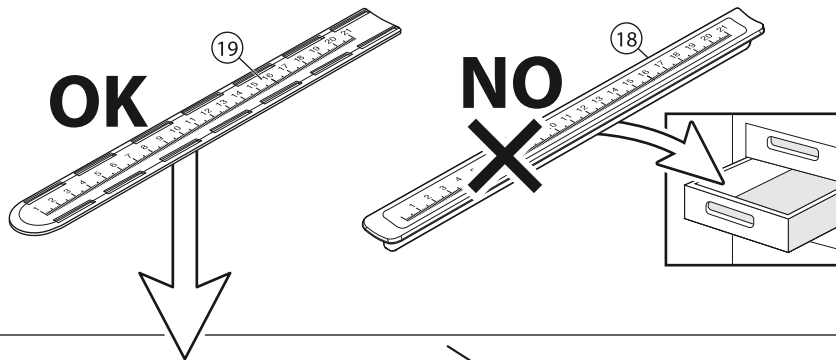


6

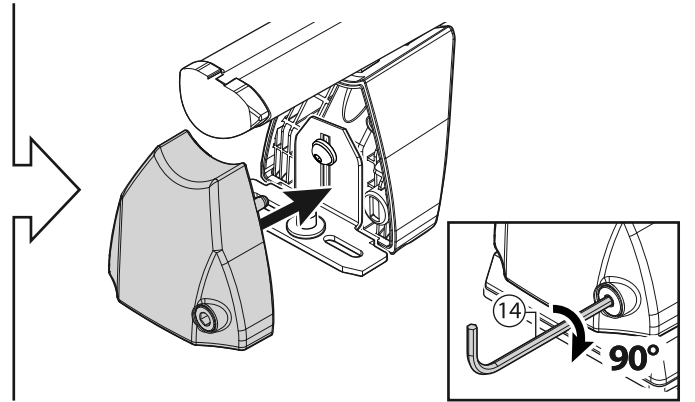
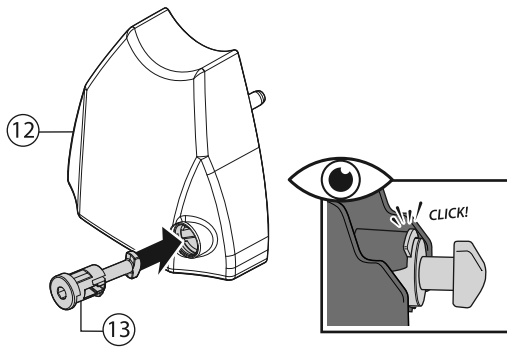


7

N.		Q.
18		2
19		2

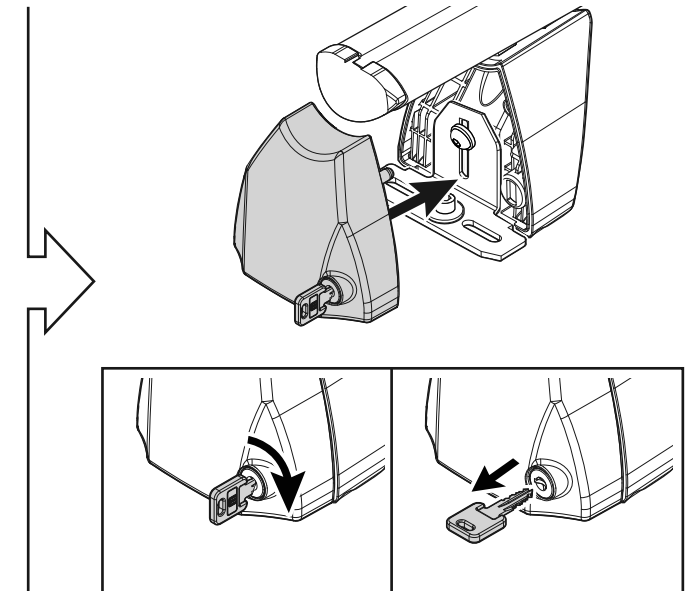
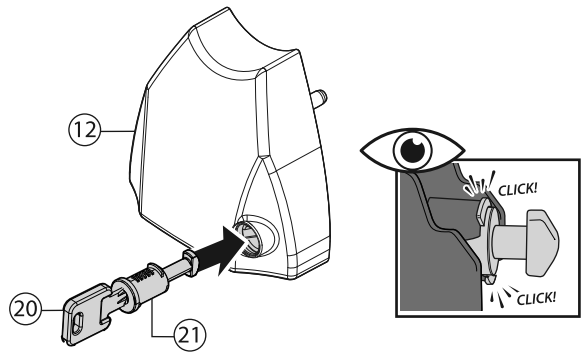
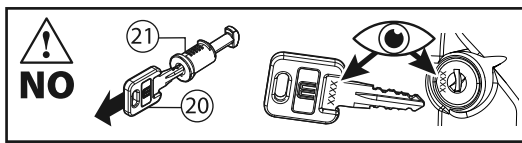



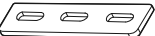






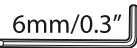
N.	Q.
12	1
13	1




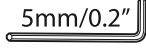






8 - OPTIONAL-KIT 000084800000

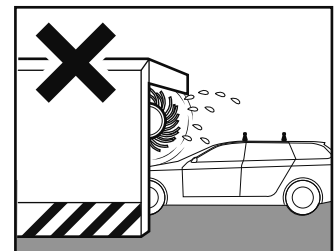
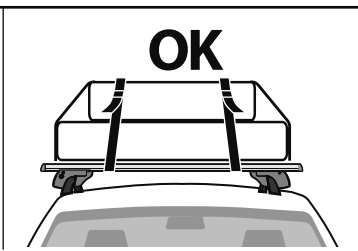
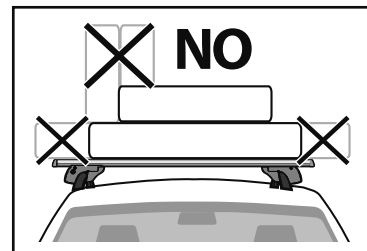
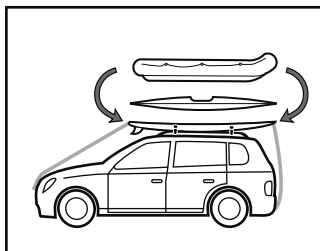
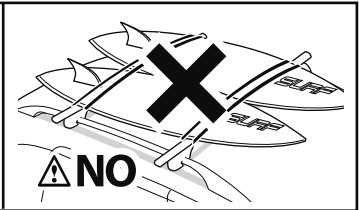
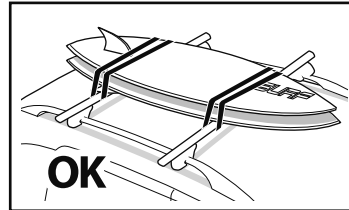
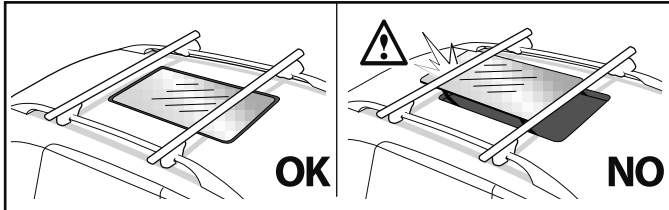
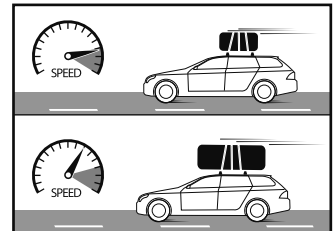
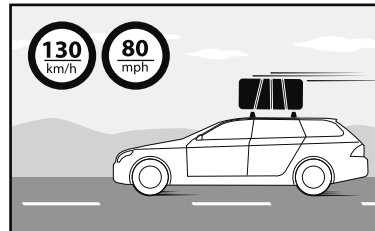
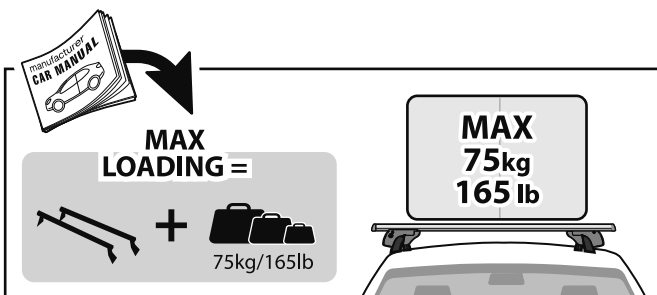
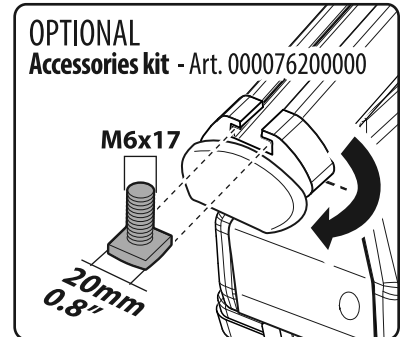
N.	Q.
20	2
21	4



FIXING KIT			
N.	(IT) Ricambi (A Richiesta) (EN) Spare Parts (Made to order) (FR) Pièces de rechange (Sur commande) (DE) Teile (auf Anfrage) (ES) Piezas de recambio (Previa solicitud)	Q.	Codice-Code-Código
2	 A1	4	700032800000
3		4	700032900000
4	 M8x40	4	700031700000
5		4	
6	 Ø8x14	4	700033000000
7	 XxY	4	
8	 MZxY	4	
9		4	700023700000
10	 6mm/0.3"	1	

MAIN KIT			
N.	(IT) Ricambi (A Richiesta) (EN) Spare Parts (Made to order) (FR) Pièces de rechange (Sur commande) (DE) Teile (auf Anfrage) (ES) Piezas de recambio (Previa solicitud)	Q.	Codice-Code-Código
11		1	700029500000
12		1	700029600000
13		4	700025300000
14	 5mm/0.2"	1	700025000000
16		2	700029300000
17		2	700007900000
18		4	700029400000
19		4	700032000000

OPTIONAL KIT 000084800000			
N.		Q.	
20	 XXXX	2	
21		4	



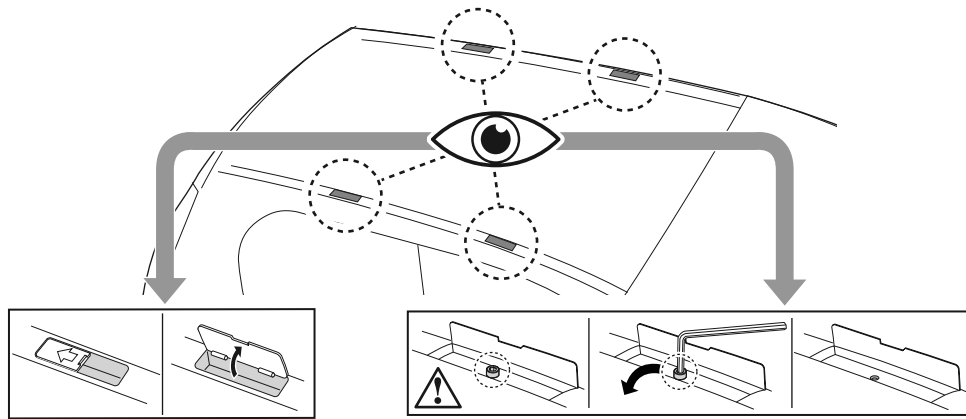
OMEGA

FIXING KIT		
N.	[IT]Componenti (Inclusi) [EN]Components (Included) [FR]Composants (Comprises) [DE]Die Komponenten (im Lieferumfang enthalten) [ES]Componentes (Incluido)	Q.
0		1
1		4
2		4
3		4
4		4
5		4
6		4
7		4
8		4
9		4
10		1

MAIN KIT		
N.	[IT]Componenti (Inclusi) [EN]Components (Included) [FR]Composants (Comprises) [DE]Die Komponenten (im Lieferumfang enthalten) [ES]Componentes (Incluido)	Q.
11		2
12		4
13		4
14		1
15		4

OPTIONAL KIT 00008480000		
N.		Q.
16		2
17		4

1

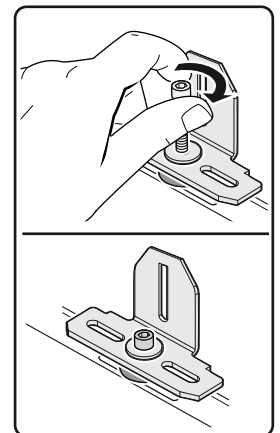
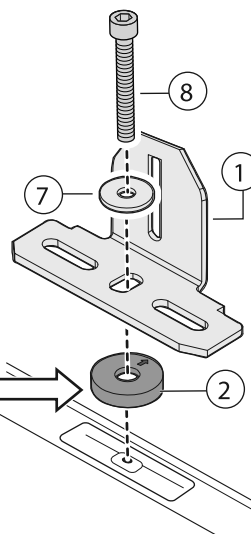
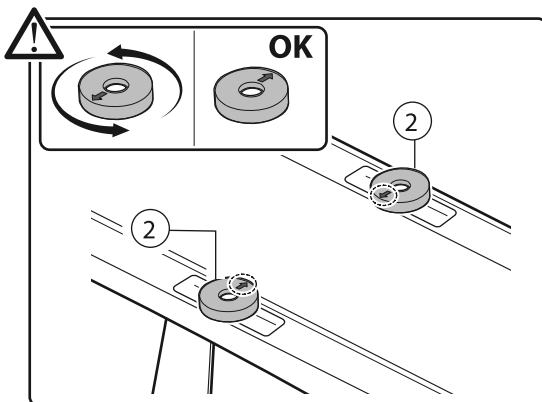


2

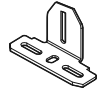





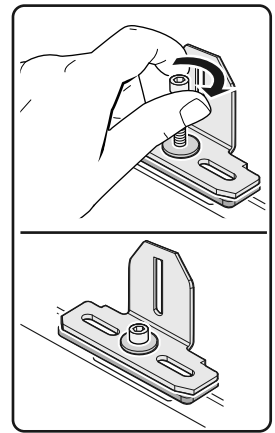
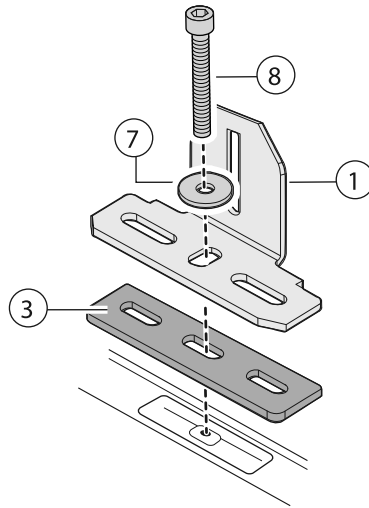
X4





A		
N.		Q.
1		1
2		1
7		1
8		1

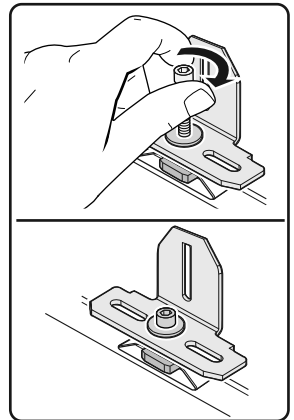
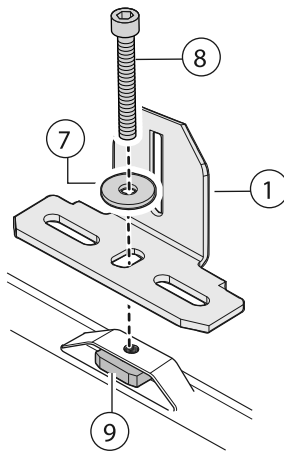
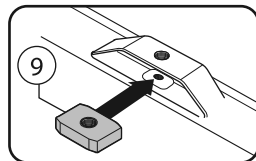


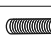


B

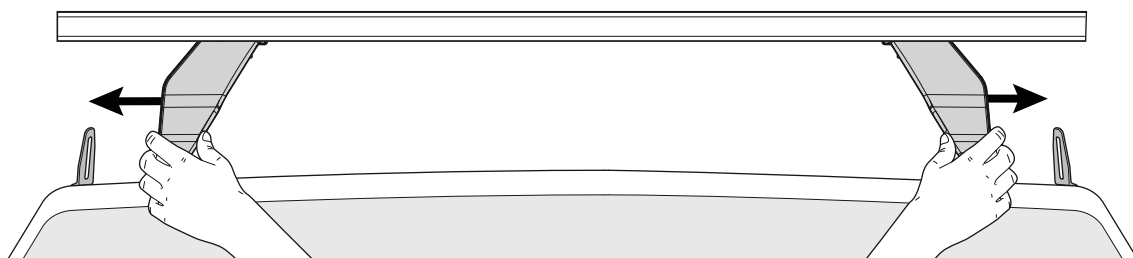
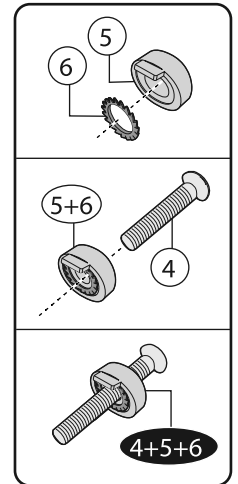
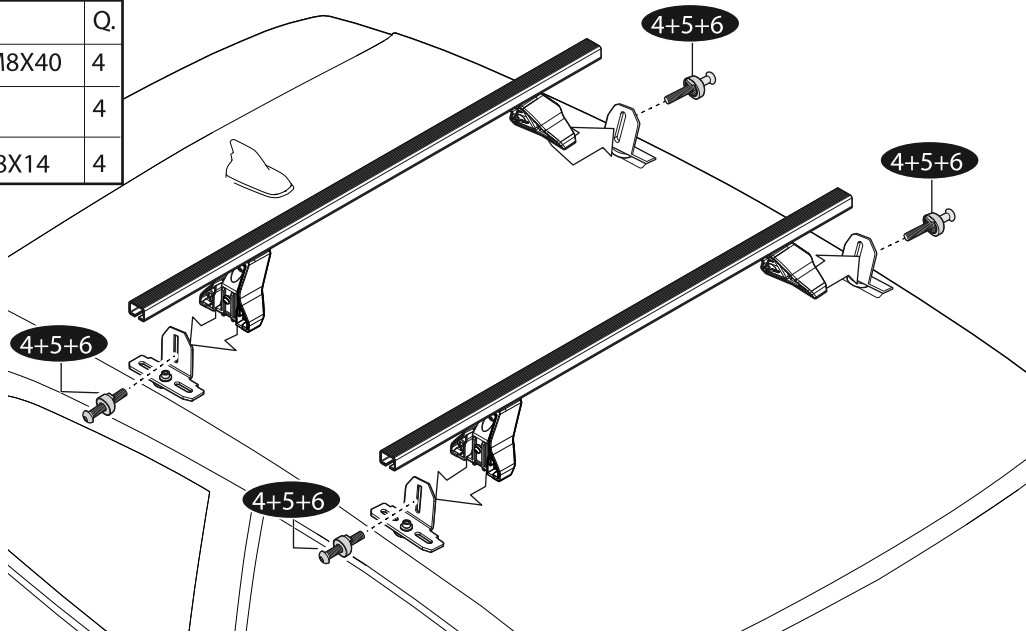
N.		Q.
1		1
3		1
7	 XxY	1
8	 MZxY	1

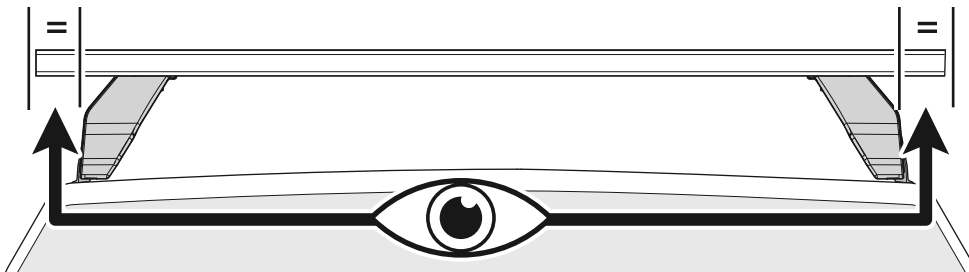
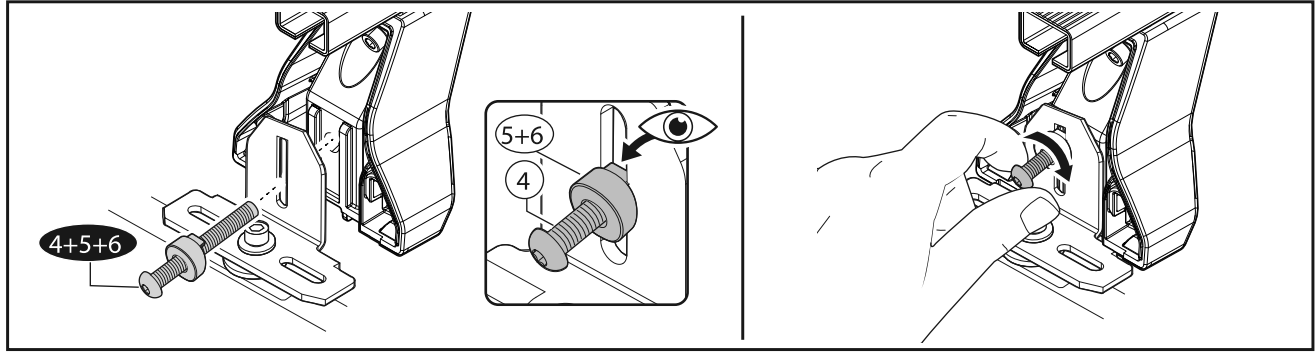
**C**

N.		Q.
1		1
9		1
7	 XxY	1
8	 MZxY	1

**4****X4**

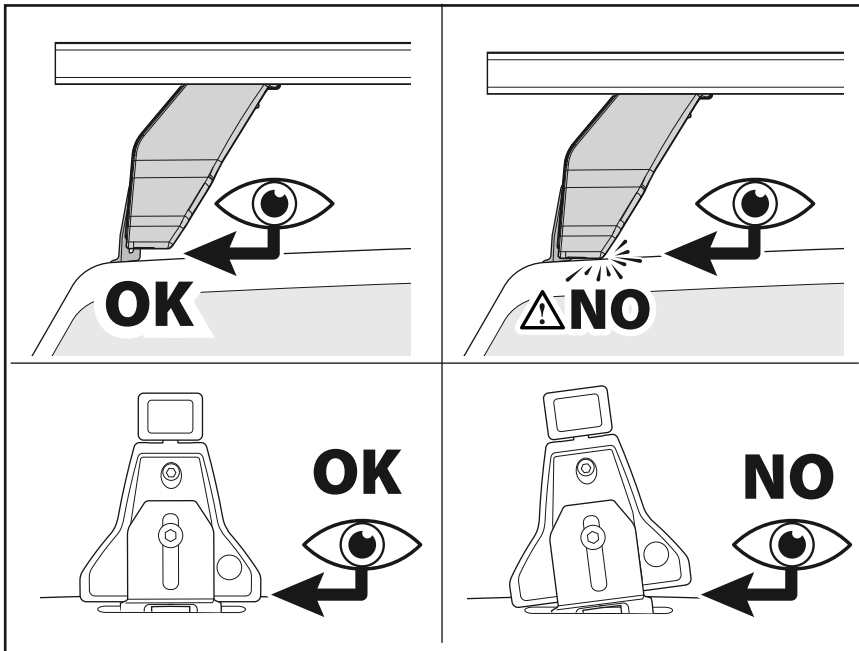
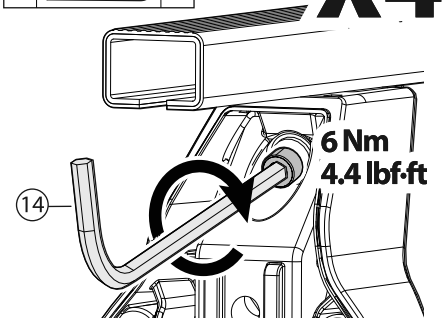
N.		Q.
4	 M8X40	4
5		4
6	 Ø8X14	4



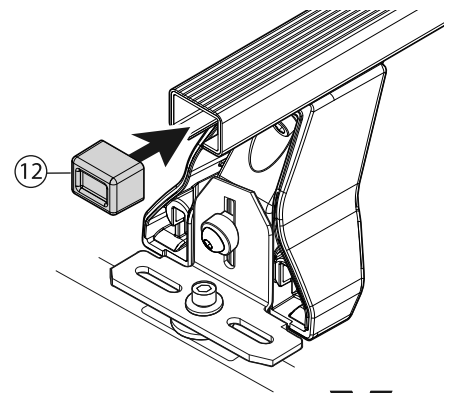


N.	Q.
14	1

X4

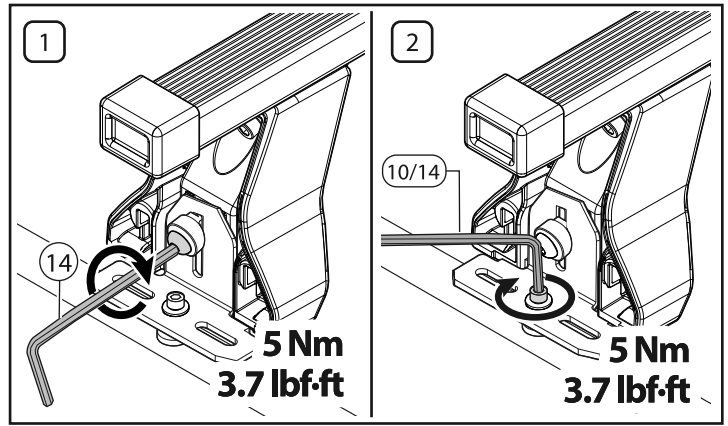
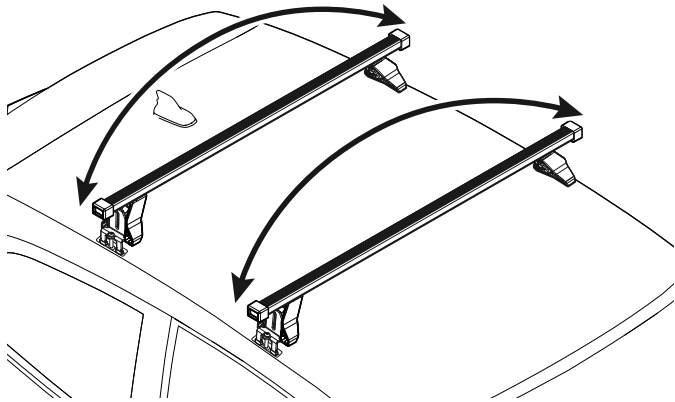


N.	Q.
12	4



X4

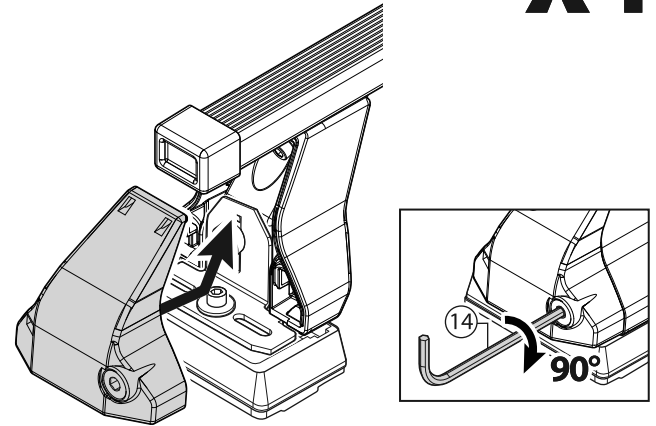
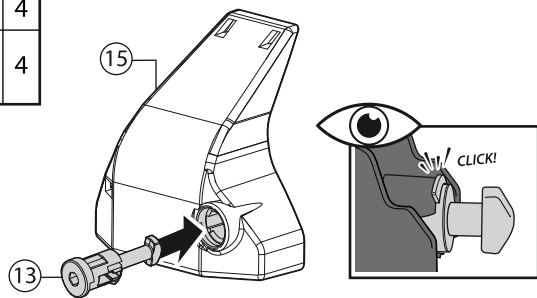
7



8

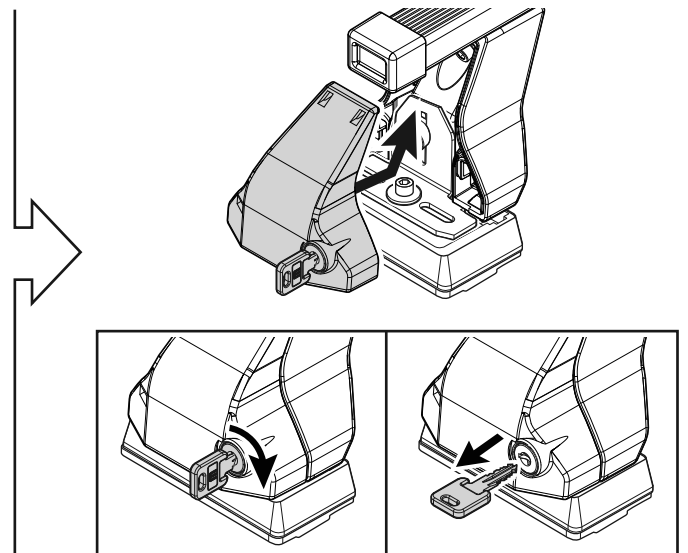
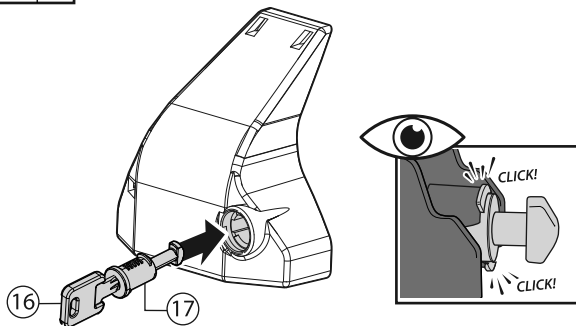
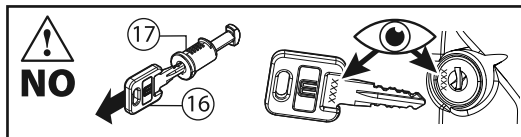
X4


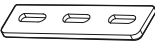






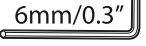
N.	Q.
13	4
15	4


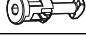
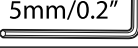





8 - OPTIONAL KIT 00008480000

N.	Q.
16 XXXX	2
17	4



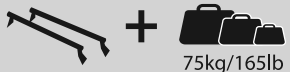

FIXING KIT			
N.	(IT) Ricambi (A Richiesta) (EN) Spare Parts (Made to order) (FR) Pièces de rechange (Sur commande) (DE) E Teile (auf Anfrage) (ES) Piezas de recambio (Previa solicitud)	Q.	Codice-Code-Código
2	 A1	4	700032800000
3		4	700032900000
4	 M8x40	4	
5		4	700031700000
6	 Ø8x14	4	
7	 XxY	4	
8	 MZxY	4	700033000000
9		4	
10	 6mm/0.3"	1	700023700000

MAIN KIT			
N.	(IT) Ricambi (A Richiesta) (EN) Spare Parts (Made to order) (FR) Pièces de rechange (Sur commande) (DE) E Teile (auf Anfrage) (ES) Piezas de recambio (Previa solicitud)	Q.	Codice-Code-Código
12		4	700028200000
13		4	700025300000
14	 5mm/0.2"	1	700025000000
15		1	700046600000
18		1	700046500000
19		4	700046400000

OPTIONAL KIT 000084800000		
N.		Q.
16	 XXXX	2
17		4

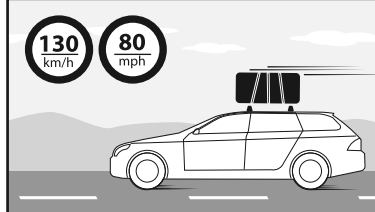
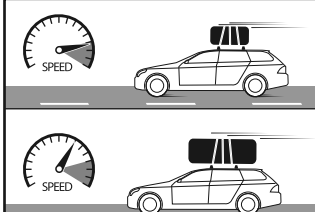
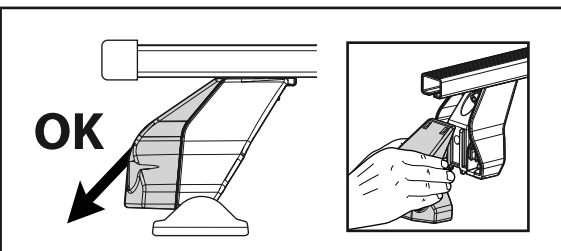
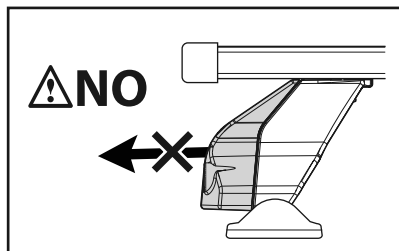
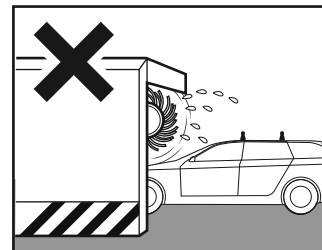
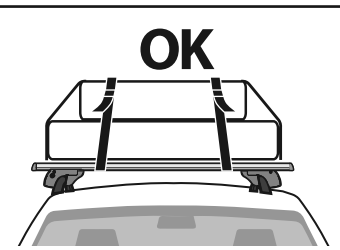
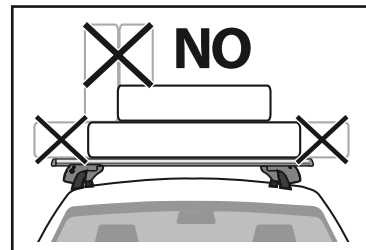
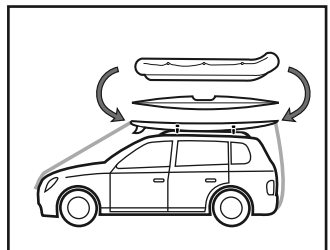
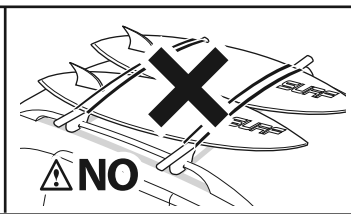
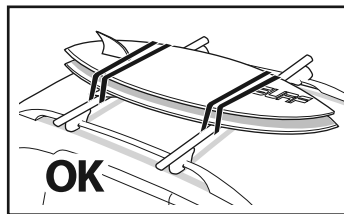
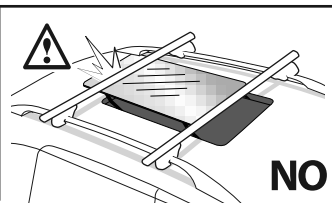
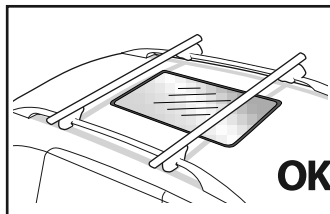


MAX LOADING =

 +  75kg/165lb

MAX 75kg 165 lb

130 km/h 80 mph

F.lli Menabò S.r.l.
Via 8 Marzo, 3 -Z.I. Corte Tegge
42025 Cavriago (RE) ITALY
customer@flli-menabo.it
www.menabocaraccessories.com

Product registration EU:

IT) eu.menabocaraccessories.com/ita/product-support-ita
EN) eu.menabocaraccessories.com/eng/product-support-eng
DE) eu.menabocaraccessories.com/deu/product-support-deu
FR) eu.menabocaraccessories.com/fra/product-support-fra
ES) eu.menabocaraccessories.com/esp/product-support-esp

Product registration US/CA:

EN) america.menabocaraccessories.com/en/product-support
FR) america.menabocaraccessories.com/fr/support-produit
ES) america.menabocaraccessories.com/es/soporte-de-producto

Cod.Istr. 500026800002
Data 29/08/2022

www.menabocaraccessories.com

Name _____
Surname _____
Email _____
Telephone _____
Serial number _____
Product name _____

Sign in